



installation guide

Bathtub

Table of Contents

Before you begin	p.3
Bathtub installation	
• Freestanding	
Models: BC 0401, BC 0801, BC 0802, BC 0803, BOV 01-62, BOV 01-66, BOV03, BBE 01, BBE 02, BTP 01, BCR 01 BWA01, BST01, BCL01, BCLB01	p.5 p.5 p.5
Models: BC 0101, BC 1001, BC 1101-L, BC 1101-R, BC 1201-L, BC 1201-R, BC 1401-L, BC1401-R, BOV 02	p.6 p.6
• Peninsular	
Models: BC 0102, BC 0202, BC 1002, BC 1102-L, BC 1102-R, BC 1202-L, BC 1202-R, BC 1402-L, BC1402-R	p.7 p.7
Models: BC 0302, BC 0402	p.8
Models: BC 0502, BC 0902	p.14, 16
• Corner	
Left, models: BC 0104, BC 0204, BC 1004, BC 1104-L, BC 1104-R, BC 1204-L, BC 1204-R, BC 1404-L, BC 1404-R BC 0304, BC 0404 BC 0504 BC 0904	p.9 p.9 p.10 p.15, 16
Right, models: BC 0105, BC 0205, BC 1005, BC 1105-L, BC 1105-R, BC 1205-L, BC 1205-R, BC 1405-L, BC 1405-R BC 0305, BC 0405 BC 0505, BC 0905	p.9 p.9 p.10 p.15, 16
• Recess	
Models: BC 0106, BC 0206, BC 1006, BC 1106-L, BC 1106-R, BC 1206-L, BC 1206-R, BC 1406-L, BC 1406-R	p.11, 12 p.11, 12
Models: BC 0306, BC 0406	p.11, 13
Models: BC 0506, BC 0906	p.15, 16
• Podium models	
Models: BC 0501, BC 0901	p.14, 16
• Tap drilling instructions	p.17
• Cleaning guide	p.18
• Warranty	p.19

BEFORE YOU BEGIN

Your choice is a testimonial to your excellent taste. Thank you for choosing from among WETSTYLE's quality line of products. We recommend that you carefully read this installation guide to ensure your bathtub's proper operation and reliability for many years to come.

TOOLS AND EQUIPMENT



Protective glasses



Drill and bits



Measuring tape



Paper pencil



Level



Silicone Caulking



Hammer



Pipe cutter



ABS pipe glue



Saw



- THE BATHTUB IS MADE OF OUR PROPRIETARY MATERIAL CALLED WETMAR BIO™. THIS IS A MIXTURE OF BIO BASED RESIN AND CRUSHED MINERAL STONE. DEPENDING ON THE MODEL, THE TUB'S WEIGHT MAY VARY BETWEEN 55 AND 140 KILOS (120 AND 300 POUNDS). WE RECOMMEND THAT THE INSTALLATION BE DONE BY 2 PEOPLE, AS A SECURITY PRECAUTION. ALSO, MAKE SURE TO ADOPT THE PROPER POSTURE WHEN LIFTING THE TUB.
- ADHERE TO ALL LOCAL BUILDING AND PLUMBING CODES. THE DIAGRAMS IN THIS GUIDE ARE NOT CONSTRUCTION PLANS; THEY ARE VISUAL AIDS.
- 1 ½" P TRAP IS RECOMMENDED FOR INSTALLATION. THE USE OF A 2" P-TRAP LOCATED MORE THAN 12" BENEATH THE TUB MAY CAUSE EXCESSIVE NOISE LEVELS UPON DRAINING AND IS NOT RECOMMENDED. WETSTYLE HAS A DRAIN SOLUTION FOR INSTALLATION REQUIRING A 2" P TRAP THAT IS LOCATED MORE THAN 15" BENEATH THE TUB THAT MAY BE APPLICABLE ON COMMERCIAL PROJECTS. PLEASE CONTACT WETSTYLE CUSTOMER SERVICE FOR REFERENCE.

ADVANTAGES OF THE WETSTYLE PLUG & BATHE™ CONNECTION SYSTEM

↓ Installation time and cost

Reduces installation time and overall cost of installation – this connection allows complete installation from above precluding the need for opening up the floor from underneath saving labour time, materials and clean up.

↑ Installation possibilities

Increases installation possibilities – previously difficult to plumb environments such as concrete slab floors, condos and apartments, and basement environments are now more easily installed

↑ Ease of serviceability

Increases ease of serviceability – to service the product the plumber can now simply unscrew the drain to remove the tub to check on status of connections underneath.

↑ Water out-take rate

Higher rate of water out-take than traditional overflow models

↑ Works with all local plumbing codes (ABS, PVC, Copper)

HOW IT WORKS

1. Plumber installs roughs into the floor (PVC, ABS, or Copper) centering connections to center of tub drain
2. Install gasket (supplied with Pop Up drain kit included with tub) onto rough installed in step 1
3. Set tub down over gasket, apply plumber's putty to drain waste basket, screw in pop up drain kit
4. You're Plug'd and ready to Bathe!

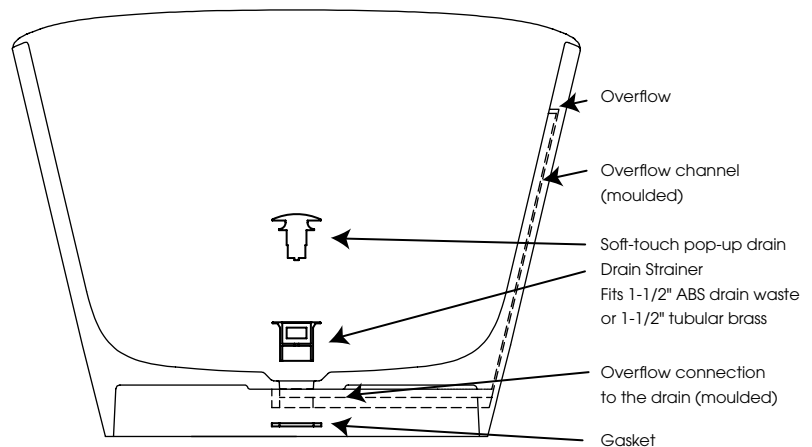


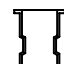
WETSTYLE Plug & Bathe™ overflow and drain connection system

...the Plumber's new best friend

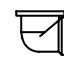
Some say that the installation and serviceability of freestanding tubs with an integrated overflow can be difficult and possible only in environments where there is access to the plumbing connections from below.


The WETSTYLE is the Plug & Bathe™ overflow and plumbing connection system, a market first, enables complete installation and serviceability of freestanding bathtubs with integrated overflow 100% from above.



 1-1/2" ABS Direct vertical drain waste fitting (copper/brass option also available)

- or -

 1-1/2" ABS 90° Elbow drain waste fitting (copper/brass option also available)

INSTALLATION GUIDE – FREESTANDING 

Models: BC 0401, BC 0801, BC 0802, BC 0803, BOV 01-62, BOV 01-66, BBE 01, BBE 02, BTP 01, BCR 01, BWA01, BST01, BCL01 and BCLB01

1. Decide exactly where you wish to install the bathtub.
2. Install the basic plumbing components: water inlet and floor drain. These tub models **require a vertical plumbing connection** from the floor.

IMPORTANT: A horizontal connection is only possible if the side wall of the bathtub is pierced, for models BC 0803, BOV 01-62, BOV 01-66, BBE 01, BBE 02, BTP 01 and BCR 01

To drill holes in the bathtub for installing the faucet or a horizontal plumbing connection, see the section *Tap drilling Instructions, p. 17.*

IMPORTANT: The faucet cannot be installed on the bathtub. It must be mounted to the wall or to the column faucets. Read the manufacturer’s instructions for installation details.

Plug & Bathe™ connection system with slot design overflow and soft toe touch drain
 The built-in overflow is pre-installed by WETSTYLE.

Valid for all bathtubs with Plug & Bathe™ connection system with slot design overflow and soft toe drain

WETSTYLE Plug & Bathe™ overflow and drain connection system includes:



Soft-touch pop-up drain, for built-in overflow. Fits both 1-1/2" ABS drain waste and 1-1/2" tubular brass



1-1/2" ABS Direct vertical drain waste fitting (copper/brass option also available)



1-1/2" ABS 90° Elbow drain waste fitting (copper/brass option also available)

View of bathtub’s underside



Direct vertical drain waste fitting or 90° elbow drain waste fitting

ATTENTION: The drain on the bathtub model BC 0801, BC 11, BC 12 and BC 14 are positioned lower than the tub base. To avoid damaging the pipes: plan for the necessary free space underneath the floor before installing the bathtub.

3. Use the 4 levelers supplied to ensure the tub is level. The 4 levelers must touch the ground to ensure that the tub will not shift or move. When adjusting the levelers, allow a slight clearance (1/8") between the finished floor and the apron.



Note: Use a level to ensure accuracy.

4. Connect the bathtub drain to the floor drain. Hook up the water to the faucet.
Check that all connections are waterproof.
5. Do a silicone joint pressure seal between the base of the bathtub and the floor. **The sealer absolutely must penetrate thoroughly beneath the rim of the apron.** This will ensure that no **water seeps** underneath the bathtub, while also **supporting** the tub apron.

INSTALLATION GUIDE - FREESTANDING

Models: BC 0101, BC 1001, BC 1101, BC 1201, BC 1401 and BOV 02

1. Decide exactly where you wish to install the bathtub.
2. Install the basic plumbing components: water inlet and floor drain. These tub models **require a vertical plumbing connection** from the floor. A horizontal connection is only possible if the side wall of the bathtub is pierced.

Plug & Bathe™ connection system with slot design overflow and soft toe touch drain installation

Overflow is pre-installed at the factory. Please refer to p.5 of this installation guide for pictures.

Standard drain & overflow installation (Geberit type)

Install the bathtub drain, overflow pipe and faucet. Read the manufacturer's instructions included with the accessories. For easier installation of accessories, turn the tub on its side. **Before the final installation phases, check that all connections are waterproof.**

*To drill holes in the bathtub for installing the faucet or a horizontal plumbing connection, see the section **Tap drilling Instructions**, p.17.*

3. Use the 4 levelers supplied to ensure the tub is level. The 4 levelers must touch the ground to ensure that the tub will not shift or move. When adjusting the levelers, allow a slight clearance (1/8") between the ground and the apron.



Note: Use a level to ensure accuracy.

4. Connect the bathtub drain to the floor drain. Hook up the water to the faucet. The access panel behind the tub makes connecting the water easier. **Check that all connections are waterproof.**
5. Do a silicone joint pressure seal between the base of the bathtub and the floor. **The sealer absolutely must penetrate thoroughly beneath the rim of the apron.** This will ensure that no **water seeps** underneath the bathtub, while also **supporting** the tub apron.

INSTALLATION GUIDE - PENINSULAR



Models: BC 0102, BC 0202, BC 1002, BC 1102-L, BC 1102-R, BC 1202-L, BC 1202-R, BC 1402-L and BC 1402-R

1. Decide exactly where you wish to install the bathtub.
2. Install the basic plumbing components: water inlet and floor drain. These tub models **require a vertical plumbing connection** from the floor.

Plug & Bathe™ connection system with slot design overflow and soft toe touch drain installation

Overflow is pre-installed at the factory. Please refer to p.5 of this installation guide for pictures.

Standard drain & overflow installation (Geberit type)

Install the bathtub drain, overflow pipe and faucet. Read the manufacturer's instructions included with the accessories. For easier installation of accessories, turn the tub on its side. **Before the final installation phases, check that all connections are waterproof.**

*To drill holes in the bathtub for installing the faucet or a horizontal plumbing connection, see the section **Tap drilling Instructions, p.17.***

3. Use the 4 levelers supplied to ensure the tub is level. The 4 levelers must touch the ground to ensure that the tub will not shift or move. When adjusting the levelers, allow a slight clearance (1/8") between the ground and the apron.



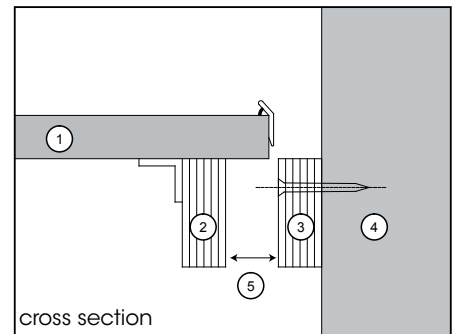
Note: Use a level to ensure accuracy.

4. IMPORTANT: BC 0202

A rear mounting bracket is included with these models. Attach the bracket horizontally to the existing structure at the requisite height.

1. Rear deck of tub
2. Rear reinforcement
3. Rear mounting bracket
4. Existing vertical structure
5. Set the back of the bathtub on the bracket

ATTENTION: To keep the back ledge from bending and prevent water accumulation, it is essential to install the bracket provided or a comparable one.

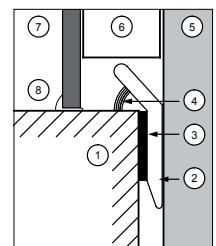


5. Tile flange:

Place the bathtub so that the tile flange rests against the existing wall structure. Install the gypsum plasterboard or cement panels so that they just touch the tile flange.

1. Deck of tub
2. Tile flange *
3. Double-sided tape *
4. Silicone *
5. Existing vertical structure
6. Gypsum or cement panel
7. Finishing
8. Pressure seal

* Factory-installed by WETSTYLE



6. Connect the bathtub drain to the floor drain. Hook up the water to the faucet. **Check that all connections are waterproof.**
7. Do a silicone joint pressure seal between the base of the bathtub and the floor. **The sealer absolutely must penetrate thoroughly beneath the rim of the apron.** This will ensure that no **water seeps** underneath the bathtub, while also **supporting** the tub apron.

INSTALLATION GUIDE - PENINSULAR



Models: BC 0302 and BC 0402

1. Decide exactly where you wish to install the bathtub.
2. Install the basic plumbing components: water inlet and floor drain. These tub models **require a vertical plumbing connection** from the floor.

Plug & Bathe™ connection system with slot design overflow and soft toe touch drain installation
 Overflow is pre-installed at the factory. Please refer to p.5 of this installation guide for pictures.

Standard drain & overflow installation (Geberit type)

Install the bathtub drain, overflow pipe and faucet. Read the manufacturer's instructions included with the accessories. For easier installation of accessories, turn the tub on its side. **Before the final installation phases, check that all connections are waterproof.**

*To drill holes in the bathtub for installing the faucet or a horizontal plumbing connection, see the section **Tap drilling Instructions**, p.17.*

IMPORTANT: BC 0402 -To install the drain, check the section entitled **INSTALLATION GUIDE - FREESTANDING** on page 5.

IMPORTANT: BC 0302, BC 0402 The faucet cannot be installed on the bathtub. It must be mounted to the wall. Read the manufacturer's instructions for installation details.

3. Use the 4 levelers supplied to ensure the tub is level. The 4 levelers must touch the ground to ensure that the tub will not shift or move. When adjusting the levelers, allow a slight clearance (1/8") between the ground and the apron.



Note: Use a level to ensure accuracy.

4. IMPORTANT: BC 0302
 A rear mounting bracket is included with this model. Attach the bracket horizontally to the existing structure at the requisite height.

1. Rear deck of tub
2. Rear reinforcement
3. Rear mounting bracket
4. Existing vertical structure
5. Set the back of the bathtub on the bracket

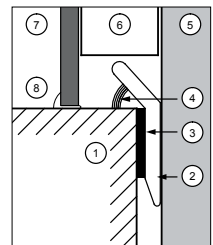
ATTENTION: To keep the back ledge from bending and prevent water accumulation, it is essential to install the bracket provided or a comparable one.

cross section

5. **Tile flange:**
 Place the bathtub so that the tile flange rests against the existing wall structure. Install the gypsum plasterboard or cement panels so that they just touch the tile flange.

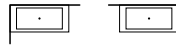
1. Deck of tub
2. Tile flange *
3. Double-sided tape *
4. Silicone *
5. Existing vertical structure
6. Gypsum or cement panel
7. Finishing
8. Pressure seal

* Factory-installed by WETSTYLE



6. Connect the bathtub drain to the floor drain. Hook up the water to the faucet. **Check that all connections are waterproof.**
7. Do a silicone joint pressure seal between the base of the bathtub and the floor. **The sealer absolutely must penetrate thoroughly beneath the rim of the apron.** This will ensure that no **water seeps** underneath the bathtub, while also **supporting** the tub apron.

INSTALLATION GUIDE - CORNER



LEFT - Models: BC 0104, BC 0204, BC 1004, BC 1104-L, BC 1104-R, BC 1204-L, BC 1204-R, BC 1404-L and BC 1404R

RIGHT - Models: BC 0105, BC 0205, BC 1005, BC 1105-L, BC 1105-R, BC 1205-L, BC 1205-R, BC 1405-L and BC 1405-R

1. Decide exactly where you wish to install the bathtub.
2. Install the basic plumbing components: water inlet and floor drain. These tub models **require a vertical plumbing connection** from the floor.

Plug & Bathe™ connection system with slot design overflow and soft toe touch drain installation

Overflow is pre-installed at the factory. Please refer to p.5 of this installation guide for pictures.

Standard drain & overflow installation (Geberit type)

Install the bathtub drain, overflow pipe and faucet. Read the manufacturer's instructions included with the accessories. For easier installation of accessories, turn the tub on its side. **Before the final installation phases, check that all connections are waterproof.**

*To drill holes in the bathtub for installing the faucet or a horizontal plumbing connection, see the section **Tap drilling Instructions**, p. 17.*

3. Use the 4 levelers supplied to ensure the tub is level. The 4 levelers must touch the ground to ensure that the tub will not shift or move. When adjusting the levelers, allow a slight clearance (1/8") between the ground and the apron.



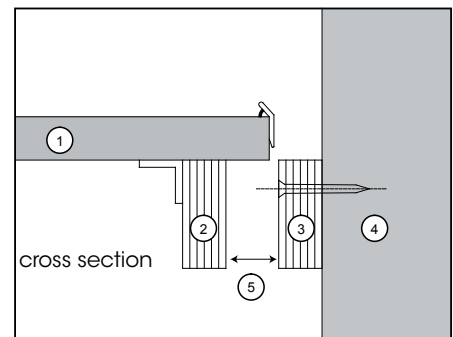
Note: Use a level to ensure accuracy.

4. IMPORTANT: BC 0204, BC 0205

A rear mounting bracket is included with these models. Attach the bracket horizontally to the existing structure at the requisite height.

1. Rear deck of tub
2. Rear reinforcement
3. Rear mounting bracket
4. Existing vertical structure
5. Set the back of the bathtub on the bracket

ATTENTION: To keep the back ledge from bending and prevent water accumulation, it is essential to install the bracket provided or a comparable one.

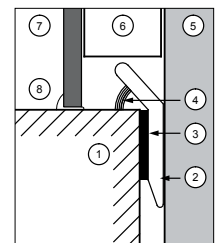


5. Tile flange:

Place the bathtub so that the tile flange rests against the existing wall structure. Install the gypsum plasterboard or cement panels so that they just touch the tile flange.

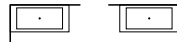
1. Deck of tub
2. Tile flange *
3. Double-sided tape *
4. Silicone *
5. Existing vertical structure
6. Gypsum or cement panel
7. Finishing
8. Pressure seal

* Factory-installed by WETSTYLE



6. Connect the bathtub drain to the floor drain. Hook up the water to the faucet. **Check that all connections are waterproof.**
7. Do a silicone joint pressure seal between the base of the bathtub and the floor. **The sealer absolutely must penetrate thoroughly beneath the rim of the apron.** This will ensure that no **water seeps** underneath the bathtub, while also **supporting** the tub apron.

INSTALLATION GUIDE - CORNER



LEFT - Models: BC 0304 and BC 0404

RIGHT - Models: BC 0305 and BC 0405

1. Decide exactly where you wish to install the bathtub.
2. Install the basic plumbing components: water inlet and floor drain. These tub models **require a vertical plumbing connection** from the floor.

Plug & Bathe™ connection system with slot design overflow and soft toe touch drain installation
 Overflow is pre-installed at the factory. Please refer to p.5 of this installation guide for pictures.

Standard drain & overflow installation (Geberit type)

Install the bathtub drain, overflow pipe and faucet. Read the manufacturer's instructions included with the accessories. For easier installation of accessories, turn the tub on its side. **Before the final installation phases, check that all connections are waterproof.**

IMPORTANT: BC 0404, BC 0405 - To install the drain, check the section entitled INSTALLATION GUIDE - FREESTANDING on page 5.

IMPORTANT: BC 0304, BC 0404 et BC 0305, BC 0405 - The faucet cannot be installed on the bathtub. It must be mounted to the wall. Read the manufacturer's instructions for installation details.

3. Use the 4 levelers supplied to ensure the tub is level. The 4 levelers must touch the ground to ensure that the tub will not shift or move. When adjusting the levelers, allow a slight clearance (1/8") between the ground and the apron.



Note: Use a level to ensure accuracy.

4. IMPORTANT: BC 0304 and BC 0305
 A rear mounting bracket is included with this model. Attach the bracket horizontally to the existing structure at the requisite height.

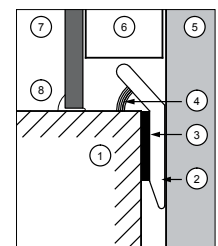
1. Rear deck of tub
2. Rear reinforcement
3. Rear mounting bracket
4. Existing vertical structure
5. Set the back of the bathtub on the bracket

ATTENTION : To keep the back ledge from bending and prevent water accumulation, it is essential to install the bracket provided or a comparable one.

5. **Tile flange:**
 Place the bathtub so that the tile flange rests against the existing wall structure. Install the gypsum plasterboard or cement panels so that they just touch the tile flange.

1. Deck of tub
2. Tile flange *
3. Double-sided tape *
4. Silicone *
5. Existing vertical structure
6. Gypsum or cement panel
7. Finishing
8. Pressure seal

* Factory-installed by WETSTYLE

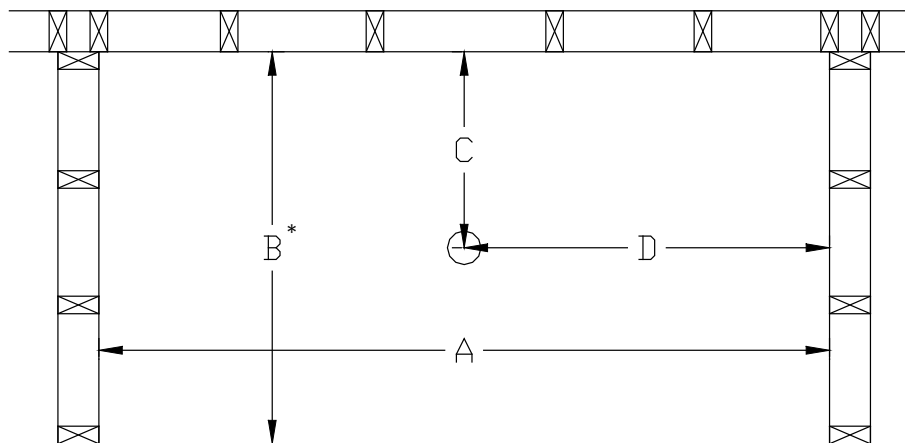


6. Connect the bathtub drain to the floor drain. Hook up the water to the faucet. **Check that all connections are waterproof.**
7. Do a silicone joint pressure seal between the base of the bathtub and the floor. **The sealer absolutely must penetrate thoroughly beneath the rim of the apron.** This will ensure that no **water seeps** underneath the bathtub, while also **supporting** the tub apron.

INSTALLATION GUIDE - RECESS 

Models: BC 0106, BC 0206, BC 0306 BC 0406, BC 1006, BC 1106-L, BC 1106-R, BC 1206-L, BC 1206-R, BC 1406-L and BC 1406-R

Partition construction guide for a recessed installation. This diagram is not a building plan. It should only be used for dimensioning purposes. You can use other building techniques, depending on your specific needs.



The dimensions in the table do not include the gypsum plasterboard or cement panels.

* The dimensions in column B may vary depending on customer preferences. Those indicated above represent the width of the bathtubs, plus 5".

MODEL	A	B*	C	D
BC 0106	72-1/4"	45"	20-1/8"	36-1/8"
BC 0206	72-1/4"	41"	21-1/8"	36-1/8"
BC 0306	72-1/4"	36"	16-1/8"	36-1/8"
BC 0406	62-1/4"	35"	15-1/8"	31-1/8"
BC 1006	66-1/4"	41"	18-1/8"	33-1/8"
BC 1106-L	60-1/4"	37"	16-1/8"	51-1/8"
BC 1106-R	60-1/4"	37"	16-1/8"	9-1/8"
BC 1206-L	66-1/4"	37"	16-1/8"	57-1/8"
BC 1206-R	66-1/4"	37"	16-1/8"	9-1/8"
BC 1406-L	60-1/4"	35"	15-1/8"	51-1/8"
BC 1406-R	60-1/4"	35"	15-1/8"	9-1/8"

INSTALLATION GUIDE - RECESS

Models: BC 0106, BC 0206, BC 1006, BC 1106-L, BC 1106-R, BC 1206-L, BC 1206-R, BC 1406-L and BC 1406-R

1. Decide exactly where you wish to install the bathtub.
2. Install the basic plumbing components: water inlet and floor drain. These tub models **require a vertical plumbing connection** from the floor.

Plug & Bathe™ connection system with slot design overflow and soft toe touch drain installation

Overflow is pre-installed at the factory. Please refer to p.5 of this installation guide for pictures.

Standard drain & overflow installation (Geberit type)

Install the bathtub drain, overflow pipe and faucet. Read the manufacturer's instructions included with the accessories. For easier installation of accessories, turn the tub on its side. **Before the final installation phases, check that all connections are waterproof.**

*To drill holes in the bathtub for installing the faucet or a horizontal plumbing connection, see the section **Tap drilling Instructions**, p.17.*

3. Use the 4 levelers supplied to ensure the tub is level. The 4 levelers must touch the ground to ensure that the tub will not shift or move. When adjusting the levelers, allow a slight clearance (1/8") between the ground and the apron.



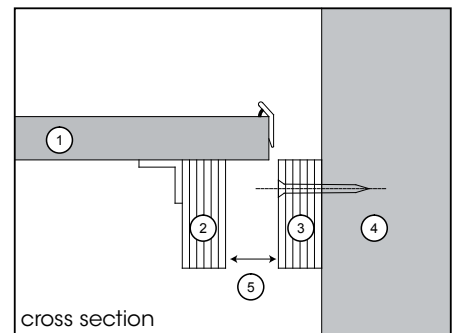
Note: Use a level to ensure accuracy.

4. IMPORTANT: BC 0206

A rear mounting bracket is included with these models. Attach the bracket horizontally to the existing structure at the requisite height.

1. Rear deck of tub
2. Rear reinforcement
3. Rear mounting bracket
4. Existing vertical structure
5. Set the back of the bathtub on the bracket

ATTENTION: To keep the back ledge from bending and prevent water accumulation, it is essential to install the bracket provided or a comparable one.

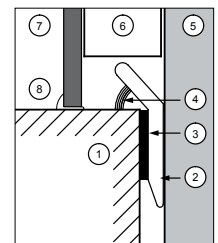


5. Tile flange:

Place the bathtub so that the tile flange rests against the existing wall structure. Install the gypsum plasterboard or cement panels so that they just touch the tile flange.

1. Deck of tub
2. Tile flange *
3. Double-sided tape *
4. Silicone *
5. Existing vertical structure
6. Gypsum or cement panel
7. Finishing
8. Pressure seal

* Factory-installed by WETSTYLE



6. Connect the bathtub drain to the floor drain. Hook up the water to the faucet. **Check that all connections are waterproof.**
7. Do a silicone joint pressure seal between the base of the bathtub and the floor. **The sealer absolutely must penetrate thoroughly beneath the rim of the apron.** This will ensure that no **water seeps** underneath the bathtub, while also **supporting** the tub apron.

INSTALLATION GUIDE - RECESS



Models: BC 0306 and BC 0406

1. Decide exactly where you wish to install the bathtub. Build the partitions depending on the bathtub model chosen. For inner partition dimensions, see the table on the previous page.
2. Install the basic plumbing components: water inlet and floor drain. These tub models **require a vertical plumbing connection** from the floor.

Plug & Bathe™ connection system with slot design overflow and soft toe touch drain installation

Overflow is pre-installed at the factory. Please refer to p.5 of this installation guide for pictures.

Standard drain & overflow installation (Geberit type)

Install the bathtub drain, overflow pipe and faucet. Read the manufacturer's instructions included with the accessories. For easier installation of accessories, turn the tub on its side. **Before the final installation phases, check that all connections are waterproof.**

! IMPORTANT: BC 0306 and BC 0406 - The faucet cannot be installed on the bathtub. It must be mounted to the wall. Read the manufacturer's instructions for installation details.

3. Use the 4 levelers supplied to ensure the tub is level. The 4 levelers must touch the ground to ensure that the tub will not shift or move. When adjusting the levelers, allow a slight clearance (1/8") between the ground and the apron.



Note: Use a level to ensure accuracy.

! 4. IMPORTANT: BC 0306 and BC 0306
A rear mounting bracket is included with these models. Attach the bracket horizontally to the existing structure at the requisite height.

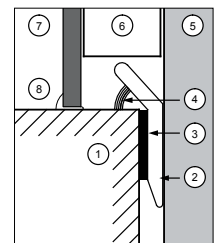
1. Rear deck of tub
2. Rear reinforcement
3. Rear mounting bracket
4. Existing vertical structure
5. Set the back of the bathtub on the bracket

ATTENTION: To keep the back ledge from bending and prevent water accumulation, it is essential to install the bracket provided or a comparable one.

5. **Tile flange:**
Place the bathtub so that the tile flange rests against the existing wall structure. Install the gypsum plasterboard or cement panels so that they just touch the tile flange.

1. Deck of tub
2. Tile flange *
3. Double-sided tape *
4. Silicone *
5. Existing vertical structure
6. Gypsum or cement panel
7. Finishing
8. Pressure seal

* Factory-installed by WETSTYLE



6. Connect the bathtub drain to the floor drain. Hook up the water to the faucet. **Check that all connections are waterproof.**
7. Do a silicone joint pressure seal between the base of the bathtub and the floor. **The sealer absolutely must penetrate thoroughly beneath the rim of the apron.** This will ensure that no **water seeps** underneath the bathtub, while also **supporting** the tub apron.

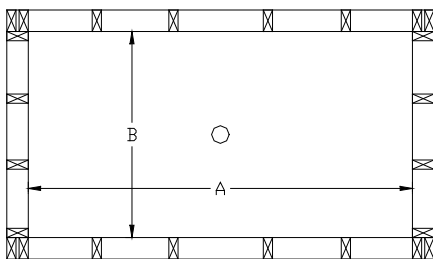
INSTALLATION GUIDE - DROP-IN 

Models: BC 0501, BC 0502, BC 0504, BC 0505, BC 0506, BC 0901, BC 0902, BC 0904, BC 0905 and BC 0906

1. Decide exactly where you wish to install the bathtub.
2. Build the podium partitions depending on the bathtub model chosen. For minimum inner partition dimensions, see the table below. We strongly recommend planning for the installation of an access panel (to plumbing) when building the podium.

PODIUM 

Models: BC 0501 and BC 0901

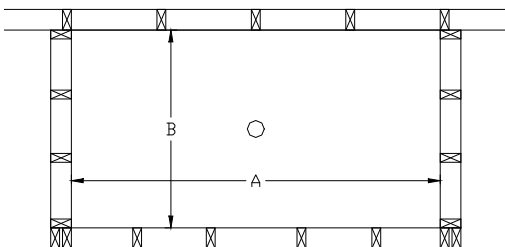


MODEL	A	B
BC 0501	60"	28"
BC 0901	52-1/2"	25"

The dimensions in the table are the minimums required to enable installation of the tub. They may vary based on customer requirements.

PENINSULAR 

Models: BC 0502 and BC 0902



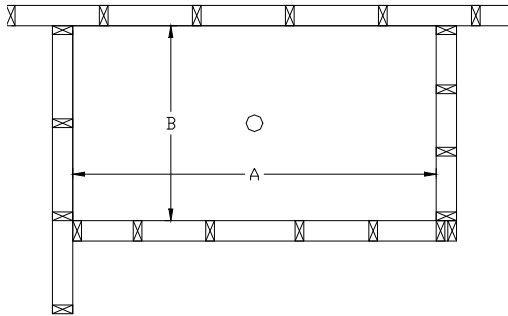
MODEL	A	B
BC 0502	60"	28"
BC 0902	52-1/2"	25"

The dimensions in the table are the minimums required to enable installation of the tub. They may vary based on customer requirements.

CORNER



LEFT - Models: BC 0504 and BC 0904
RIGHT - Models: BC 0505 and BC 0905



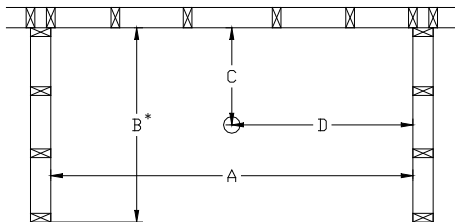
MODEL	A	B
BC 05	60"	28"
BC 09	52-1/2"	25"

The dimensions in the table are the minimums required to enable installation of the tub. They may vary based on customer requirements.

RECESS



Models: BC 0506 and BC 0906



MODEL	A	B*	C	D
BC 0506	72-1/4"	45"	20-1/8"	36-1/8"
BC 0906	60-1/4"	35"	16-1/8"	30-1/8"

The dimensions in the table do not include the gypsum plasterboard or cement panels.

*The dimensions in column B may vary depending on customer preferences. Those indicated above represent the width of the bathtubs, plus 5".

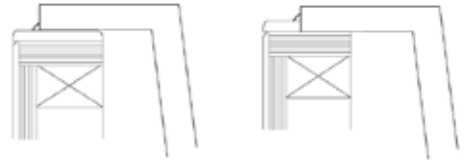
3. Install the basic plumbing components: water inlet and floor drain. These tub models **require a vertical plumbing connection** from the floor.
4. **Plug & Bathe™ connection system with slot design overflow and soft toe touch drain installation**
Overflow is pre-installed at the factory. Please refer to p.5 of this installation guide for pictures.

Standard drain & overflow installation (Geberit type)

Install the bathtub drain, overflow pipe and faucet. Read the manufacturer’s instructions included with the accessories. For easier installation of accessories, turn the tub on its side. **Before the final installation phases, check that all connections are waterproof.**

*To drill holes in the bathtub for installing the faucet or a horizontal plumbing connection, see the section **Tap drilling Instructions**, p.17.*

5. Place the bathtub within the frame so that its rims are properly seated on the frame. Once the tub is in place, make sure the levelers are properly sitting on the floor, so that the tub’s entire weight does not rest on the rims. This could damage your bathtub.



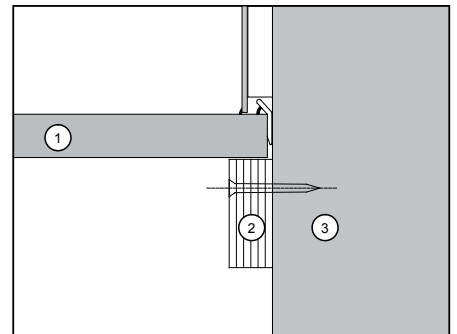
Note: Use a level to ensure accuracy.



6. **IMPORTANT: BC 05 and BC 09**
A mounting bracket must be installed with these models. Attach the bracket horizontally to the existing structure at the requisite height. Install on all sides of the tub that are against a wall.

1. Deck of tub
2. Deck reinforcement, use 3/4" plywood or 2x3 stud; not supplied
3. Existing vertical structure

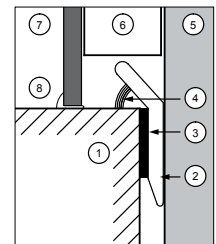
ATTENTION: To keep the surround ledge from bending and prevent water accumulation, it is essential to install such a bracket.



7. **Tile flange:**
Place the bathtub so that the tile flange rests against the existing wall structure. Install the gypsum plasterboard or cement panels so that they just touch the tile flange.

1. Deck of tub
2. Tile flange *
3. Double-sided tape *
4. Silicone *
5. Existing vertical structure
6. Gypsum or cement panel
7. Finishing
8. Pressure seal

* Factory-installed by WETSTYLE



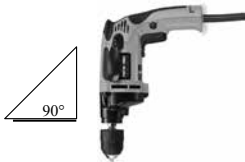
8. Connect the bathtub drain to the floor drain. Hook up the water to the faucet. **Check that all connections are waterproof.**
9. Do a silicone joint pressure seal between the bathtub and the finished surfaces.

TAP DRILLING INSTRUCTIONS



1. From a hole saw kit, select a 1-3/8" diameter bit to drill the hole.

2. Mark out the center of the hole to be drilled.



3. Install the bathtub on a stable surface. Make sure that you are in a comfortable working position.

4. Hold the drill perpendicular to the surface.

5. Make sure to apply light pressure when drilling. You may want to pull the drill out occasionally to remove any dust accumulation.

N.B. Material thickness is 3/4".

CLEANING GUIDE

All WETSTYLE products are manufactured with **WETMAR BiO™**; an ultra-smooth, non-porous material that helps keep grime and calcium deposits in check.

WETMAR BiO™ is ultra-easy to clean: after each use, simply wipe with a soft cloth to remove any surface dirt.

For standard cleaning of both glossy and matte finishes, we recommend using widely available cleaning products such as Mr. Clean, Fantastik, CIF, etc. The **matte finish** may occasionally require a mildly abrasive product.

Never use petroleum-based products when cleaning, i.e. paint thinners or other solvents, as they may damage the **WETMAR BiO™** surface. (Note: Personal hygiene products and cosmetics will NOT damage the surface.)

Standard Cleaning

WETMAR BiO™, True High Gloss™

Wipe surface with a soft cloth after each use.

Use a mild cleaning product such as Mr. Clean, Fantastik, CIF, etc.

Do not use abrasive products or cream cleansers.

WETMAR BiO™, matte finish

Wipe surface with a soft cloth after each use.

Use a mild cleaning product such as Mr. Clean, Fantastik, CIF, etc.

For more difficult stains, use a mildly abrasive cream cleanser such as Soft Scrub, Comet Soft Cleanser, Cream with Bleach or CIF.

Scratched Or Damaged Surfaces

To repair scratched or damaged surfaces, sand the area using 600-, 800- and 1200-grit sandpaper, beginning with the lower number (coarser) grit and then following with the higher number (finer) grit in ascending order. Finish by polishing the surface using a cloth and white polishing compound for automobiles.

Repairs

For more extensive repairs, send a photograph of your WETSTYLE product to our Customer Service Department (service@wetstyle.ca), who will inform you as to the most appropriate methods to use.

WARRANTY

WETSTYLE's warranty on **WETMAR BiO™ products** covers all defects in materials and manufacturing for a period of five years.

WETSTYLE's warranty on **furniture and accessories** covers all defects in materials and manufacturing for a period of one year.

This limited warranty, starting on the original purchase date, is only offered to the original purchaser who acquires the product directly from WETSTYLE or from its authorized dealers.

This limited warranty does not apply to cases in which a product was incorrectly installed, nor to damage due to negligence, misuse, thermal shock, cigarette burn, fire, natural catastrophes or other accidents.

This limited warranty does not extend to products purchased over the Internet from non authorized WETSTYLE distributors.

This limited warranty does not extend to products purchased from non authorized WETSTYLE distributors or sub-dealers.

WETSTYLE is not responsible for costs and claims that may arise from purchase of a product unsuited to the structure of the existing building.

Any transformation or alteration made to a WETSTYLE product automatically voids the warranty.

The manufacturer's warranty is limited to repair or replacement (with a product of equal value), provided the claim is made to an authorized dealer or directly to WETSTYLE within the warranty period. Labour costs and any other expenses entailed by replacement of a WETSTYLE product are not covered by the warranty.

WETSTYLE products are certified CSA B45.0, CSA B45.4, ANSI Z124.1 and ANSI A124.3.



www.WETSTYLE.CA - Montreal - Canada
Tel. 450.536.9000 - 1 888.536.9001 - Fax. 450.536.0202