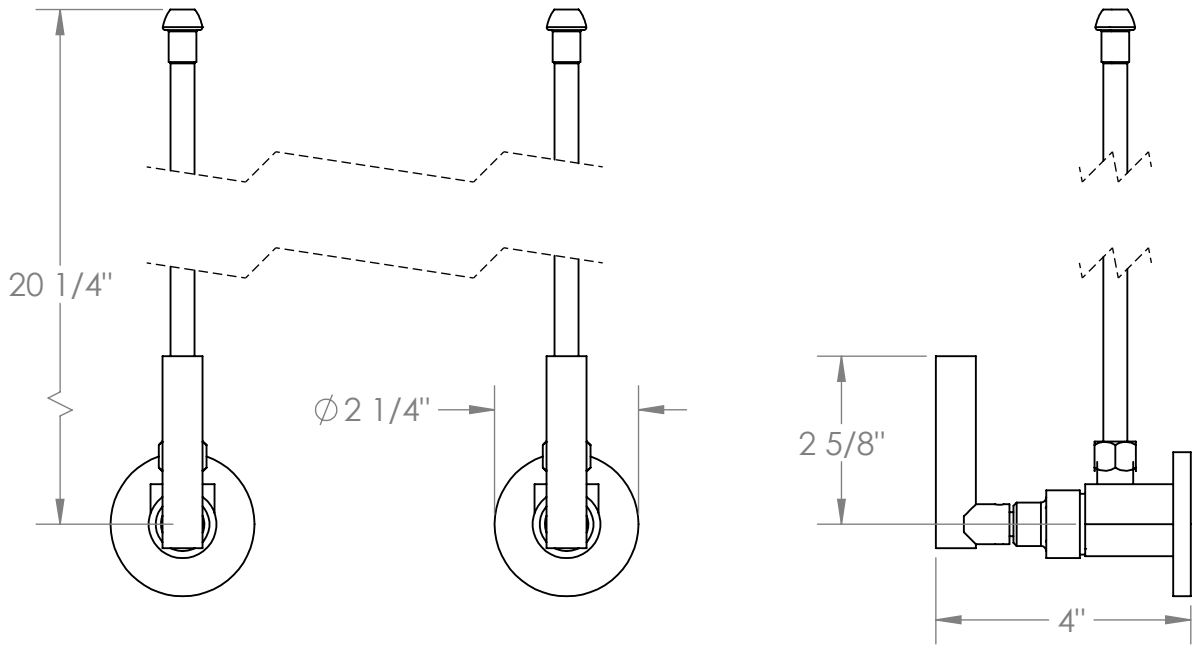


# 23-MAS2-L8

Lavatory Angle Stop Kit  
1/2" IPS x 3/8" OD Compression



Meets the applicable requirements of ASME A12.18.1-2005/CSA B125.1-05, entitled "Plumbing Supply Fittings"