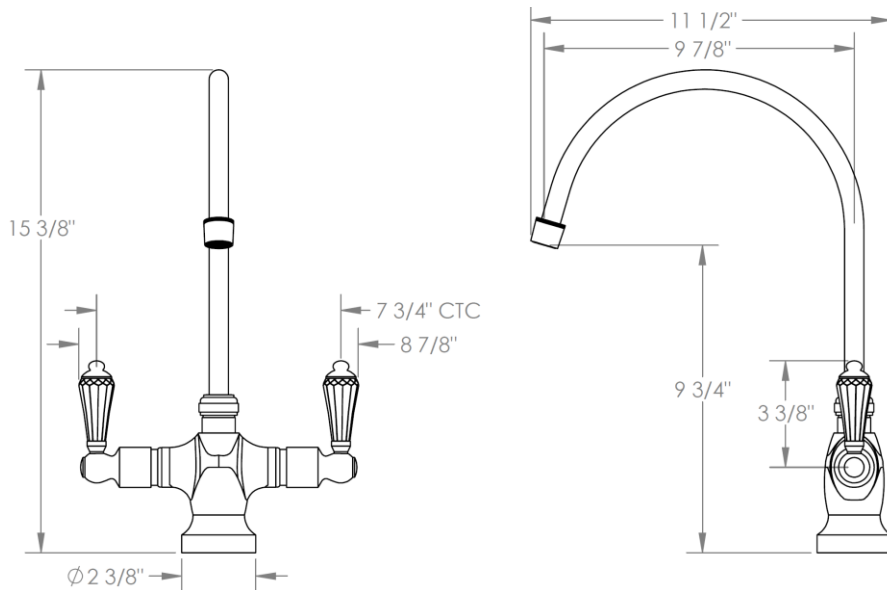


180-7.2-__

Deck Mounted 1 Hole Kitchen Faucet

Flow Rate: 1.75 GPM

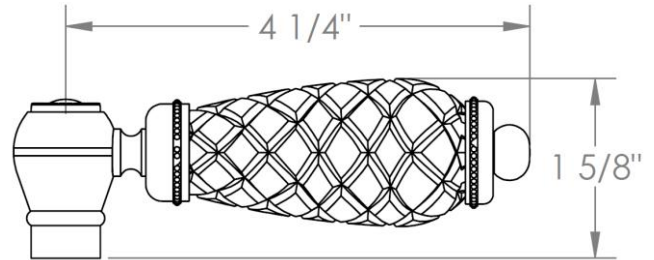
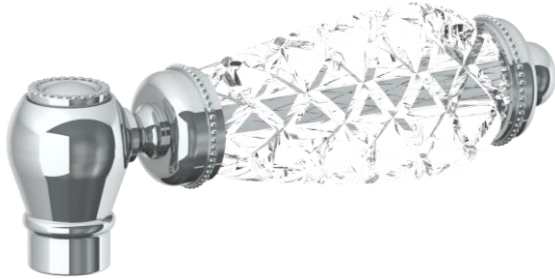


Meets the applicable requirements of ASME A112.18.1-2005/CSA B125.1-05, entitled "Plumbing Supply Fittings"

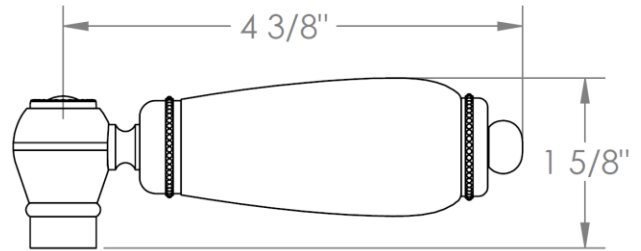
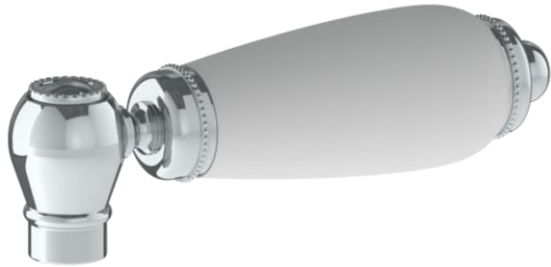
HANDLE TRIM OPTIONS

AA - VENICE

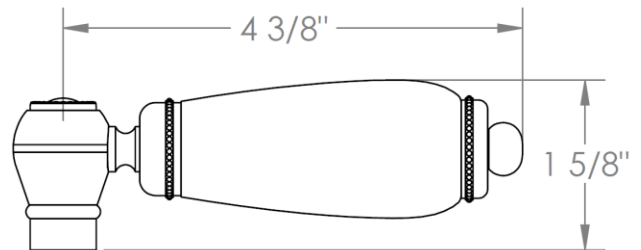
BB - GENOA



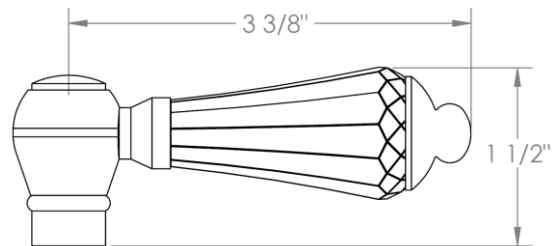
CC - POMPEI



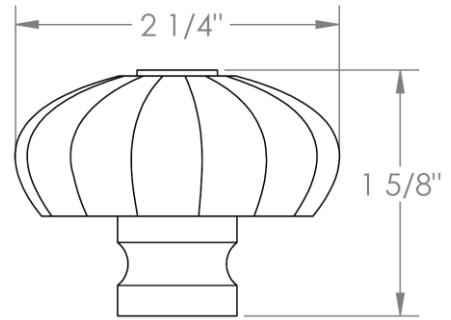
DD - NAPLES



SWU - FLORENCE



T - TUSCANY



U- BOLOGNA

