



T&S BRASS AND BRONZE WORKS, INC.
 2 Saddleback Cove / P.O. Box 1088
 Travelers Rest, SC 29690

Model No.
BL-4300 SERIES

Item No.

Travelers Rest, SC: 800-476-4103 • Simi Valley, CA: 800-423-0150 • Fax: 864-834-3518 • www.tsbrass.com

BL-4300-0	Turret w/ (2) Gas Stops @ 90°
BL-4300-01	Turret w/ (1) Gas Stop
BL-4300-02	Turret w/ (2) Gas Stops @ 180°

This Space for Architect/Engineer Approval

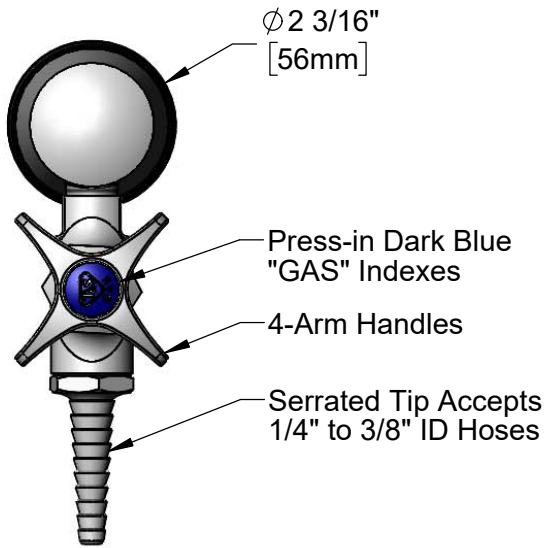
Job Name _____ Date _____

Model Specified _____ Quantity _____

Customer/Wholesaler _____

Contractor _____

Architect/Engineer _____



Notes:

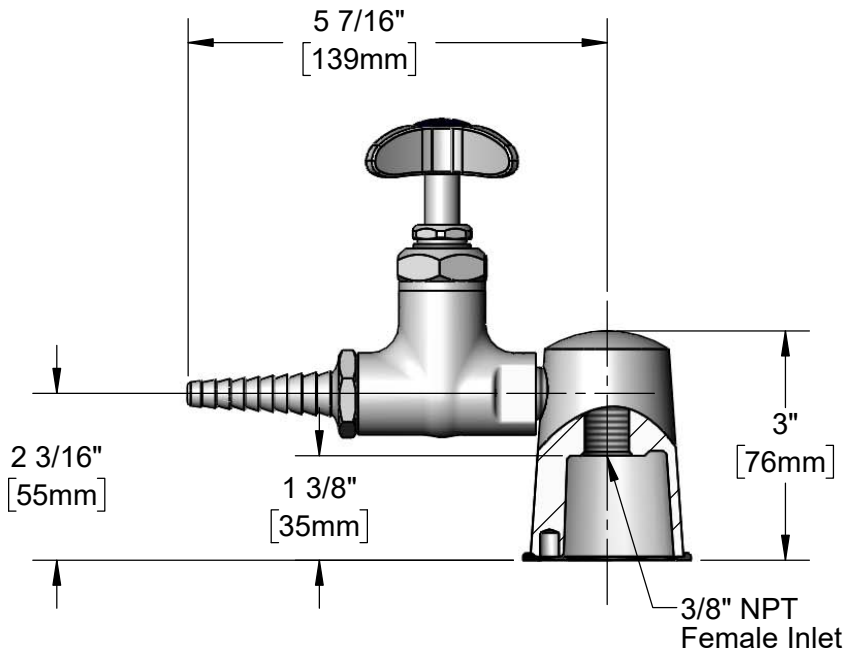
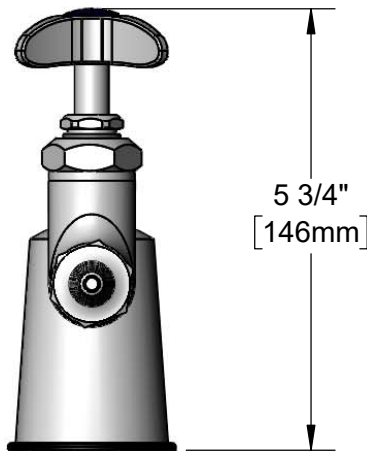
1. Natural Gas Pressure: 0.5 PSIG Max.
2. Air Pressure: 125 PSIG Max.
3. Vacuum: 30 Inches of Mercury Max.
4. Temperature Range: 32 °F - 125 °F



209L-AIR-NS
 Index(es)
 (Included)



209L-VAC-NS
 Index(es)
 (Included)



Product Specifications:
 Laboratory Turret with Gas Stop(s)

Product Compliance:
 ANSI Z21.15a / CSA 9.1a (Gas Valves)



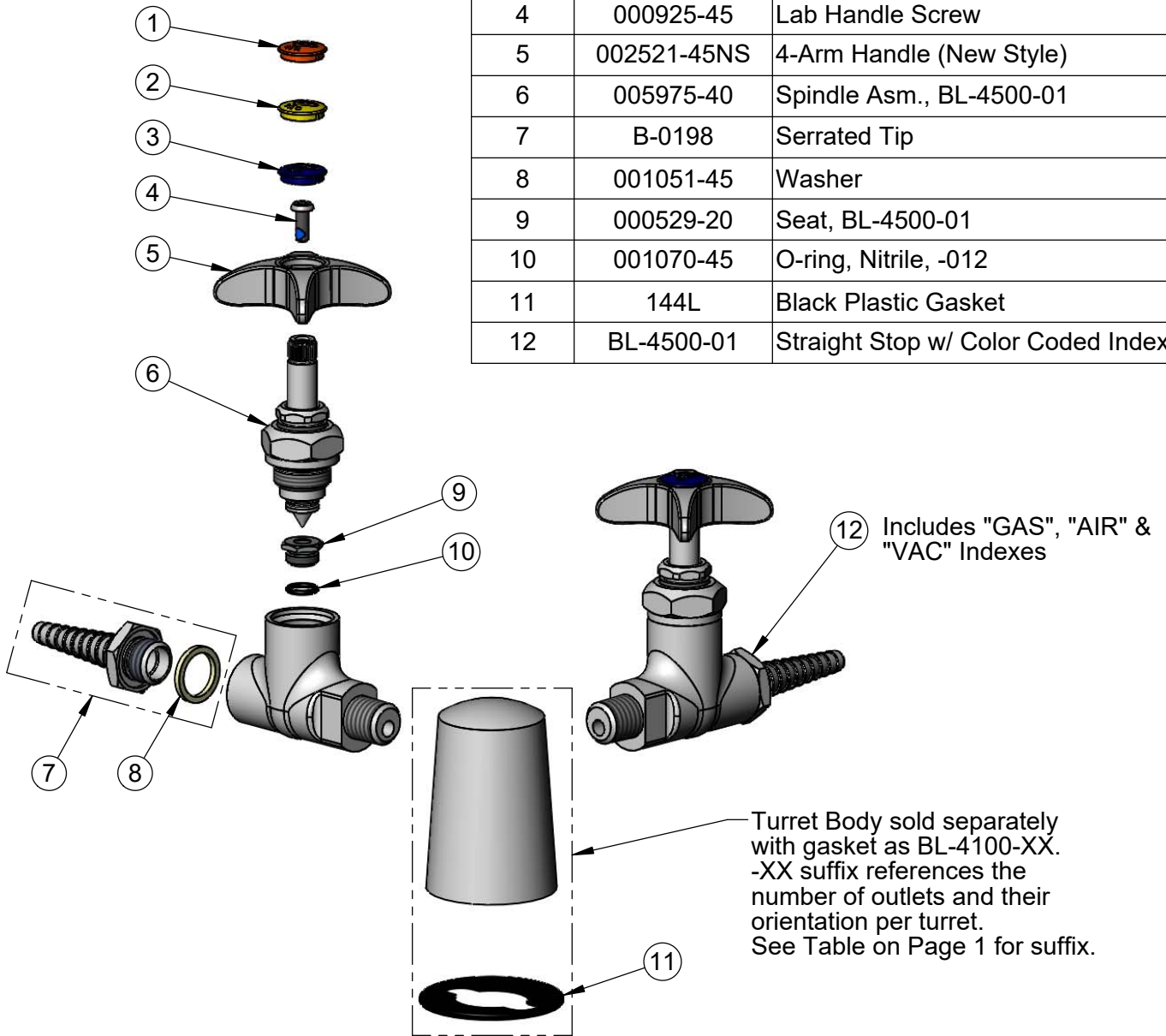
T&S BRASS AND BRONZE WORKS, INC.
 2 Saddleback Cove / P.O. Box 1088
 Travelers Rest, SC 29690

Model No.
BL-4300 SERIES

Item No.

Travelers Rest, SC: 800-476-4103 • Simi Valley, CA: 800-423-0150 • Fax: 864-834-3518 • www.tsbrass.com

ITEM NO.	SALES NO.	DESCRIPTION
1	209L-AIR-NS	Orange "AIR" Lab Button Index
2	209L-VAC-NS	Yellow "VAC" Lab Button Index
3	209L-GAS-NS	Dark Blue "GAS" Lab Button Index
4	000925-45	Lab Handle Screw
5	002521-45NS	4-Arm Handle (New Style)
6	005975-40	Spindle Asm., BL-4500-01
7	B-0198	Serrated Tip
8	001051-45	Washer
9	000529-20	Seat, BL-4500-01
10	001070-45	O-ring, Nitrile, -012
11	144L	Black Plastic Gasket
12	BL-4500-01	Straight Stop w/ Color Coded Indexes



Product Specifications:
 Laboratory Turret with Gas Stop(s)

Product Compliance:
 ANSI Z21.15a / CSA 9.1a (Gas Valves)