



**T&S BRASS AND BRONZE WORKS, INC.**  
 2 Saddleback Cove / P.O. Box 1088  
 Travelers Rest, SC 29690

Model No.  
**B-0842**

Item No.

Travelers Rest, SC: 800-476-4103 • Simi Valley, CA: 800-423-0150 • Fax: 864-834-3518 • www.tsbrass.com



**ADA Compliant**

This Space for Architect/Engineer Approval

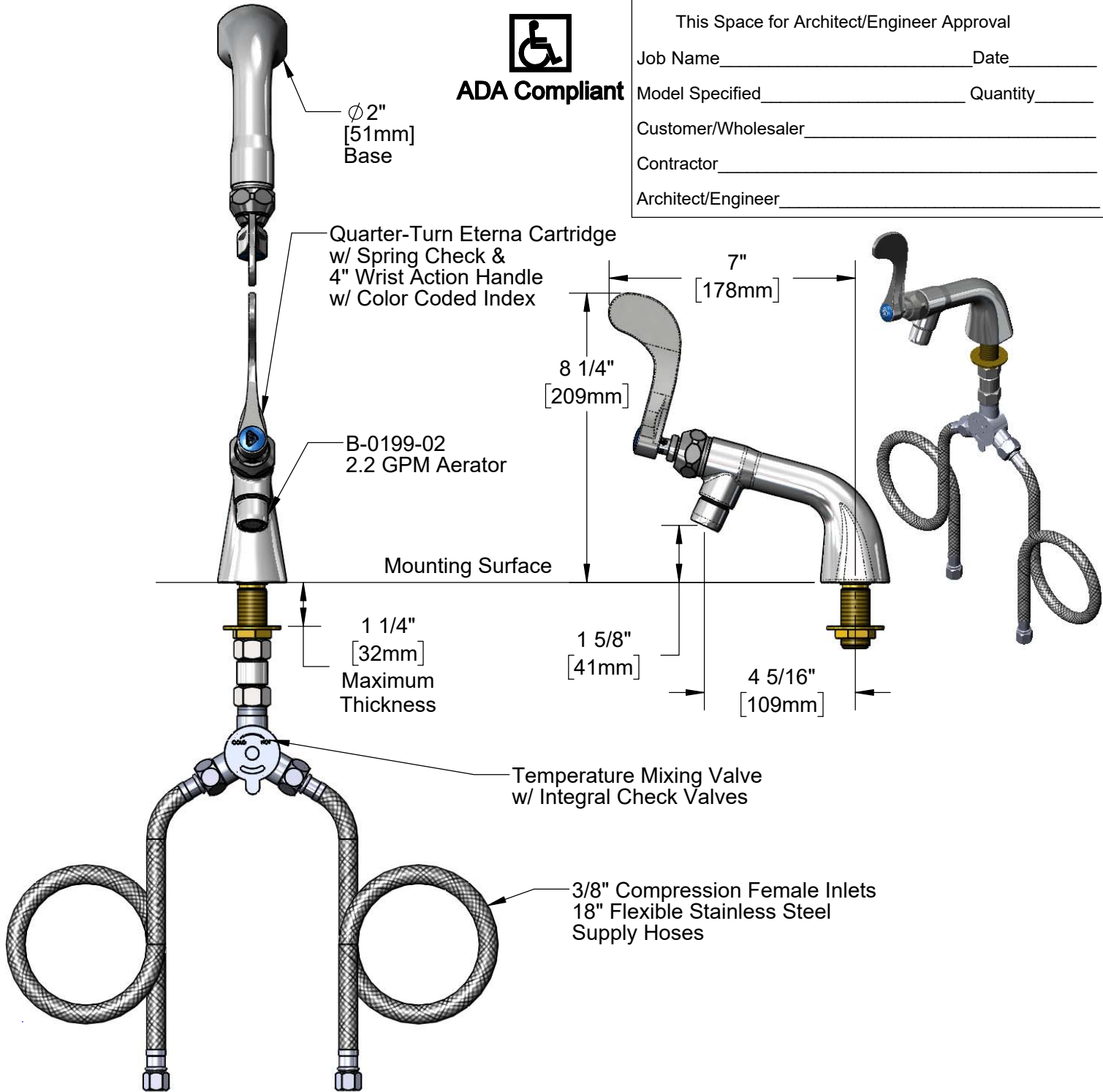
Job Name \_\_\_\_\_ Date \_\_\_\_\_

Model Specified \_\_\_\_\_ Quantity \_\_\_\_\_

Customer/Wholesaler \_\_\_\_\_

Contractor \_\_\_\_\_

Architect/Engineer \_\_\_\_\_



Rough-In Requirement:  
 $\phi 1"$  [25mm] Mounting Hole

Product Specifications:  
 Single Temperature Deck Mount Faucet, Quarter-Turn Eterna Cartridge w/ Spring Check, 4" Wrist Action Handle, 2.2 GPM Aerator, Temperature Control Mixing Valve w/ Integral Check Valves & 18" Flexible Stainless Steel Supply Hoses w/ 3/8" Compression Female Inlets

Product Compliance:  
 ASME A112.18.1 / CSA B125.1  
 NSF 61 - Section 9  
 NSF 372 (Low Lead Content)  
 ANSI A117.1 (ADA)



# T&S BRASS AND BRONZE WORKS, INC.

2 Saddleback Cove / P.O. Box 1088  
Travelers Rest, SC 29690

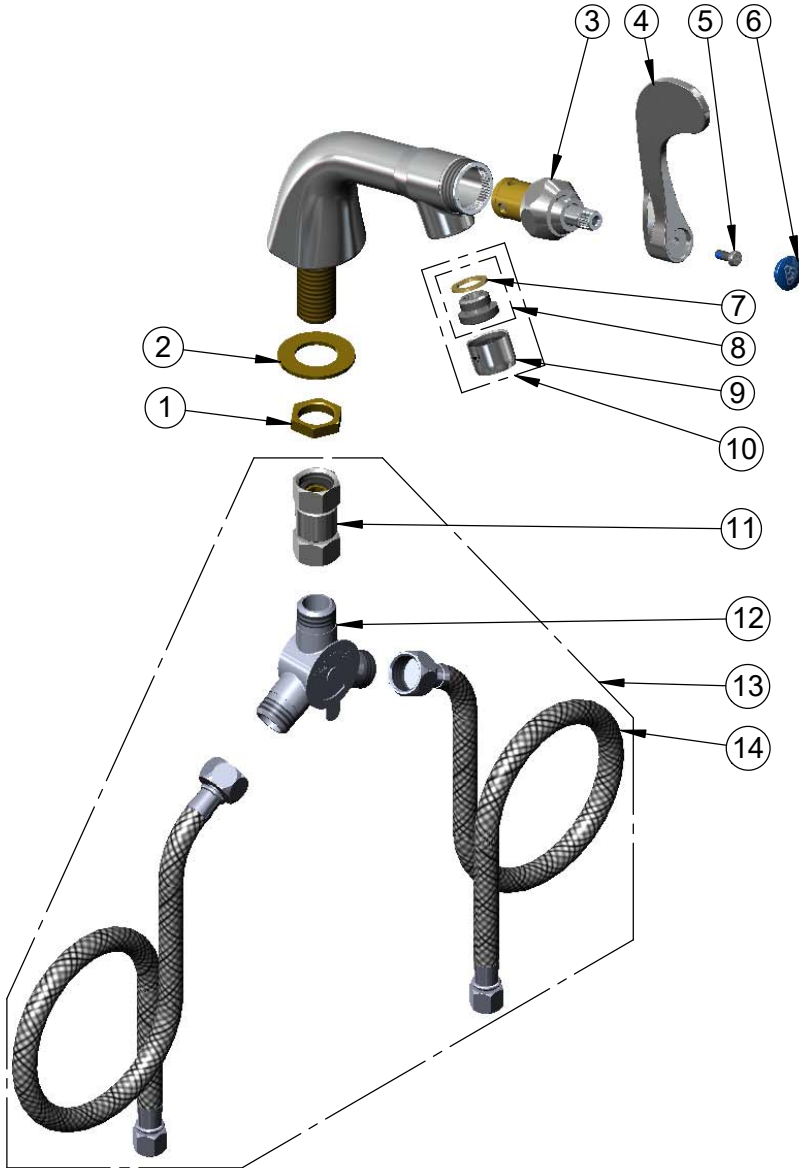
Model No.

**B-0842**

Item No.

Travelers Rest, SC: 800-476-4103 • Simi Valley, CA: 800-423-0150 • Fax: 864-834-3518 • www.tsbrass.com

ITEM NO.	SALES NO.	DESCRIPTION
1	002954-45	Shank Lock Nut
2	000999-45	Brass Lock Washer
3	012443-40NS	Removable Insert, RH Thread
4	B-WH4-NS	Wrist Action Handle - New Style
5	000925-45	Lab Handle Screw
6	018506-19NS	Blue Button Index, Press-in
7	001043-45	Washer
8	044A	3/8" to Aerator Adapter
9	B-0199-01	2.2 GPM Aerator, 55/64-27 UN Female
10	B-0199-02	Aerator, 2.2 GPM, 3/8" NPSM
11	017506-45	1/2" NPSM Swivel Coupling
12	5EF-0006	Mechanical Mixing Valve
13	019806-40	Temperature Control Mixing Valve w/ Flexible 3/8" Compression Female Inlets
14	5EF-0005	Supply Hose, 9/16-24 Female x 1/2" NPSM



**Product Specifications:**

Single Temperature Deck Mount Faucet, Quarter-Turn Eterna Cartridge w/ Spring Check, 4" Wrist Action Handle, 2.2 GPM Aerator, Temperature Control Mixing Valve w/ Integral Check Valves & 18" Flexible Stainless Steel Supply Hoses w/ 3/8" Compression Female Inlets

**Product Compliance:**

ASME A112.18.1 / CSA B125.1  
NSF 61 - Section 9  
NSF 372 (Low Lead Content)  
ANSI A117.1 (ADA)