

SMA Thermostatic Mixing Valve

FEATURES

- Shape Memory Alloy (SMA) coil allows faster water temperature response than conventional wax-type thermostatic valves
- Corrosion resistant

TSTA

- Single volume control for use without tub spout

TSTD

- Dual volume control for use with tub spout

CODES/STANDARDS

- Meets or exceeds ASME A112.18.1/CSA B125.1, ASSE 1016
- Certifications: IAPMO(cUPC), State of Massachusetts and others
- Code Compliance: UPC, IPC, NSPC, NPC Canada, and others



PRODUCT SPECIFICATION

Thermostatic mixing valve shall include Shape Memory Alloy (SMA) for faster water temperature response.

Single volume control valve shall be **TOTO Model TSTA** and with tub spout.

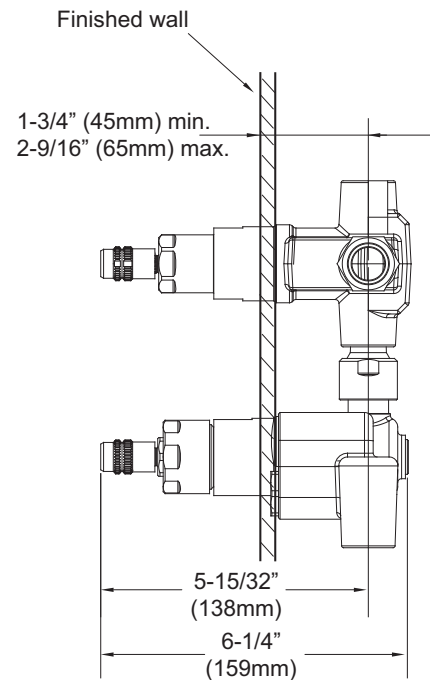
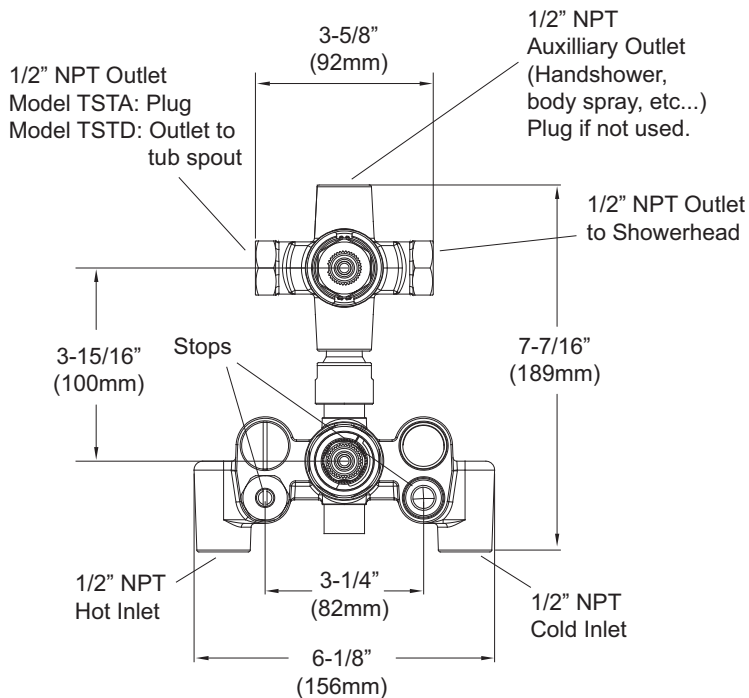
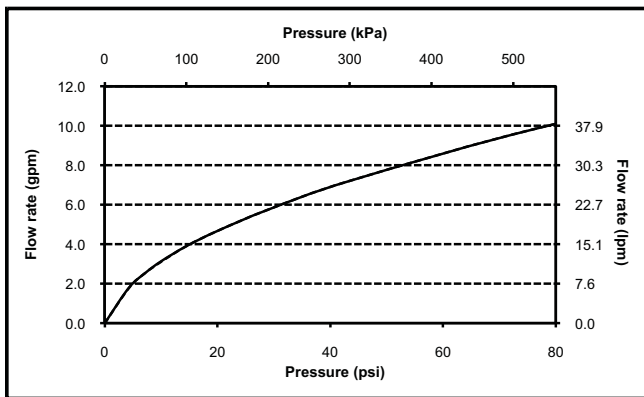
Dual volume control valve shall be **TOTO Model TSTD** and without tub spout.

TSTA & TSTD

SMA Thermostatic Mixing Valve

SPECIFICATIONS

- Warranty: Lifetime Limited Warranty (Residential Use)
One Year (Commercial Use)
- Material: Brass
- Shipping Weight: 7.7 lbs.
- Shipping Dimensions: 11-1/2" L x 7" W x 7" H
- Minimum Flow Rate: TSTA & TSTD: 2.5 gpm (9.5 lpm)
- Minimum Flow Rate: TSTAR & TSTD: 1.75 gpm (6.6 lpm)



Model TSTA requires trim: TS960C(1), TS970C(1), TS794C or TS930C
 Model TSTD requires trim: TS960D(1), TS970D(1), TS794D or TS930D

TOTO

These dimensions and specifications are subject to change without notice