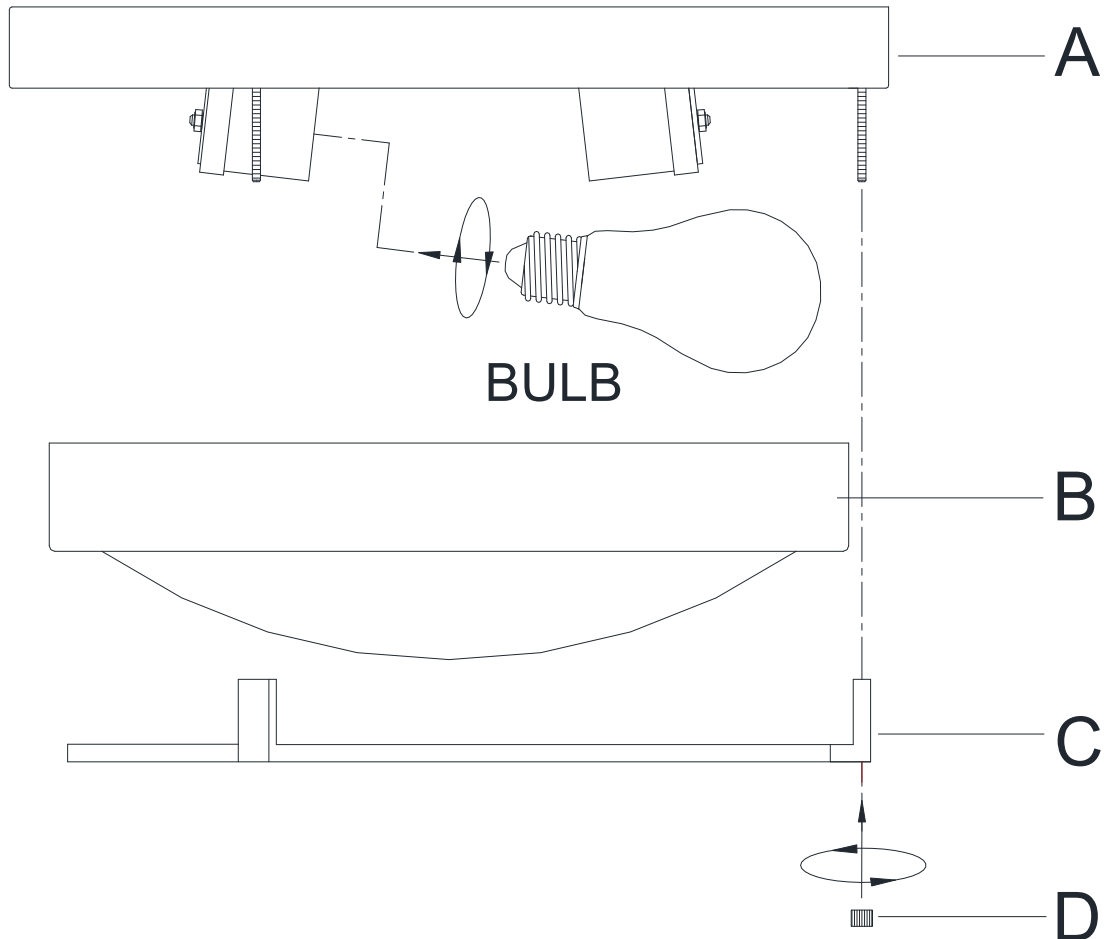


# ASSEMBLY INSTRUCTIONS

ITEM NO.: M60019

---



A → Bulb → B → C → D

1. Carefully unpack and identify all parts referring to illustration for parts identification.
2. Turn the power to the installation point **OFF**.
3. Referring to the installation instruction with the product for the wiring and installation.
4. Install proper bulbs (not provided) to each socket referring to the markings and / or labels on the fixture for maximum wattage.
5. Carefully place the glass shade (B) and decoration arm (C) over the fixture frame (A), align the mounting holes on the decorative arm (C) with nipples on fixture frame (A) and secure with finial (D), refer to above diagram.
6. Retain power to the installation point ON and retain this sheet for future reference.