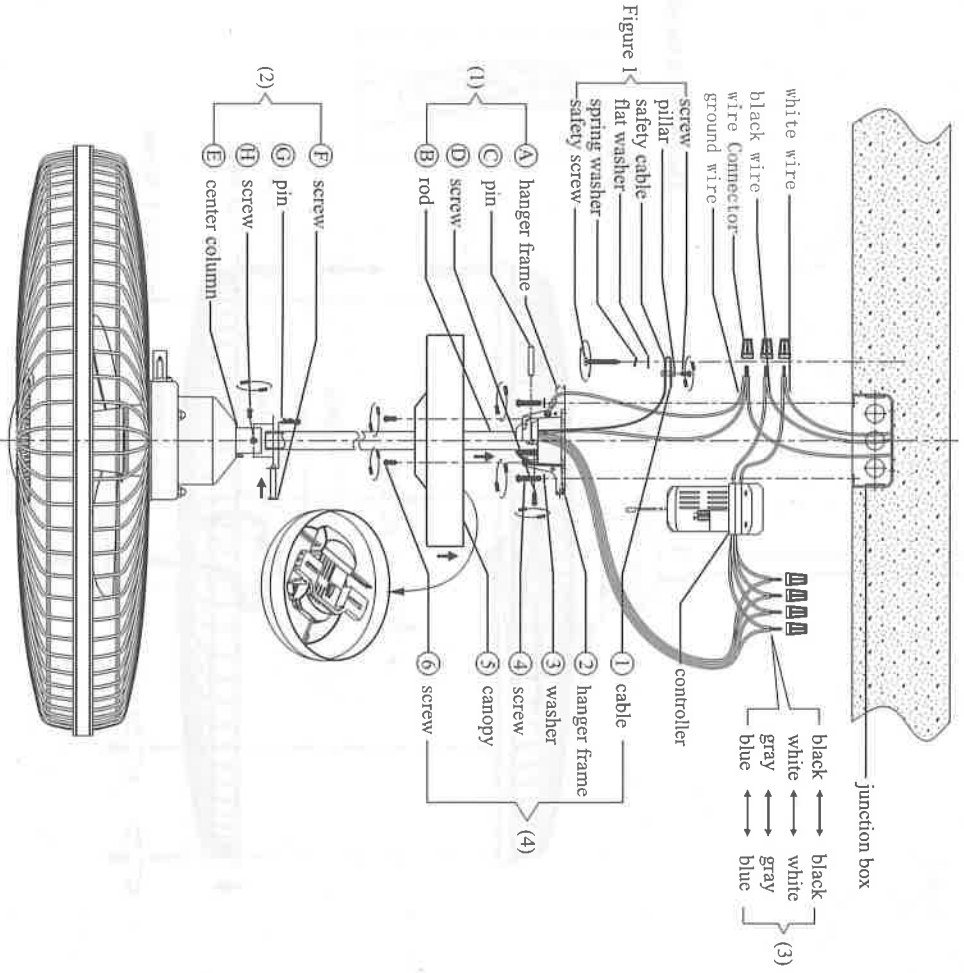




Caution - The max wattage for this fan is 300w. Lamps exceeding this wattage could damage the control and receiver.



CEILING FAN PRIMARY FUNCTION - IONIZER SECONDARY FUNCTION READ AND SAVE THESE INSTRUCTIONS

CAUTION:

1. Be certain that no bare wire strands are exposed outside of the wire connectors
2. Disconnect power at main circuit breaker to prevent possible injury from electrical shock.
3. To reduce the risk of fire, electric shock, or personal injury, mount to outlet box marked (a) and use mounting screws provided with the outlet box.
 - (a) and use mounting screws provided with the outlet box.
4. Warning - to reduce the risk of electric shock, this fan must be installed with an isolating wall control/switch
5. Warning - to reduce the risk of fire, electric shock, or personal injury, mount to outlet box marked (a) acceptable for fan support of 15.9 kg or less, and use mounting screws provided with the outlet box

ASSEMBLY & INSTALLATION INSTRUCTIONS

Notice:

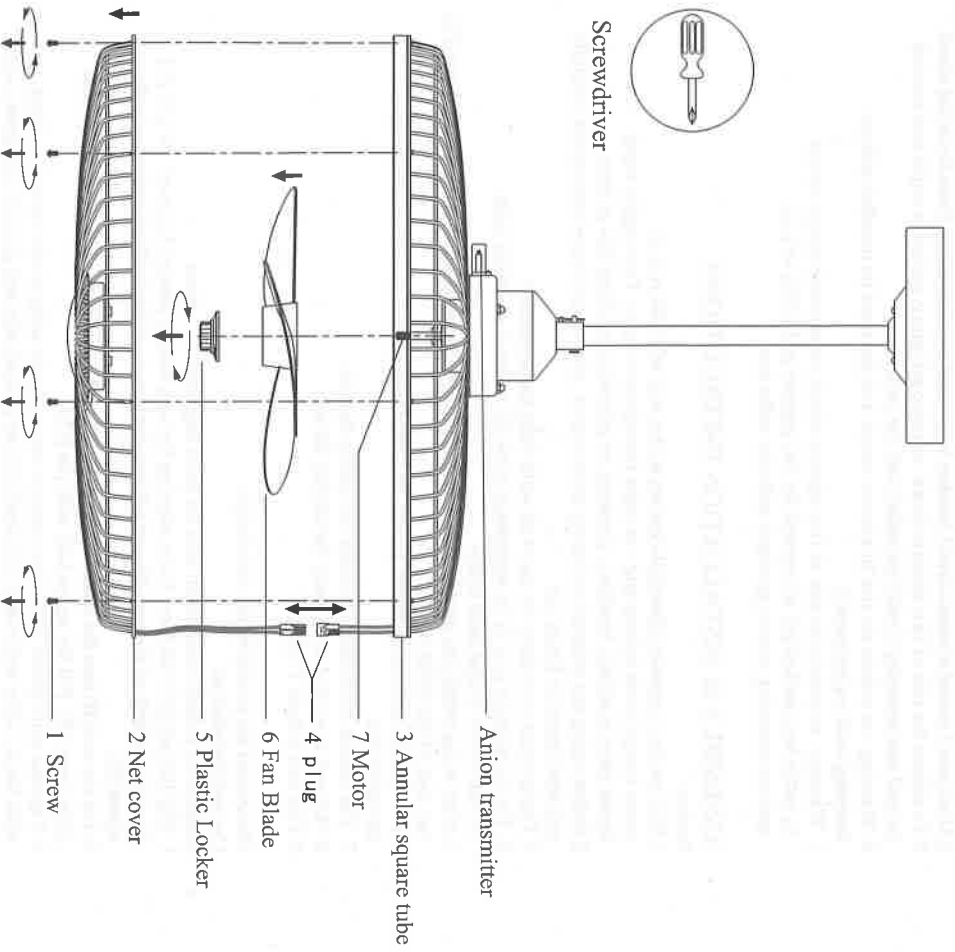
1. This product contains chemicals known to the state of California to cause cancer, birth defects and / or other reproductive harm. Thoroughly wash hands after installing, handling, cleaning, or otherwise touching this product.
2. Before using this product and doing maintenance, please read these instructions carefully and save them for future use.
3. This product is suitable for use with solid-state speed controls
4. The installation is to be in accordance with the national electrical code, ANS/NFPA 70 and local codes.
5. After being wired, the ungrounded wire and grounded/grounding wire must be separated in two sides of the outlet box
6. The splices, after being made, should be turned upward and pushed carefully up into the outlet box.
7. The remote controller is suitable for ceiling fan use.
8. This unit is packed completely for ceiling fan use.
9. This unit weighs 17.5kg.

Disconnect the power before installation.

Use and Installation:

- Remove all fixture components and the parts bag from the carton.
- 1: Slip the rod (B) with three holes aligning through hanger frame (A), insert the pin (C) through the hole of the rod (B) and fall into the groove of the half ball tightened with screw (D).
 - 2: Put the rod (B) into the center column (E), align the side hole and hanger frame hole with screw (F). Fill the screw hole with pin (G).
 - 3: Connect main power wire from junction box with the wires of the controller, black with black, white with white and attach fixture ground wire and ground wire from outlet box with wire nut. Connect the output wires from controller and fixture wires with wire connector, colors: black with black, white with white, grey with grey, blue with blue.
 - 4: An additional safety support is provided to prevent the fan from falling. Secure the safety cable to the ceiling joist with screw and washer as illustrated in Figure 1. Thread the screw (4) through washer (3), screw the hanger frame into junction box firmly. Cover the junction box with canopy (5), fasten the hanger frame (2) with screws (6).

Fan leaf cleaning assembly diagram



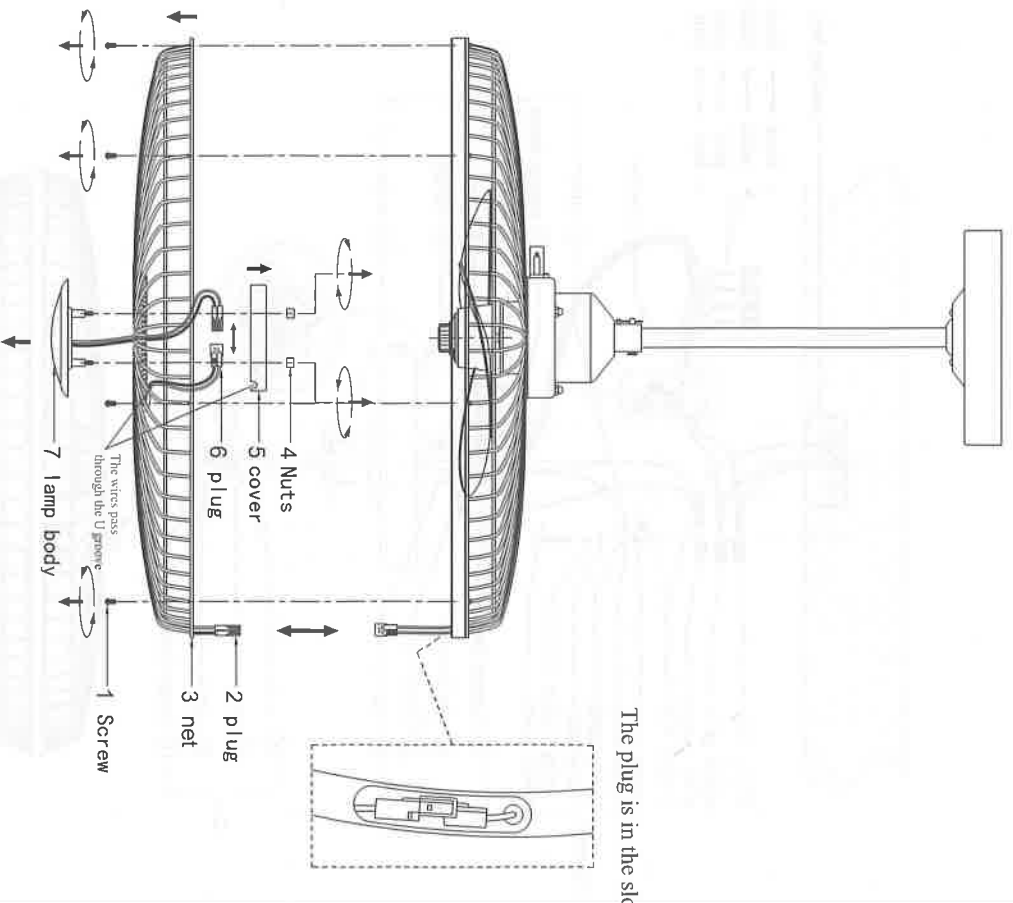
Cleaning instructions:

Turn off power before removing outer protective net as shown above.

Clean with wet cloth first then rub gently with dry cloth.

Caution: make sure that water can not run into center hole of fan blades. Keep blades dry before installation.

Light source replacement assembly diagram

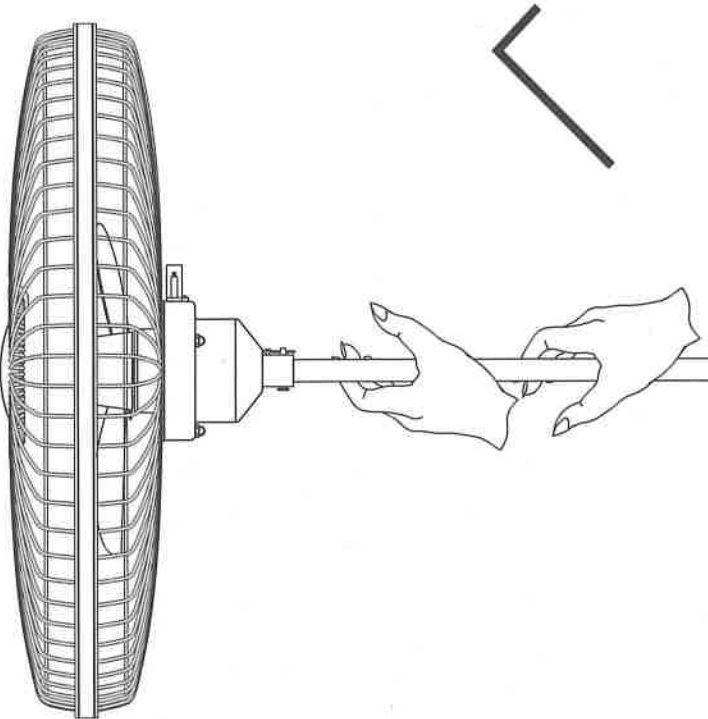


Light source replacement installation instructions:

Turn off power before removing outer protective net as shown above.

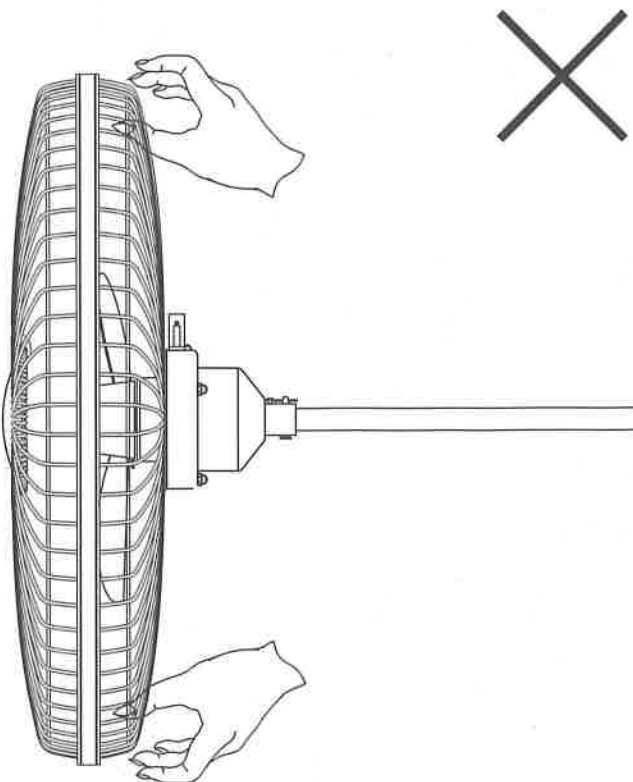
- (1) unloading screws, (2) pull out the male plug, (3) Remove the net,
- (4) Remove the nut, (5) remove the cover, (6) pull out the male plug,
- (7) Remove the lamp body.

1



The correct position for
removing unit from carton

2



Wrong position - Do not
lift from scroll arms



Manual of Fan Remote Controller

This unit is mainly for fan and its lighting function, but the ionizer is an additional function. This product has an FCC ID certificate. Adopted frequency: 304MHz. Please turn off the power first, then refer to the manual for installation instruction.

1. Setting up the remote

The wireless control is designed to operate both the light and speed of the fan. The remote uses a 9V battery. Remove the remote's back cover and insert the battery. Please make sure the battery is inserted in the right direction or the remote may not function. Remove the battery from the remote if you do not plan to use the remote for a long time.

The code for the controller and remote must be the same. You can manually adjust the code as seen below.

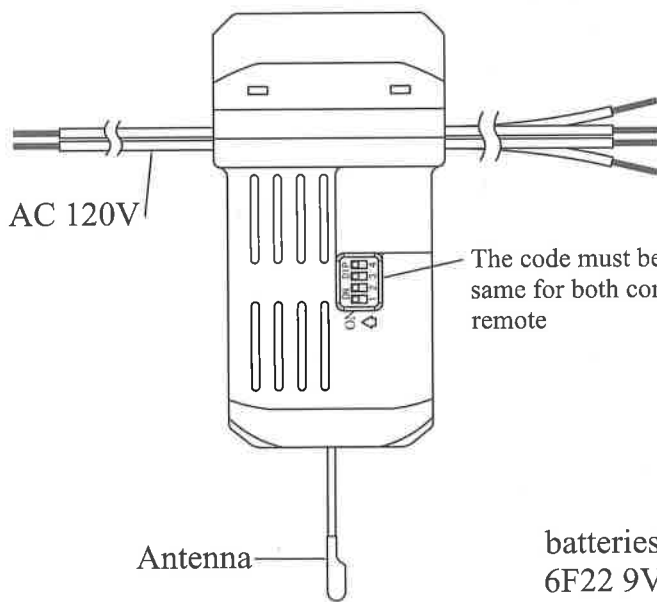


Fig.1 Controller

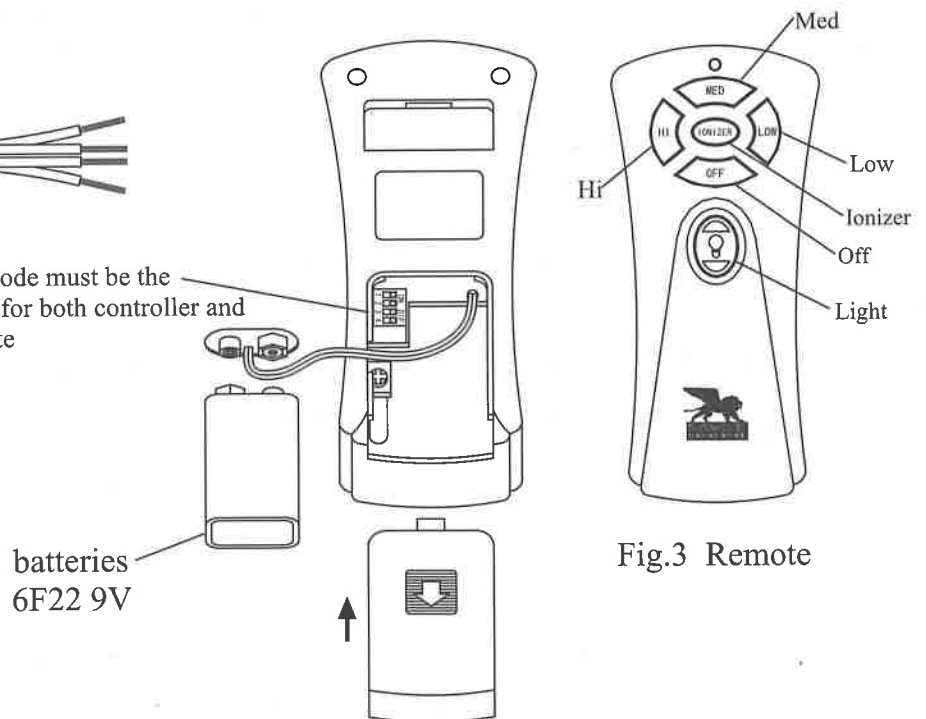


Fig.2 Inserting battery

2. Operating instructions



- A. Turn on power and press (light) key on the remote to turn on the lights. Press the key again to turn off.



- B. (Four speed buttons) These are the four keys for adjusting fan speed.



- C. Press (Ionizer) to turn on the inducer and ionizer. Press it again to turn off this function.