

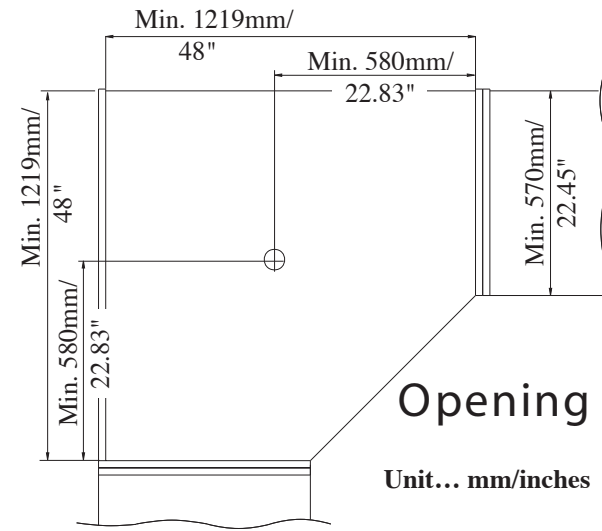


# SHR-3684

## Spiral Clothes Hanger Installation

No.	Description	Quantity	Drawing
1	Lower tube	1 pc	
2	Tube	1 pc	
3	Spiral hanger	2 pcs	
4	Upper tube	1 pc	
5	Plastic ring	4 pcs	
6	Holder	2 sets	
7	Connector bolt	1 pc	
8	Plastic shroud	2 pcs	
9	Plastic bolt	1 pc	
10	Bearing kit	2 sets	
11	6-side wrench	1 pc	

### Top Dimension/Bottom Dimension



**Step 1.** Mount the lower tube(1) and tube(2) with the connector bolt(7), mount the plastic rings(5) to two extremities of the spiral hanger(3) center pole, mount the holder(6) and plastic rings(5) to the upper tube(4) then attach the bearing kit.

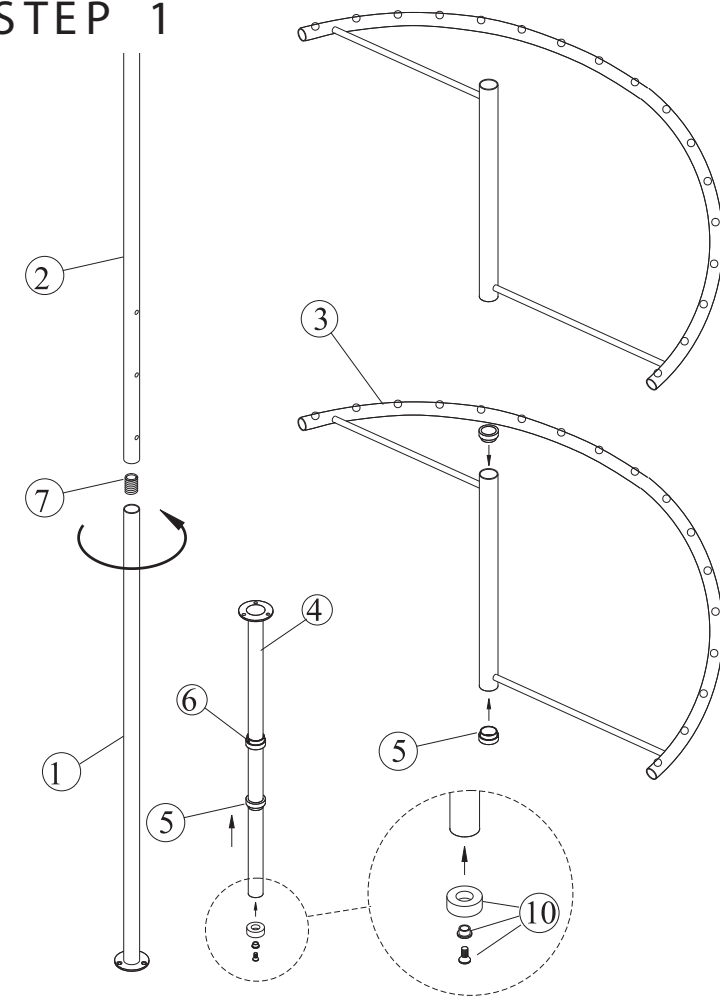
**Step 2.** Screw the holder(6) to the tube(2) and properly height mount the lower spiral hanger(3) and plastic rings(5) to the tube(2) then attach the bearing kit. Place the plastic bolt(9) in to the top of spiral hanger(3).

**Step 3.** Mount the upper spiral hanger(3) to the tube(2) and connect the two spiral hanger(3) together with the plastic bolt(9) then mount the upper tube(4) to the upper spiral hanger(3).

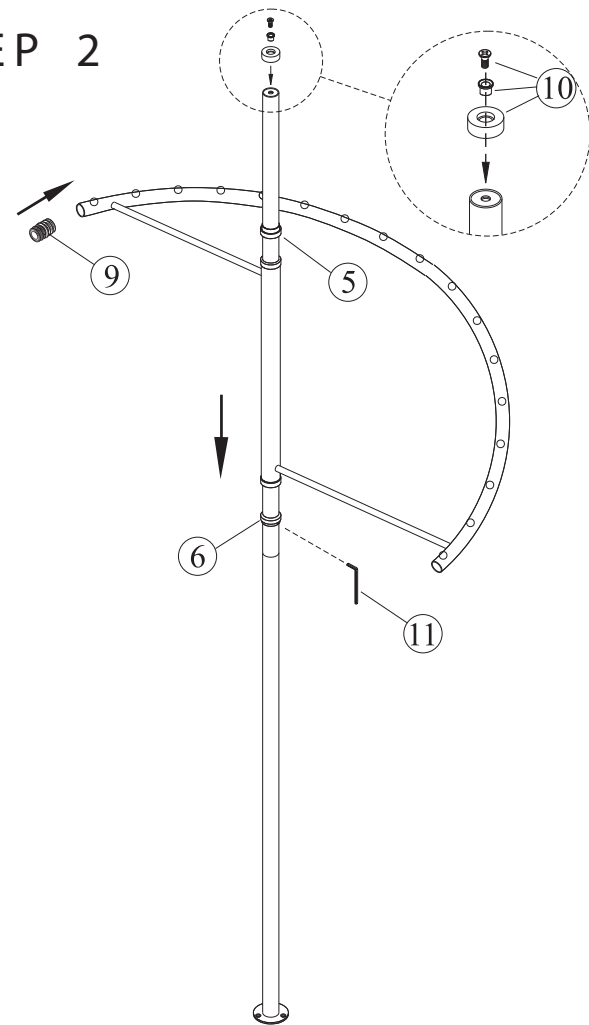
**Step 4.** According to the bottom dimension, mount the complete set to the cabinet then mount the plastic shroud into the exposed ends of the spiral hanger(3).

**Step 5.** Adjust the holder(6) to the tube (2) at the proper height and tighten the set screw on the holder(6) to the tube(2) with the 6-sided wrench(11).

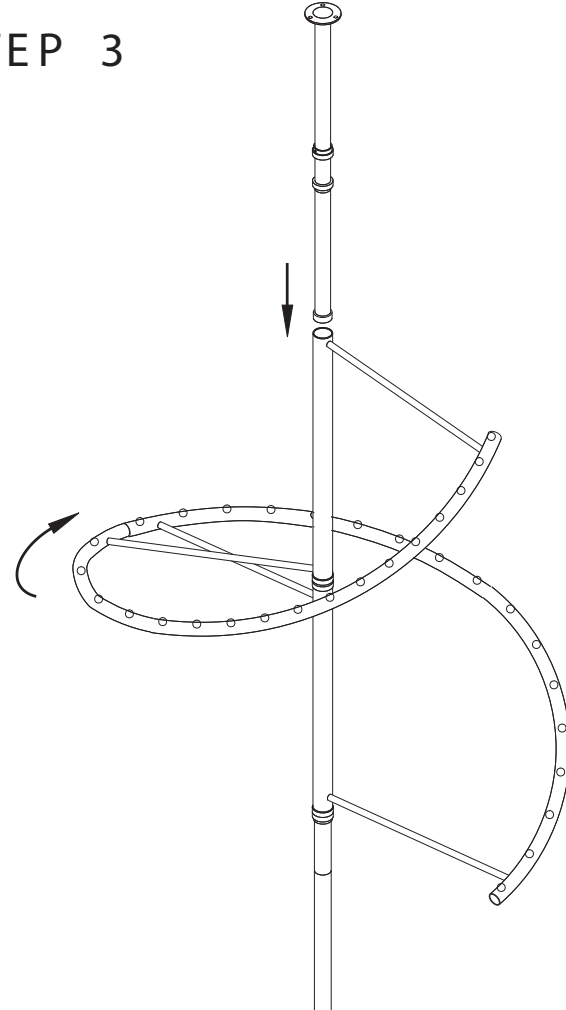
### STEP 1



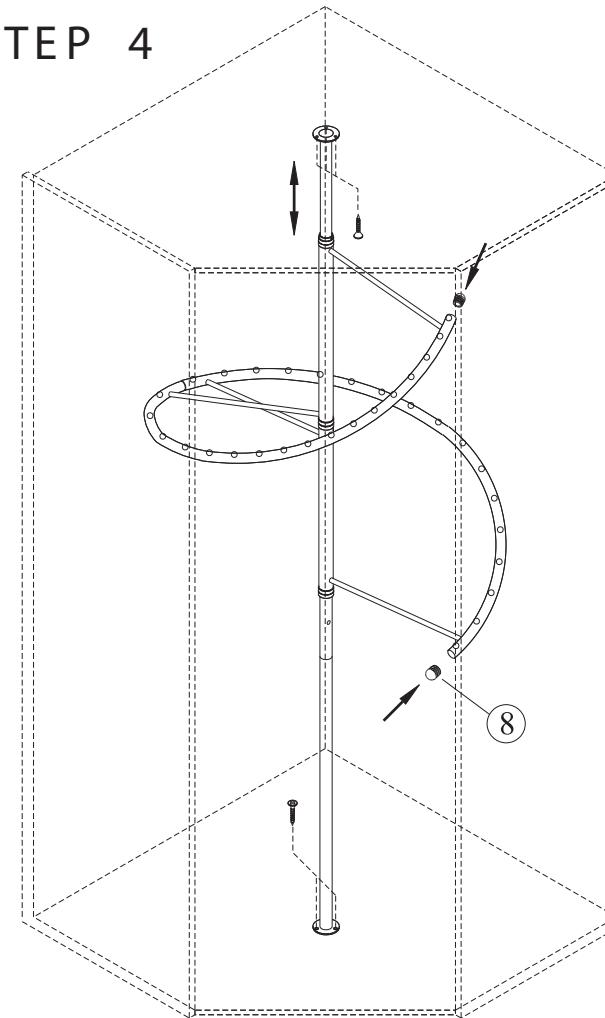
### STEP 2



### STEP 3



### STEP 4



### STEP 5

