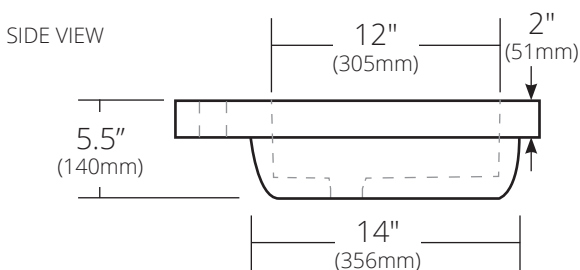
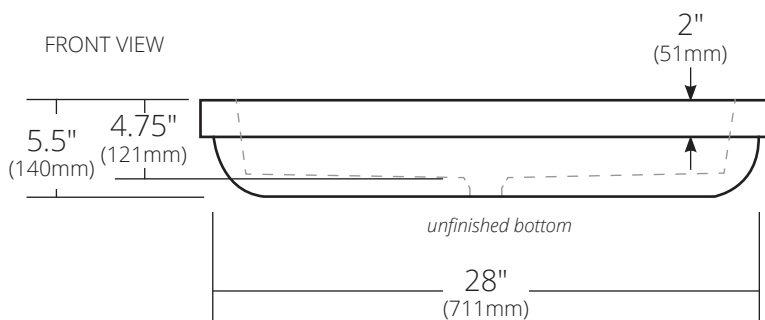
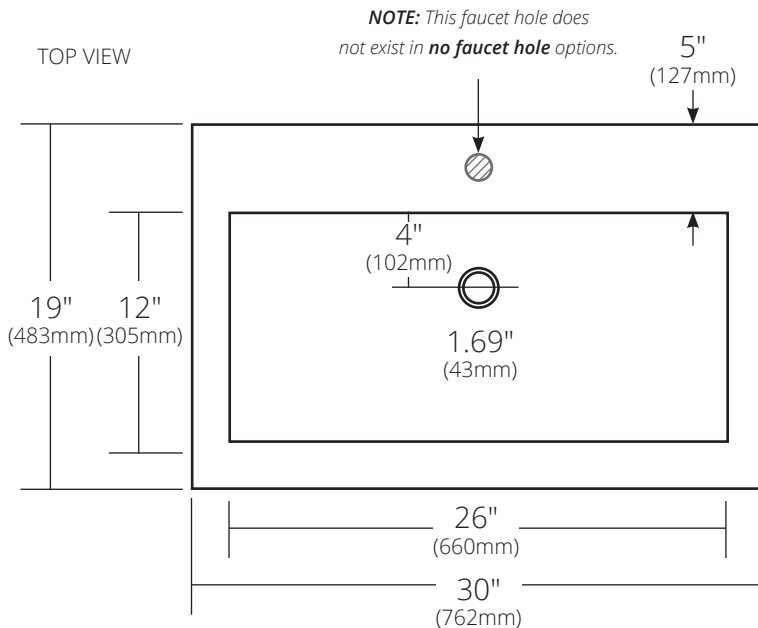


SPECIFICATIONS

TROUGH 3019

NativeStone® Collection



Single Faucet Hole

NSL3019-A Ash
NSL3019-S Slate
NSL3019-P Pearl
NSL3019-E Earth

No Faucet Hole

NSL3019-AX Ash
NSL3019-SX Slate
NSL3019-PX Pearl
NSL3019-EX Earth

PRODUCT DETAILS

- 30" x 19" x 5.5" OD (762mm x 483mm x 140mm)
- 26" x 12" x 4.75" ID (660mm x 305mm x 121mm)
- 1.69" (43mm) drain opening
- Handcrafted from sustainable NativeStone®
- Sealed with impermeable nano sealer

INSTALLATION

- Drop-in

COORDINATING PRODUCTS

- Drains: DR120, DR130 or DR150
- NativeStone® Shield
- 36" Vanity Top with Small Trough Cutout

STANDARDS COMPLIANCE

- UPC/cUPC compliant
- **ADA** COMPLIANT

IMPORTANT

Do NOT use tape or other adhesives on NativeStone® as it may remove the sealer.

Due to the handcrafted nature of this product, it will vary in finish, texture, and other details. Dimensions may vary up to 1/4" (6mm).