



Buy it for looks. Buy it for life.®

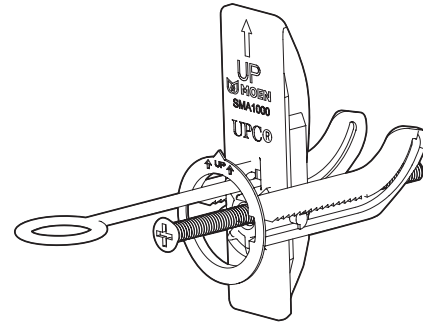
# Specifications

## DESCRIPTION

- Easy and secure
- Patentend Design
- No studs or blocking required
- Installs into a variety of surfaces

## WARRANTY

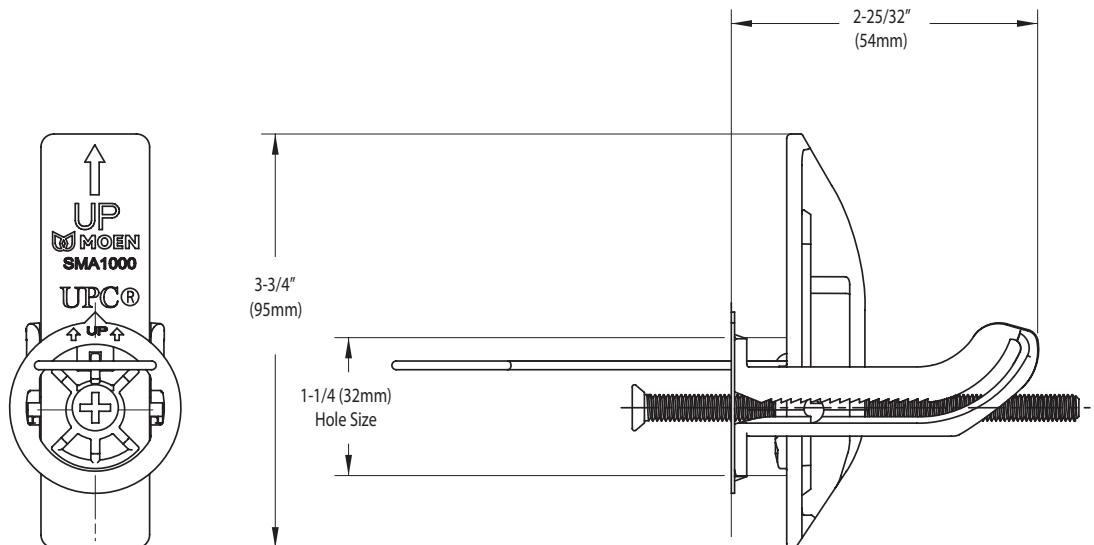
- Lifetime limited warranty
- 5 year warranty if used in commercial installations



**"SecureMount™ Anchors"**

**MODEL**

**A750**



## **CRITICAL DIMENSIONS**

(DO NOT SCALE)

**FOR MORE INFORMATION CALL: 1-800-BUY-MOEN**

**www.moen.com**