

# INSTALLATION INSTRUCTIONS

Item # 6354 (Rev. 05/10/2012)

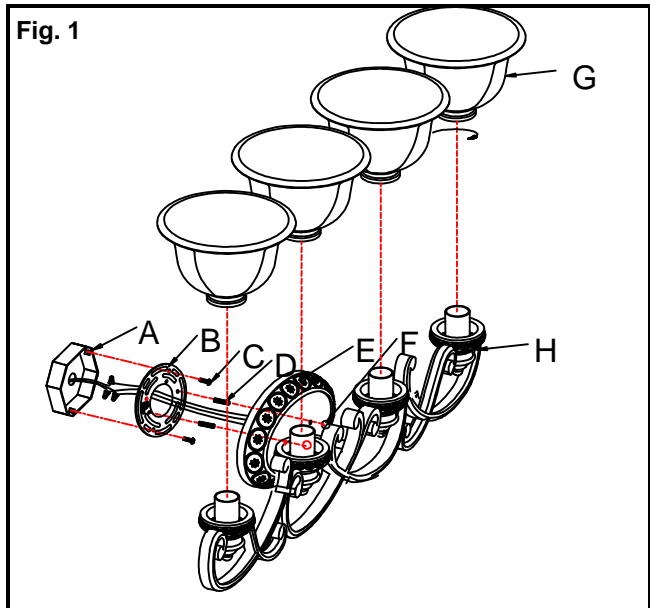
## READ AND SAVE THESE INSTRUCTIONS

**WARNING! SHUT POWER OFF AT FUSE OR CIRCUIT BREAKER.**

**AVERTISSEMENT! COUPER LE COURANT AU NIVEAU DES FUSIBLES OU DU DISJONCTEUR.**

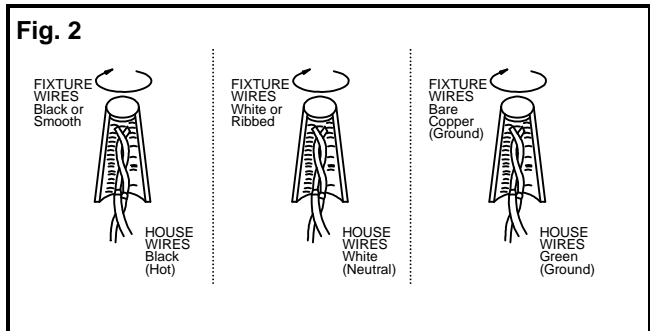
### MOUNTING THE FIXTURE (Fig. 1)

1. Shut off power at the circuit breaker and remove old fixture, including the mounting hardware.
2. Carefully unpack your new fixture and lay out all the parts on a clear area. Take care not to lose any small parts necessary for installation.
3. Attach Circular Strap (B) using the Screws (C) to the Junction box (A). The side of the Circular Strap marked "GND" must face out.
4. Thread Studs (D) into the pre-drilled holes of the Circular Strap (B) same distance apart as the hole in the Fixture Body (E).



### CONNECTING THE WIRES (Fig. 2)

5. At this point, connect the electrical wire as shown in Fig. 2, making sure that all wire connectors are secured. If your outlet has a ground wire (green or bare copper), connect the fixtures Ground Wire to it. Otherwise, connect the fixture Ground Wire directly to the circular strap using the Green Screw provided. After wires are connected, tuck them carefully inside the Junction Box.
6. Place the Fixture Body (E) over the Stud (D) and secure with Ball Nut (F).
7. Place Glass Shade (G) over the Socket Cup (H) and secure them tightly.
8. Install the light bulbs (not included) in accordance with the fixture's specifications. **(DO NOT EXCEED THE MAXIMUM WATTAGE RATING! NE PAS DEPASSER LA PUISSANCE NOMINALE MAXIMALE!)**



Your installation is now complete. Return power to the outlet box and test the fixture.

**Note: Illustration (Fig.1) on this manual is for installation purposes only. It may or may not be identical to the fixture purchased.**

“U.S. Patents; D577,459;D579,143

This product is protected by United States Federal and/or State Law, including Patent and/or Copyright laws.”

© Minka Lighting, Inc.

