

INSTALLATION INSTRUCTIONS

Item# 2290-613, 2291-613, 2292-613

READ AND SAVE THESE INSTRUCTIONS

WARNING! SHUT POWER OFF AT FUSE OR CIRCUIT BREAKER.

AVERTISSEMENT! COUPER LE COURANT AU NIVEAU DES FUSIBLES OU DU DISJONCTEUR.

PREPARATION (Fig. 1)

1. Carefully remove the fixture from the carton and check that all parts are included as shown in the illustration.
2. Shut off the power at the fuse box or circuit breaker. If necessary, remove the old fixture including the mounting hardware.

ASSEMBLING THE FIXTURE WITH CHAIN LOOP (Fig. 2)

3. Determine the desired hanging height and thread rods (F1, F2 and F3) to the nipple (P). Then attached to loop (H1) by screwing in rod (F1).
4. Attach the quick link (G) connect to loop (H1) and loop (H2) on the canopy (D), carefully feed the wire over loop (H1), quick link (G) and loop (H2).
5. Thread screws (A) into the pre-drilled holes in the circular strap (B) spaced the same distance apart as the holes in the canopy (D).
6. Attach the circular strap (B) to the outlet box using mounting screws (C) (Size: #8-32N*L0.5"). The side of the circular strap marked "GND" must face out.

CONNECTING THE WIRES (Fig. 3)

7. At this point, connect the electrical wires as shown in figure 3, making sure that all wire connectors are secured. If your outlet has a ground wire (green or bare copper), connect the fixture's ground wire to it. Otherwise, connect the fixture's ground wire directly to the circular strap using the green screw provided.
8. Tuck the wire connections neatly into the ceiling outlet box and then raise the canopy all the way to the ceiling.

COMPLETING THE INSTALLATION (Fig. 1)

9. Thread screws (A) into canopy (D), and secure with knurled knobs (E).
10. Install the light bulb(s) (K) (not included) in accordance with the fixture's specifications. **(DO NOT EXCEED THE MAXIMUM WATTAGE RATING!) (NE PAS DEPASSER LA PUISSANCE NOMINALE MAXIMALE!).**
11. Dis-assemble the screw nuts (J2) and the column nuts (J3) from one end of the tubes (M), put the rings (L) onto the center groove of the glass shade (N), align the holes on one end of tubes (M) to the holes on the rings (L), and screw the screw nuts (J2) through the holes and tighten with the column nuts (J3). Then, place the glass shade assembly over the fixture body.
12. While hold the glass shade assembly, dis-assemble the screw nuts (J1) and column nuts (J3) from holder (I), align the holes on another end of tubes (M) to the holes on the holder (I) and secure the screw nuts (J1) through the holes and tighten with the column nuts (J3).

Your installation is now complete. Return power to the junction box and test the fixture.

Note: Illustration (Fig. 1) on this manual is for installation purpose only. It may or may not be identical to the fixture purchased.

Fig. 1

Set# A-020
-Circular Strap
-Ground screw
-Mounting Screw*2

Rod# W30-1-613*1(F1)
W30-1-613*2(F2)
W30-H-613*1(F3)

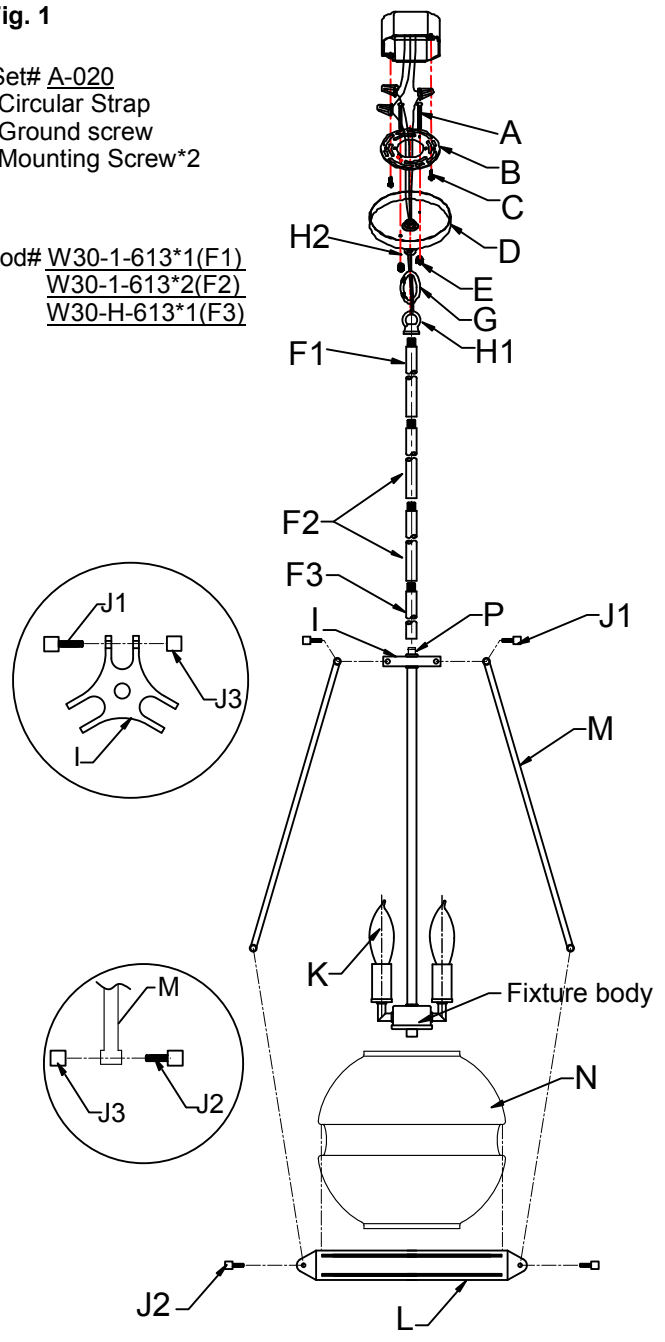
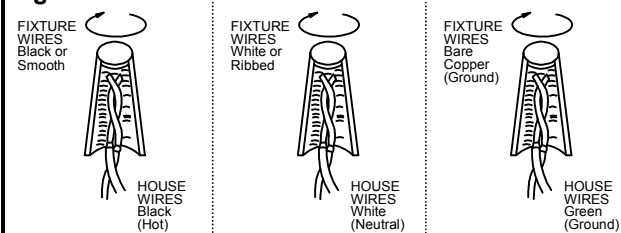


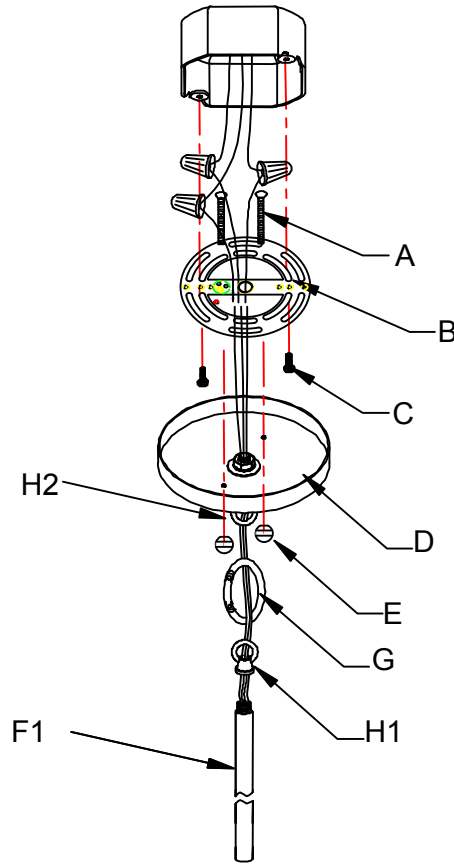
Fig. 3



ETL
LISTED
US
Intertek

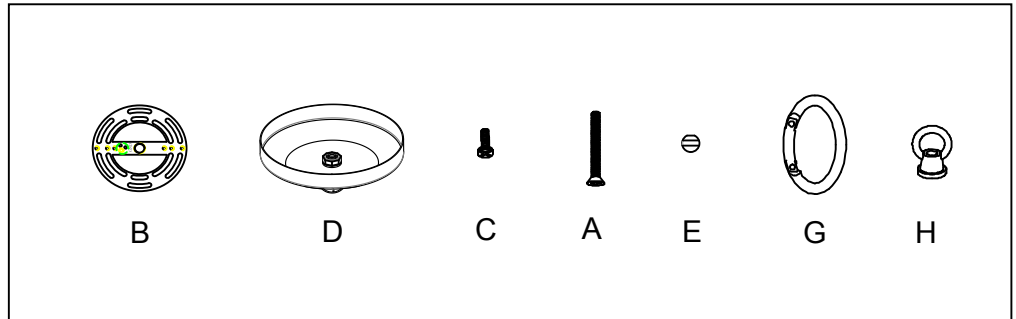
american
lighting
association

Fig.2



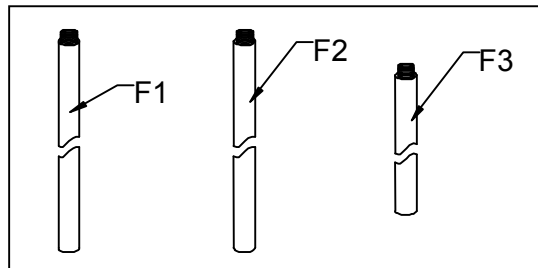
a. Hardware Bag:

- A. Screw*2
- B. Circular Strap*1
- D. Canopy *1
- C. Mounting Screw*2
- E. Knurled Knob*2
- H. Loop*2
- G. Quick Link*1



b. Hardware Bag:

- F1. ROD 12"*1
- F2. ROD 12"*2
- F3. ROD 6"*1



c. Hardware Bag:

- J1. Screw Nut*3
- J2. Screw Nut*3
- J3. Column Nut*6
- L. Ring*3
- M. Tube*3

