

INSTALLATION INSTRUCTION FOR 1420

For Wall Mount Light Fixtures

WARNING! SHUT POWER OFF AT FUSE OR CIRCUIT BREAKER .
AVERTISSEMENT! COUPER LE COURANT AU NIVEAU DES FUSIBLES OU DU DISJONCTEUR.

PREPARATION

1. Shut off the power at the fuse box or circuit breaker. If necessary, remove the old fixture, including mounting hardware.
2. Carefully unpack your new fixture and lay out all the parts on a clear area. Take care not to lose any parts necessary for installation.

MOUNTING THE FIXTURE (Fig.1)

3. Remove the washers (I, J, L, M) and the screw collar ring (N) from the nipple (H).
4. Secure the crossbar (A) to junction box with mounting screws (B) (Size: #8-32*0.6"L). The side of the crossbar marked "GND" must face out.
5. Thread the nut (D) onto the nipple (E), then insert the lock washer (C) and thread the nipple (E) into crossbar (A), then secure with the nut (D).
6. Raise the canopy (F) allowing for the nipple (E) to protrude through the hole on the canopy (F) then secure with the finial (G).

CONNECTING THE WIRES (Fig.2)

7. At this point, connect the electrical wires as shown in figure 2, making sure all wire connectors are secured. If the junction box has a ground wire (green or bare copper), connect the ground wire to it. Otherwise, connect the fixture's ground wire directly to the cross bar with the green screw provided. After wires are connected, tuck them carefully into the junction box.

COMPLETING THE INSTALLATION

8. Install the light bulb(s) in accordance with the fixture's specifications. **(DO NOT EXCEED THE MAXIMUM WATTAGE!) (NE PAS DEPASSER LA PUISSANCE NOMINALE MAXIMALE!).**
9. Slide the iron washer (I), plastic washer (J), glass (K), plastic washer (L) and iron washer (M) onto the nipple (H), and secure glass (K) with screw collar ring (N).
10. Raise the frame (O) allowing for the frame (O) to protrude through the nipple (H), then secure with the finial (P).

Your installation is now complete. Return the power to the junction box and test the fixture.

Fig.1

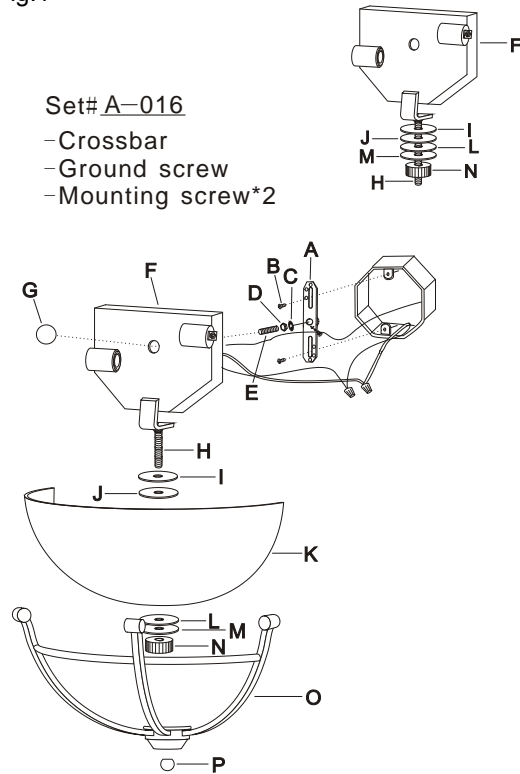
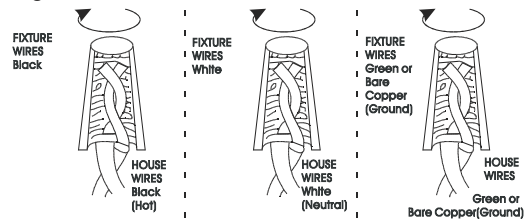


Fig.2



MIN 75°C SUPPLY CONDUCTORS