



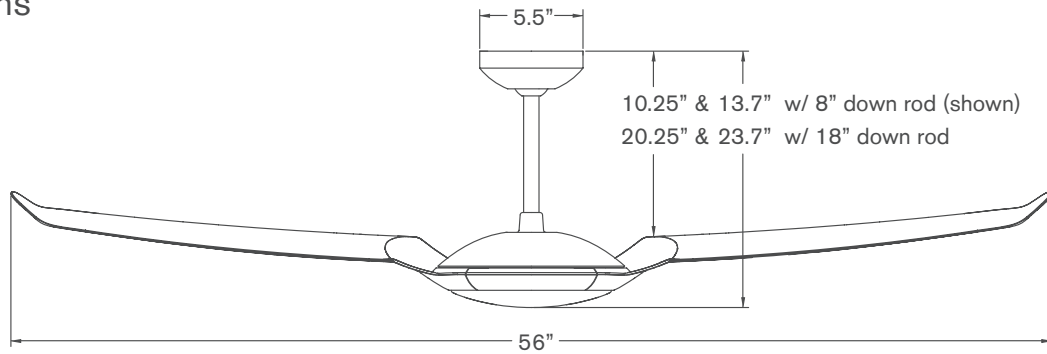
IC/Air3 DC



IC/Air3 DC > Configure item number from attributes below.

#IC3	Finish	Blade Span	Blade Color	Light Option	Control Option
-	-	-	-	-	-
▲	▲	▲	▲	▲	▲
GW	Gloss White	56 56" Span	WH White	NL No Light	WC Wall Control
BN	Bright Nickel		NK Nickel	570 20W LED	RC Remote Control
DB	Dark Bronze		DK Dark		CC Wall/Remote Combo
			CL Clear		
			EB Ebony		
			GY Graywash		
			MP Maple		
			MG Mahogany		
			WW Whitewash		

Dimensions



Specifications

- 6-speed, reversible DC motor
- Die cast aluminum construction
- 56" span, injection-molded ABS blades (solid color or surface printed woodgrain)*
- Includes 8" and 18" down rods (longer options also available)
- Optional LED light: 20W, 90 CRI, 3000K, 1800 lumens (dimmable) behind opal glass diffuser; adds .5" to length of fan; CA Title 24, JA8-2019 compliant
- Slope compatible up to 33°; adapter available for slopes up to 45°
- Designed by Guto Indio da Costa
- ETL listed for dry and damp locations
- Weight: 15 lbs (6.8 kgs)

* Clear blades are injection molded polystyrene instead of ABS

Performance Data

LOWEST SPEED

RPM: 70
CFM: 1,914
Watts: 3.47
CFM/W: 552

HIGHEST SPEED

RPM: 170
CFM: 5,705
Watts: 28.17
CFM/W: 203

Energy Guide Data

Average Energy Use
19 Watts

Average Airflow
3,928 CFM

Yearly Energy Cost
\$5

Average Efficiency
166 CFM/Watt

Energy Guide Data represents weighted averages of low speed and high speed performance, assuming typical use (excluding light). For more information, visit www.modernfan.com.

IC/Air3 DC

Gloss White with Whitewash Blades (no light)

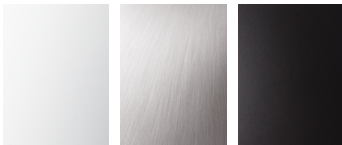
Bright Nickel with Mahogany Blades (no light)

Dark Bronze with Ebony Blades and 570 LED Light



FAN FINISHES

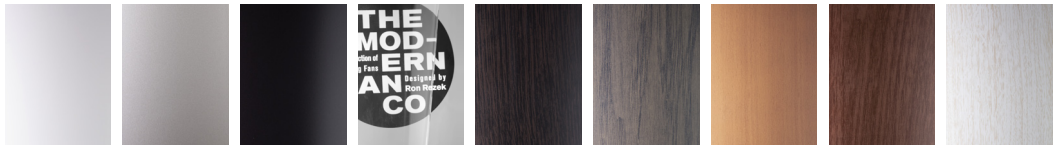
Gloss White Bright Nickel Dark Bronze



INJECTION MOLDED BLADES

Injection molded blades are constructed of ABS plastic (or "clear" polystyrene) and painted with solid colors or surface-printed with woodgrain detailing as shown here.

White Nickel Dark Clear Ebony Graywash Maple Mahogany Whitewash



IC/AIR3 DC CONTROLS

Our DC fan controls use RF transmission to a receiving unit included with each fan, providing six speeds, reversing and light function (on/off or dimming). Includes universal or dedicated channel selection and master power switch on wall control (if ordered). Control selection is made at time of order and incorporated into fan item number.

Wall Control (WC)



Remote Control (RC)



Wall/Remote Combo (CC)



* The IC/Air3 DC fan must use one of the above control options. Third party fan controls are not compatible with this product. The Remote Control (RC) can be used in combination with a standard power switch (on-off) in wall box.

** For ordering guidance to replace lost or damaged control components or to add secondary control to existing control sets (e.g. to add a handset to an existing wall control system), contact Modern Fan Co. customer support.

DOWN RODS

The IC/Air3 ships standard with 8" and 18" down rods. Use the following part numbers to order accessory down rods.

#DRD	Finish	Length
-	-	-
▲		▲
GW	Gloss White	12 12"
BN	Bright Nickel	24 24"
DB	Dark Bronze	36 36"
		48 48"
		60 60"
		72 72"

SLOPE ADAPTER

The IC/Air3 will accommodate ceiling slopes up to 33 degrees. The #045 slope adapter can accommodate slopes exceeding 33 degrees and up to 45 degrees.

#045	Finish
-	-
▲	
GW	Gloss White
BN	Bright Nickel
DB	Dark Bronze