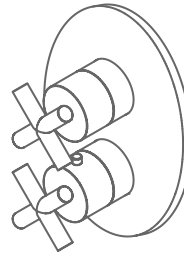


LACAVA



CIGNO built-in thermostatic valve with volume valve 15TH1.X.R

Specifications:

Installation:	built-in wall mount
Exterior Dimensions:	Ø 7 1/4"
Material:	solid brass construction with thermostatic cartridge - Vernet, and 90° ceramic cartridge
Water use:	10.5 GPM (43.5 PSI)
Finishes:	CR - polished chrome PN - polished nickel NI - brushed nickel BG - brushed gold 44 - matte black
Fittings included:	Rough-in # VTH1 and trim # 15TH1.X.R-A

Features:

- thermostatic valve with volume valve
- round backplate
- cross handles
- 3/4" NPT water IN and OUT connections
- anti-scald protection & temperature regulation
- water temperature set to 100°F
- volume valve with 90° rotating angle
- screwdriver service stops
- finished wall must be flush with mudguard as marked
- 1 1/4" extension kit available

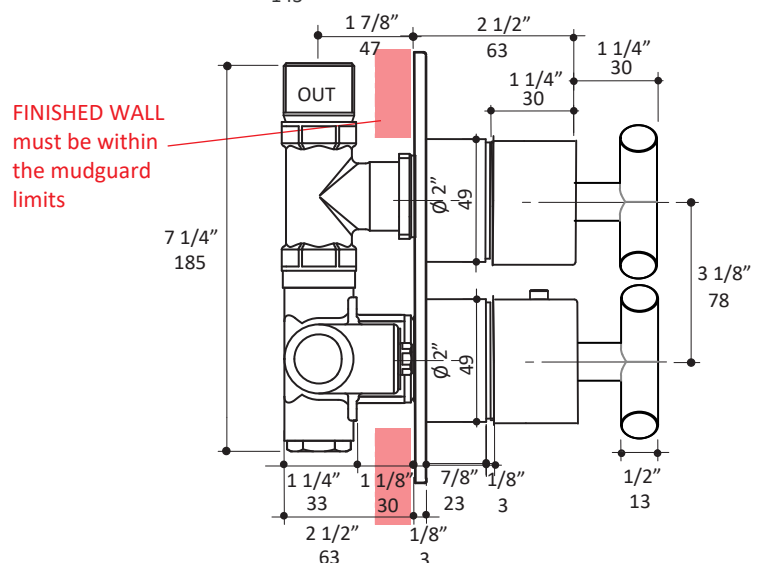
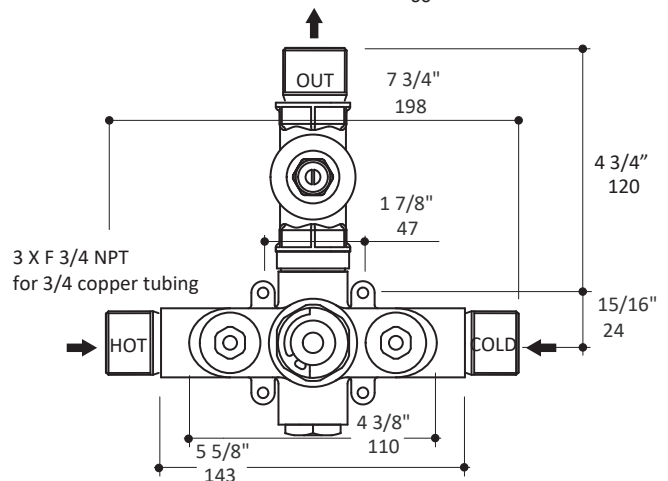
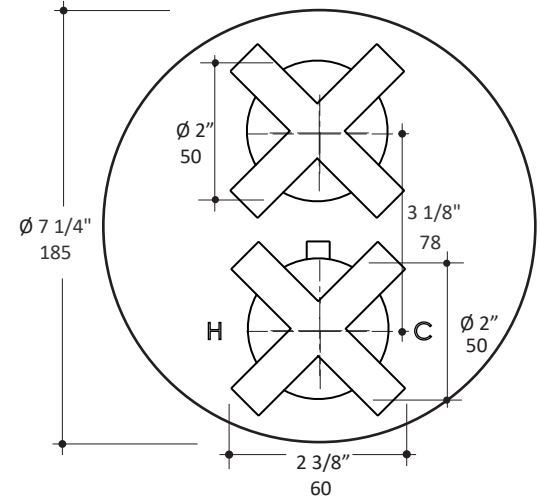
Codes + Standards:

- Meets and exceeds applicable national codes and standards
- CAL-Green compliant

ADA compliant when installed to specific requirements of this regulation

Recommended Items:

- Replacement parts:
 - VTH1 rough-in
 - 15TH1.X.R-A trim
 - VTH1-CT thermostatic cartridge
 - VTH1-C ceramic cartridge
 - VTH1-EX 1 1/4" extension kit



LACAVA reserves the right to revise any dimension or information on this sheet without notice. Dimensions are nominal and may vary within an industry accepted tolerance of 1/4". Drawings provided herein are meant to give the user an idea of the product and are not made to scale. Location of plumbing is meant for reference, your specific application may vary.
Revised: 07/19/2019