

# TR10006

## SPECIFICATION SHEET

Sophisticated LED technology meets indoor fixed track

- Frosted acrylic diffuser
- Brushed nickel, bronze or white metal finish
- Dimmable with ELV dimmer (Not included)
- 120V

Color Temp 3000K  
 CRI (Ra) >80  
 Dimming 100% - 10%  
 Rated Life 50,000 hours

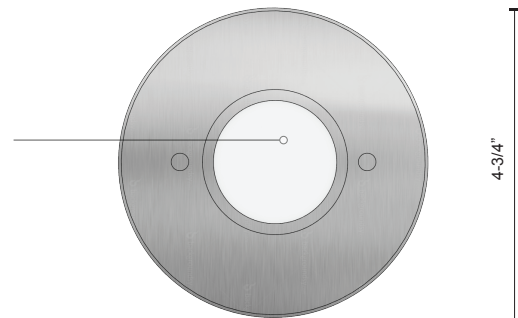
Voltage	Watt	LED Lumens	Delivered Lumens	Finish(es)
120V	5 W	400	299	BN - Brushed Nickel
120V	5 W	400	265	BZ - Bronze

PROJECT	
DATE	TYPE

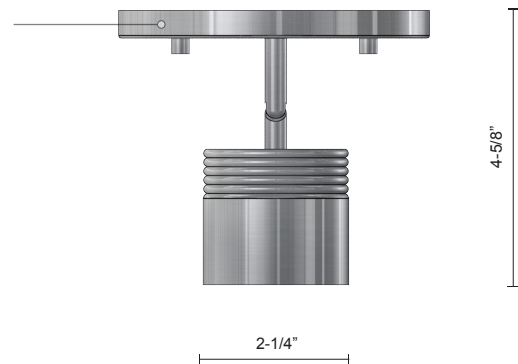


TR10006-BN

Frosted Acrylic Diffuser



Metal Finish  
 BN - Brushed Nickel  
 BZ - Bronze



\*Subject to testing confirmation



TR10006-BN



TR10006-BZ