

**SEPTUM
TL73708
TABLE LAMP**

PROJECT



TL73708-MB/CH
Matte
Black/Chrome



TL73708-CH
Chrome

SPECIFICATION DETAILS

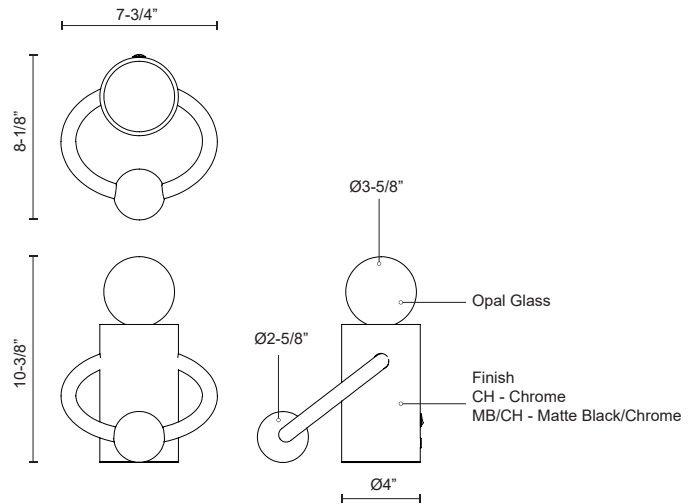
Fixture Dimensions	W7-3/4" x H10-3/8" x E8-1/8"
Extension	8-1/8"
Light Source	LED
Wattage	7W
Total Lumens	750lm
Delivered Lumens	400lm*
Voltage	120V
Color Temperature	3000K
CRI (Ra)	90CRI
Optional Color Temps	2700K - 5000K Available, Minimum Order Quantities Apply
LED Rated Life	50,000 hours
Dimming	On/Off Switch
Wire Length	96"
Wire Type	Black Braided Cord
Location	Dry
Glass Details	Opal Glass
Illumination Direction	Up

* For custom options, consult factory for details.

* For warranty information, please visit www.kuzcolighting.com/warranty

DESCRIPTION

Created in collaboration between Hannah Jewett and Kuzco, Septum was created as a functional lighting sculpture, featuring a sleek twist on the pierced metal hardware featured in Hannah Jewett's jewelry. The enlarged piercing allows for a new magnified look into one of the brand's classic yet futuristic silhouettes. Available in chrome or black.



KUZCO

CANADA: 19054 28TH AVENUE - SURREY, BC V3Z 6M3
USA: 3035 E. LONE MOUNTAIN ROAD - LAS VEGAS, NV 89081

WWW.KUZCOLIGHTING.COM

© 2023 KUZCO LIGHTING. ALL RIGHTS RESERVED.

COMMENT

