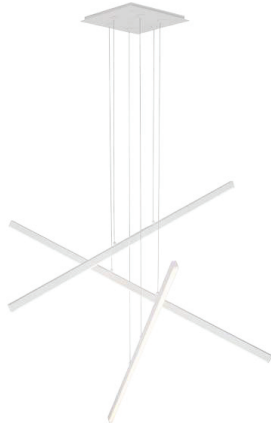


MP10303

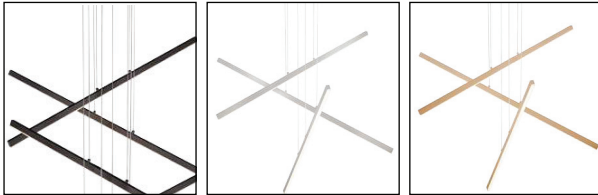
Specification Sheet

Pendant Lamp



WH - White

Other Finishes:



BK - Black

BN - Brushed Nickel

GD - Gold

Product Descriptions

The linear lights can be configured at different heights and angles to create distinct sculptural orientations and thematic goals. Ordered into clean parallels or jumbled in playful asymmetry. Can be customized to complement any space.

Product Details

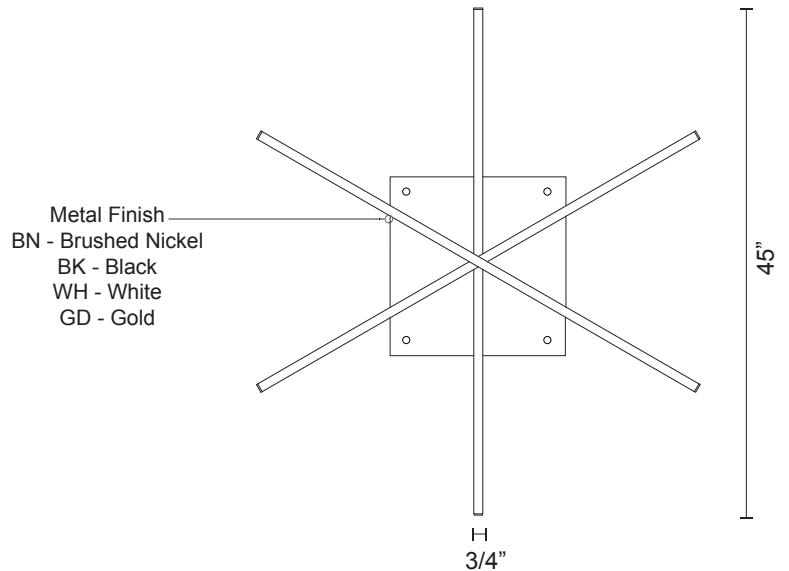
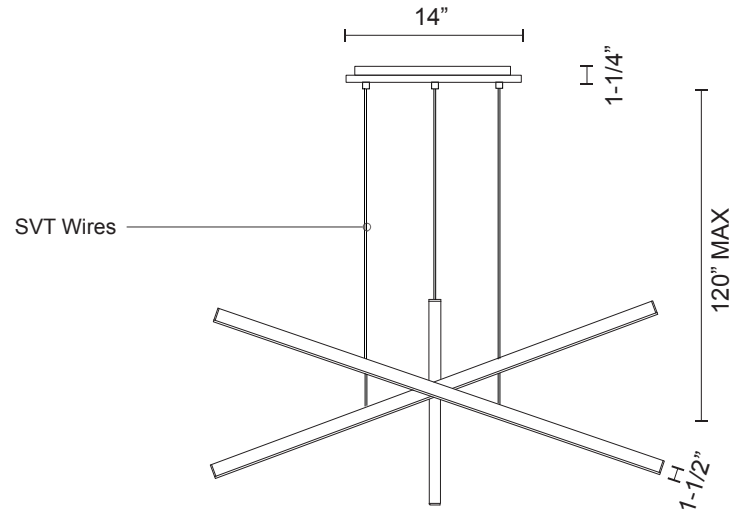
- High system efficacy
- Low total life cycle cost
- No visible flicker AC operation
- ETL Listed
- 5-year LED warranty and 1-year fixture warranty.
- Complete warranty terms located at: www.kuzcolighting.com/warranty
- Utilizes our patented Driverless LED Light Engine technology - connects directly to AC, no external driver needed.
- Available in brushed nickel, black, gold, or white finish. Adjustable linear lights
- Dimmable with ELV dimmer (not included)
- Custom options available

Fixture Weight:

Canopy dimensions:
L: 14" W: 14" H: 1-1/4"

PROJECT						V 1.0
DATE						TYPE
Voltage	Watt	LED Lumens	Delivered Lumens	Finish(es)		
120V	87W*	7200lm*	5100lm*	BN - Brushed Nickel	Color Temp 3000K	
120V	87W*	7200lm*	5100lm*	BK - Black	CRI (Ra) >90	
120V	87W*	7200lm*	5100lm*	WH - White	Dimming 100% - 10%	
120V	87W*	7200lm*	5100lm*	GD - Gold	Rated Life 50,000 hours	

*Preliminary figures



Comments: