

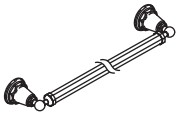
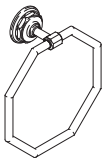

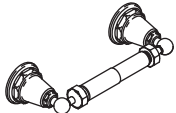
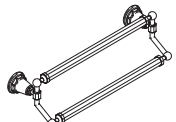
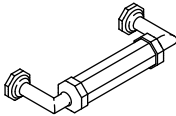
Features


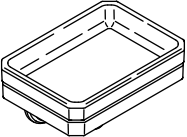
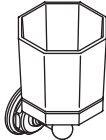
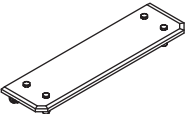
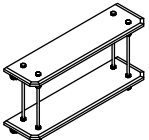
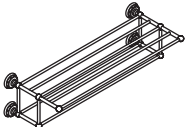
- Metal construction
- Classic styling
- Complements Pinstripe® Suite

Colors/Finishes

- CP: Polished Chrome
- Other: Refer to Price Book for additional colors/finishes

Specified Model

Model/Description	
K-13108 18" (457 mm) towel bar <input type="checkbox"/> CP <input type="checkbox"/> Other_____	
K-13109 24" (610 mm) towel bar <input type="checkbox"/> CP <input type="checkbox"/> Other_____	
K-13110 30" (762 mm) towel bar <input type="checkbox"/> CP <input type="checkbox"/> Other_____	
K-13112 Towel ring <input type="checkbox"/> CP <input type="checkbox"/> Other_____	
K-13113 Robe hook <input type="checkbox"/> CP <input type="checkbox"/> Other_____	
K-13114 Toilet tissue holder <input type="checkbox"/> CP <input type="checkbox"/> Other_____	
K-13117 24" (610 mm) double towel bar <input type="checkbox"/> CP <input type="checkbox"/> Other_____	
K-13125 Pull cabinet hardware <input type="checkbox"/> CP <input type="checkbox"/> Other_____	

Model/Description	
K-13126 Knob cabinet hardware <input type="checkbox"/> CP <input type="checkbox"/> Other_____	
K-13145 Soap dish <input type="checkbox"/> CP <input type="checkbox"/> Other_____	
K-13146 Tumbler <input type="checkbox"/> CP <input type="checkbox"/> Other_____	
K-13147 Glass shelf <input type="checkbox"/> CP <input type="checkbox"/> Other_____	
K-13148 Double glass shelf <input type="checkbox"/> CP <input type="checkbox"/> Other_____	
K-13149 Hotelier <input type="checkbox"/> CP <input type="checkbox"/> Other_____	

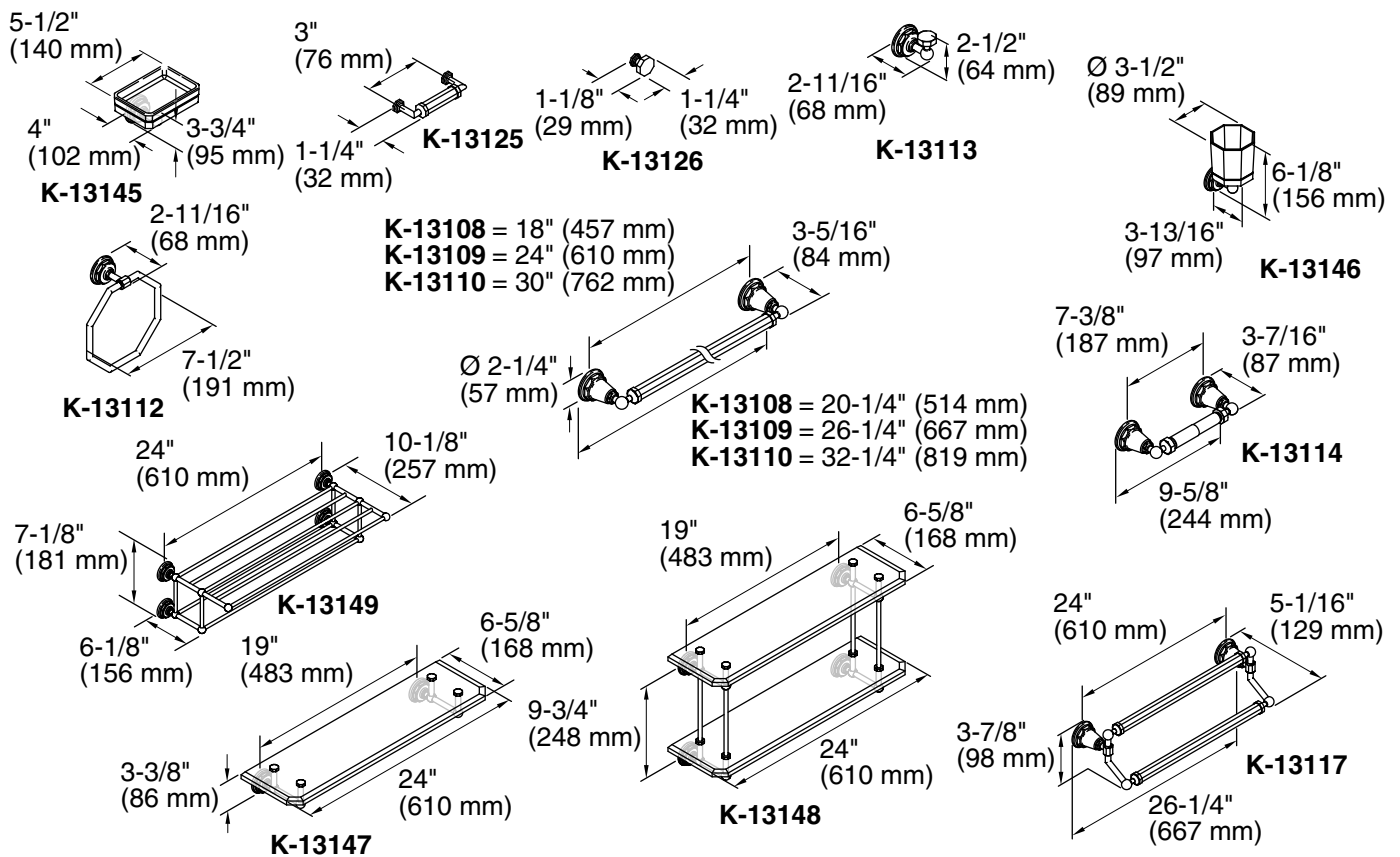
PINSTRIBE®

Installation Notes



CAUTION: Risk of personal injury. Do not install these products in any area where they are likely to be used inadvertently as a grab bar or support bar. These products are not designed or intended for use as a grab bar or support bar.

Install this product according to the installation guide.



Product Diagram