

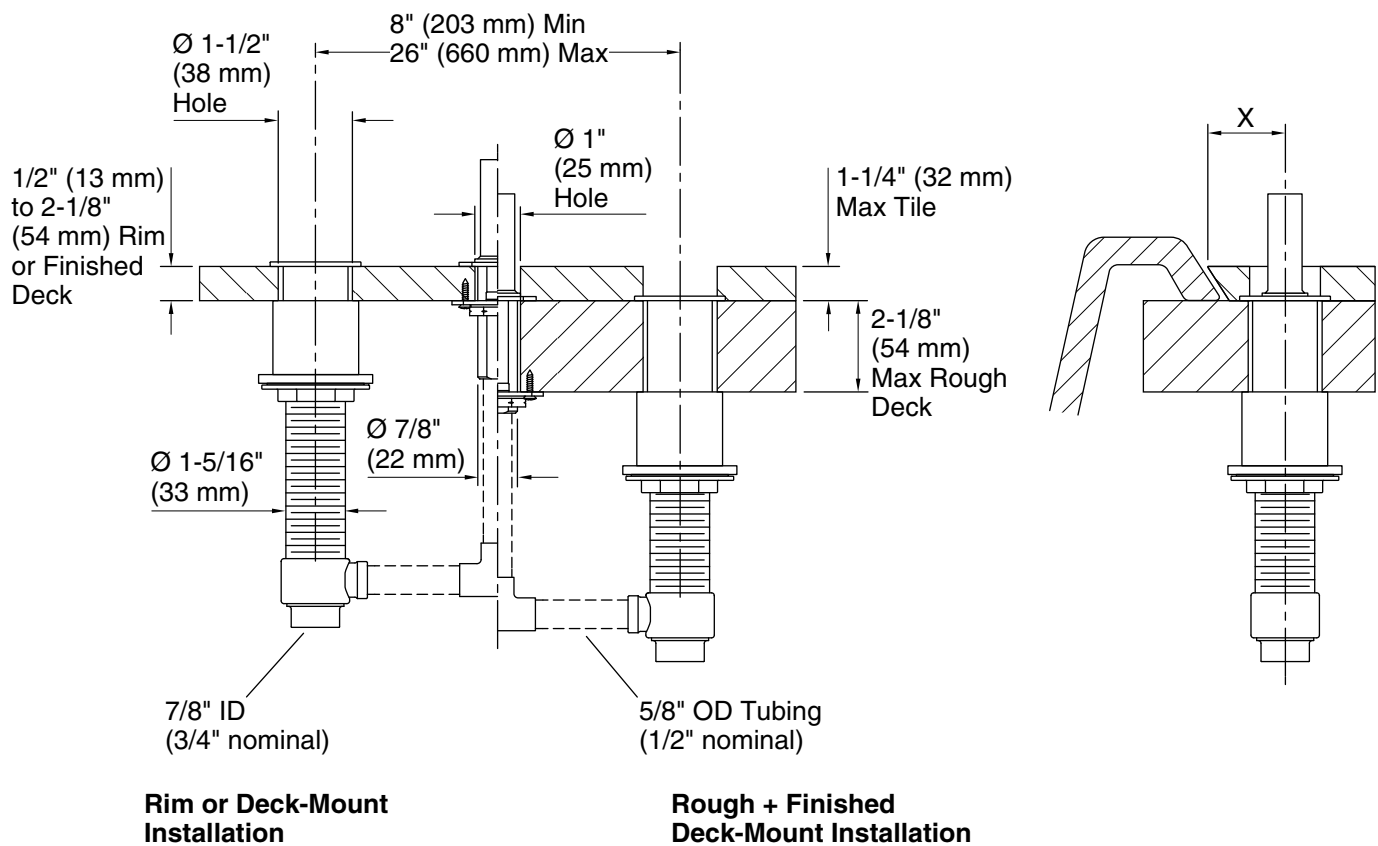
FEATURES

- Brass valve bodies
- Bath- or deck-mount
- 3/4" quarter-turn washerless ceramic disc valves
- High-flow valving

CODES/STANDARDS APPLICABLE

- Specified model meets or exceeds the following:
- ASME A112.18.1/CSA B125.1

P19303



INSTALLATION NOTES

X = Varies depending on the faucet being installed. Distance from the centerline of the spout inlet to the front of the spout base plus 1/2" (13 mm).

SPECIFIED MODEL

Model	Description	Finishes
P19303-00	3/4" Ceramic High-Flow Valve Deep Rough-In	<input type="checkbox"/> NA

We reserve the right to make revisions without notice in the design of products or in packaging unless this right has specifically been waived at the time the order is accepted.