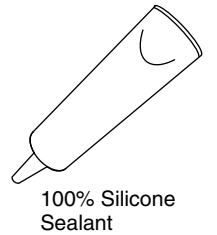
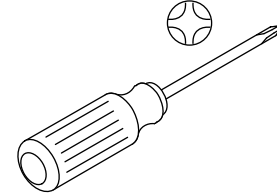
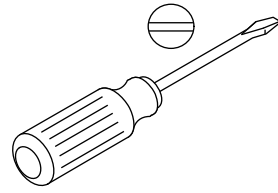
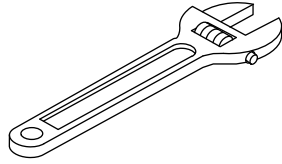
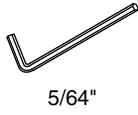
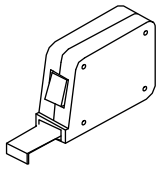


# KALLISTA®

## Installation Guide



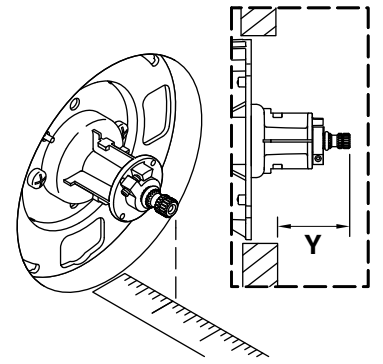
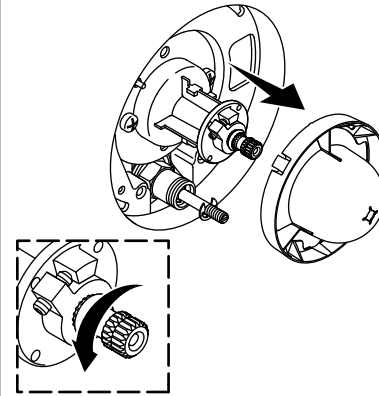
**⚠ WARNING: Risk of scalding.** High water temperature can cause severe burns. Set the water temperature at or below 120°F (49°C) following the adjustment procedure in the valve Installation and Care Guide.

**Record your model number.**

**Important Information**  
Observe all local plumbing and building codes.

**1** Remove the plaster guard. Rotate the valve stem closed.

**2** Measure "Y" from the finished wall.



**3** If "Y" is within the dimensions below, choose and orient the reversible adapter as shown.

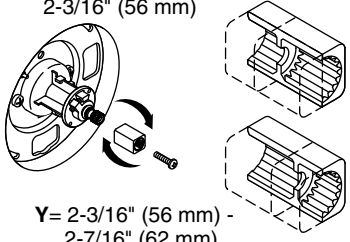
**4** Choose the short adapter when "Y" is within the dimensions below.

**5** Install the correct parts according to "Y." Verify level.

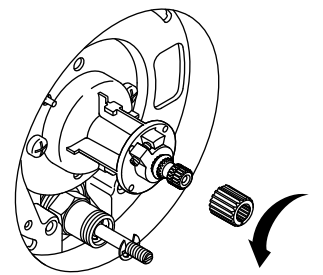
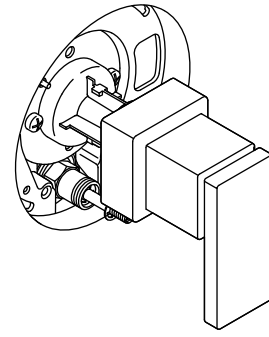
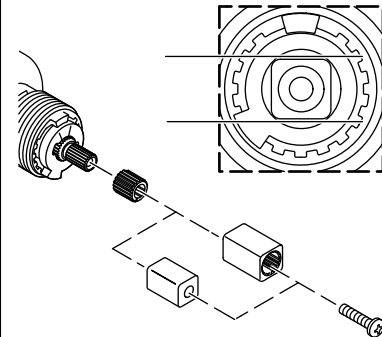
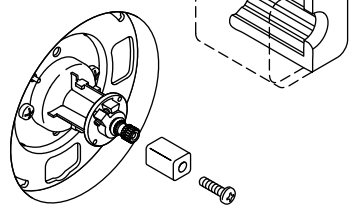
**6** Dry fit the handle to confirm vertical alignment in the OFF position.

**7** To adjust handle position, rotate the adapter one tooth. Repeat until aligned.

Y = 1-15/16" (49 mm) -  
2-3/16" (56 mm)



Y = 2-7/16" (62 mm) -  
2-11/16" (68 mm)



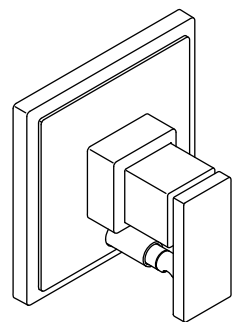
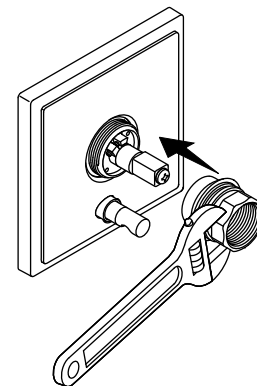
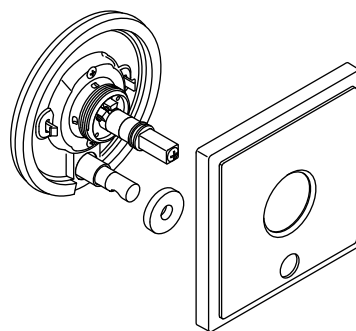
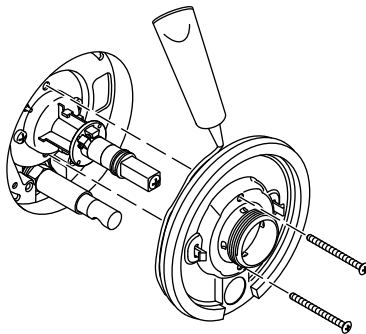
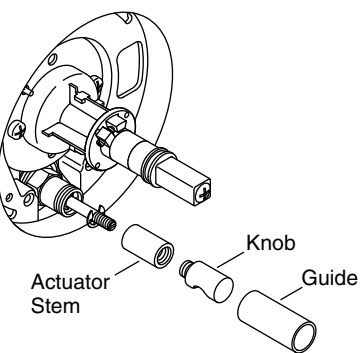
**8** Hold the diverter stem and install the actuator stem. Thread the knob onto the actuator stem. Thread the guide onto the diverter housing.

**9** For installation to a tiled wall, apply 100% silicone sealant to the back edge of the seal plate. Slide the seal plate onto the valve and secure. Do not overtighten.

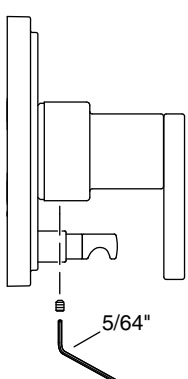
**10** Install the foam gasket over the guide and fit the faceplate over the seal plate.

**11** Thread the adapter onto the valve. Securely tighten.

**12** Point the handle down and slide onto the stem.



**13** Secure the handle with the setscrew.



Questions? Problems? For additional assistance, please contact  
KALLISTA's Customer Service Department at 1-888-4-KALLISTA  
(1-888-452-5547) or [kallista.com](http://kallista.com).