

KALLISTA®

3/4" Diverter Valve and Trim

INSTALLATION INSTRUCTIONS


P24020, P24120,
P24121, P29510

INSTALLATION INSTRUCTIONS

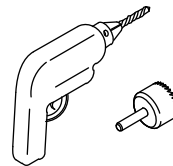
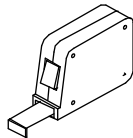
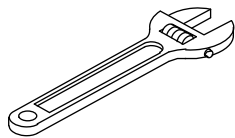
THANK YOU FOR CHOOSING KALLISTA

We appreciate your commitment to KALLISTA quality products. Please take a moment to review this manual before you install your KALLISTA product. If you encounter any installation or performance problems, please do not hesitate to contact us at the phone number listed at the bottom of the page.

BEFORE YOU BEGIN

-  **CAUTION: Risk of personal injury.** This product is a diverter valve only and should never be used as a shut-off valve. Use as a shut-off valve will allow cross flow between the hot and cold water supplies, and will create a serious scalding hazard.
- Please read all instructions before you begin.
 - Prior to installation, unpack the diverter valve and trim and inspect for damage. Return to the carton until installation.
 - Observe all local plumbing and building codes.
 - Shut off the water supply.
 - You can extend the distance between the diverter and the braided hose connection with 1/2" copper piping below the bath rim, but it may not be safe or practical. A long run of piping will mean a long run of room-temperature standing water when the handshower is first activated for use.
 - KALLISTA reserves the right to make revisions in the design of products without notice, as specified in the Price Book.

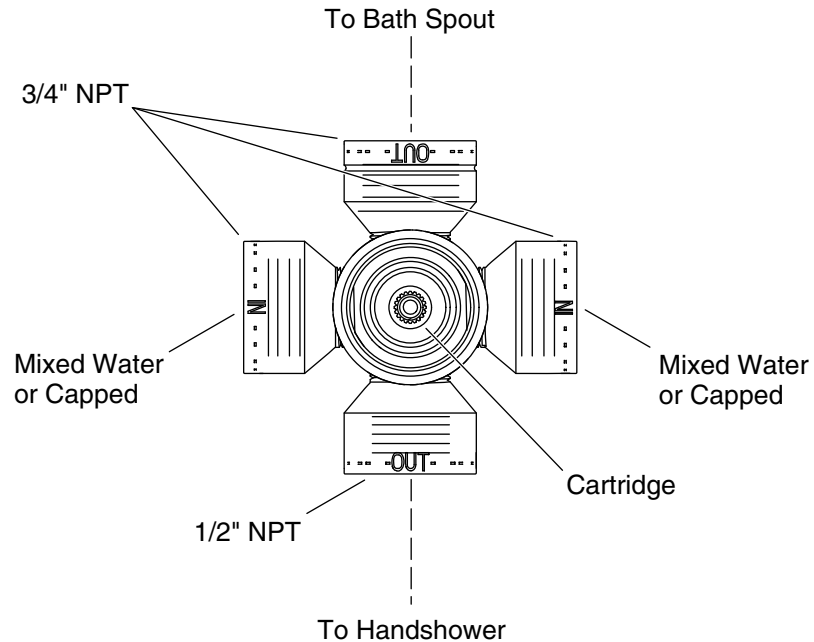
TOOLS AND MATERIALS

**Plus:**

- Supply piping, connectors, and caps

INSTALLATION INSTRUCTIONS

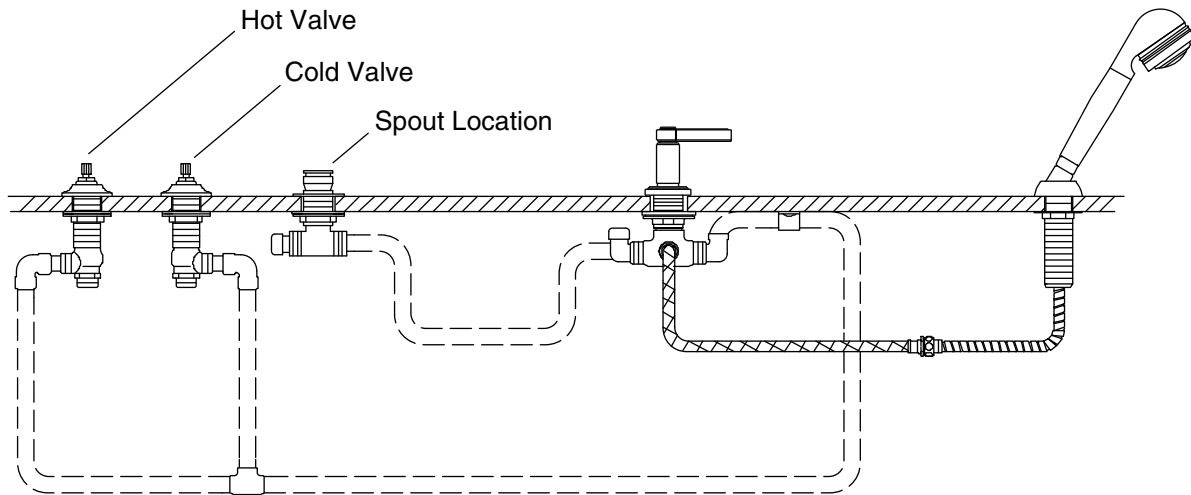
1. DIVERTER CONFIGURATION



- The 3/4" port marked "OUT" is for directing mixed water to a bath spout. The default water flow is through this port.
- The 1/2" port marked "OUT" is for a handshower.
- The ports marked "IN" are for the mixed water inlet supplies. These ports are interchangeable. If only one of these ports is needed, cap the other port.

INSTALLATION INSTRUCTIONS

2. PIPING CONFIGURATIONS

**Deck-Mount**

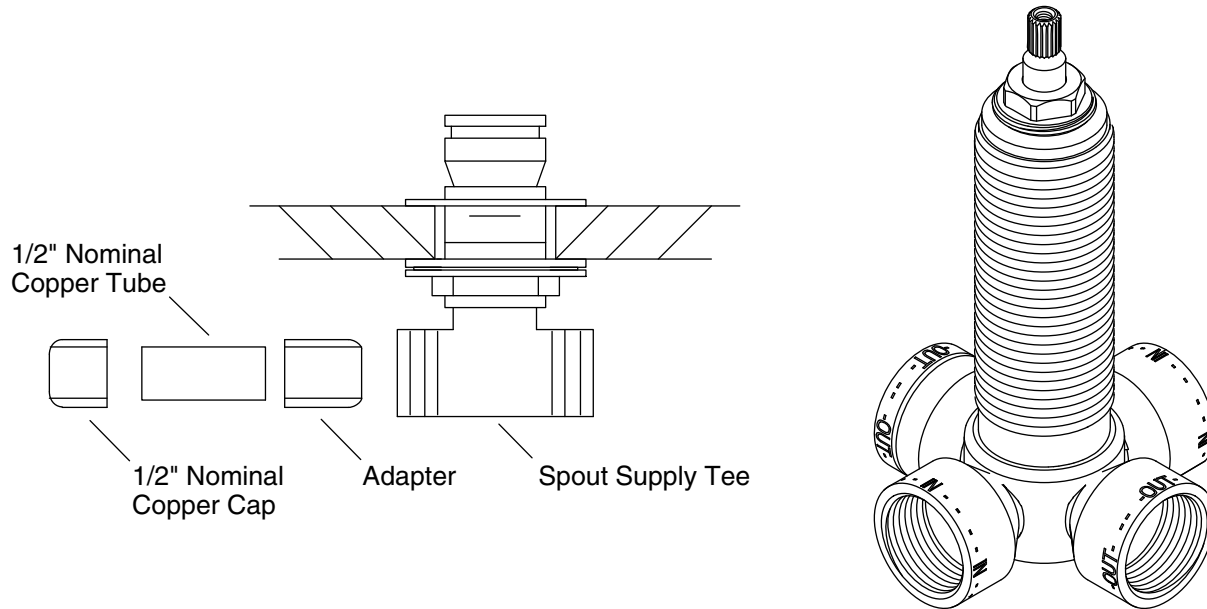
- Verify the location of the components and the orientation of all ports.
- Decide in advance on the location and orientation of the diverter. The location of the handshower as well as the direction in which the inlets and outlets point will affect the piping and connectors needed.
- Allow clearance for the valve outlets, handles, handshower hoses, and the spout connection.

NOTE: You can extend the distance between the diverter and the braided hose connection with 1/2" copper piping below the bath rim, but it may not be safe or practical. A long run of piping will mean a long run of room-temperature standing water when the handshower is first activated for use.

- Secure long runs of piping to the underside of the deck or rim. If the piping cannot be secured at a point near the diverter, secure the piping from underneath using lumber or other suitable support.

INSTALLATION INSTRUCTIONS

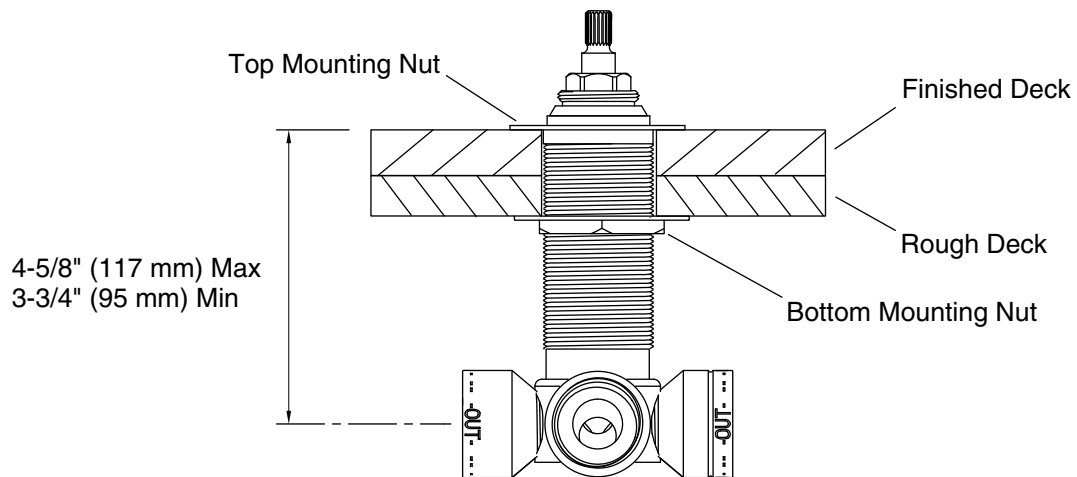
3. PREPARATION



- Provide an access panel for all installations.
- Allow for access to the connection between the shower high-pressure hose and the shower interlock hose.
- For easiest installation, do not install the bath unit until all soldering (except supplies) is complete. Then install the bath and connect the supplies.
- If used, install the bath spout shank at this time according to the spout installation instructions. If possible, do not install the finished trim until all other installations and construction are completed.
- For spouts with a supply tee:** Solder in an adapter and a 1/2" copper tube. Cap to close the extra port.
- Install the valve bodies according to the valve body installation instructions.
- Loosely attach the valve bodies.
- Follow the handle installation instructions to temporarily assemble the handles so you can adjust the valves to the proper height. Adjust the valve height before connecting the lines to the diverter or supply.

INSTALLATION INSTRUCTIONS

4. INSTALL THE DIVERTER



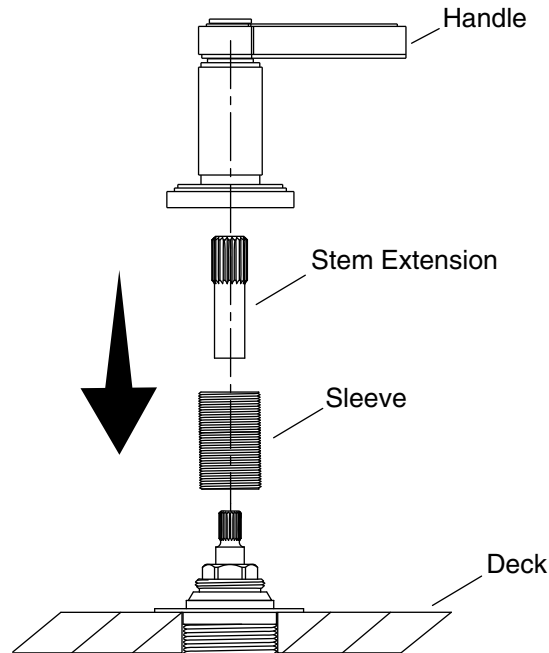
- Drill a 1-3/8" (35 mm) hole at the diverter installation location.

NOTE: You may need assistance to align and secure the diverter.

- With the hex side down, thread the bottom mounting nut all the way down onto the diverter body.
- Remove the top collar.
- Install the diverter valve from underneath the deck.
- Thread the top collar back onto the diverter until it is securely held in place on the deck.
- Align the inlets and outlets.
- Tighten the bottom mounting nut.

INSTALLATION INSTRUCTIONS

5. INSTALL THE HANDLE / TRIM



- Turn the stem to the closed position.
- Remove the sleeve from the handle.
- Thread the sleeve onto the valve.
- Position the stem extension (if included) on the valve stem.
- Thread the handle escutcheon onto the diverter with the handle aligned in the closed position.

6. COMPLETE THE INSTALLATION

- Connect the hot and cold water supply lines.
- Complete the installation of the valve, valve trim, and any other components according to the instructions.
- Ensure all connections are tight.
- Open the drain.
- Turn on the water supply and check for leaks. Repair as needed.
- Open both hot and cold valves and run water through the spout (if installed) to remove debris. Check for leaks.
- Confirm proper diverter operation.
- Turn the valves to the closed position.