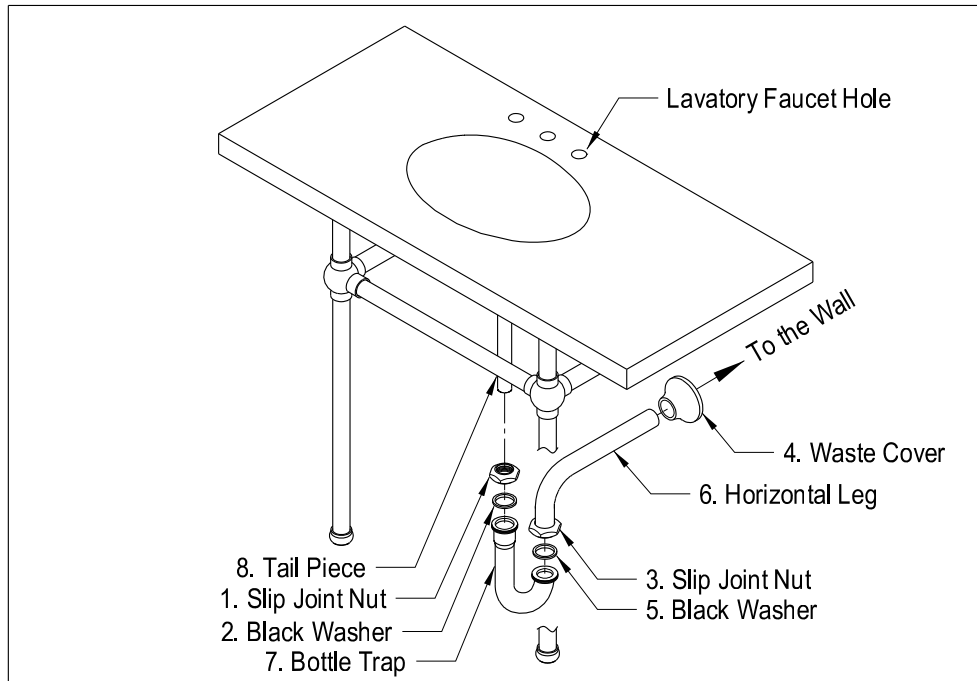
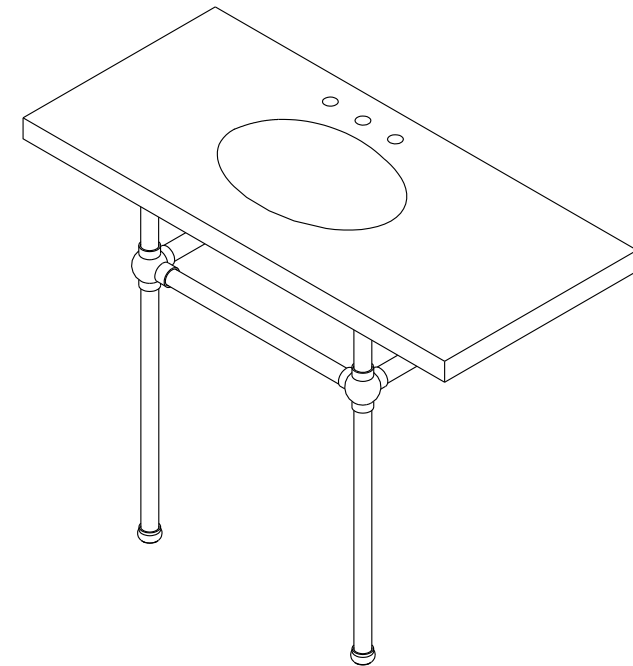


## P-Trap Installation:



1. Remove horizontal leg and slip joint nut from bottle trap.
2. Apply teflon to all exposed threads.
3. Insert slip joint nut(3) and waste cover(4) onto horizontal leg(6).
4. Insert horizontal leg into wall waste opening, do not tighten.
5. Insert black washer(2) and slip joint nut(1) onto tail piece(8).
6. Attach bottle trap(7) to tail piece and hand tighten slip joint nut(1).
7. Align bottle trap with horizontal leg and tail piece, at this point it may be necessary to cut part of tail piece or part of horizontal leg to obtain proper alignment.
8. After all components have been properly aligned, insert horizontal leg making sure to insert black washer(5) before tightening slip joint nut(3).
9. Thread both slip joint nuts onto bottle trap and tighten along with slip joint securing horizontal leg to wall waste opening.
10. Check for leakage by opening faucet and letting water run for at least 45 seconds.

# FAUCETURE



[www.kingstonbrass.com](http://www.kingstonbrass.com)  
TOLL-FREE CUSTOMER SERVICE: 1-877-2-KBRASS  
TECHNICAL SUPPORT E-mail: [service@kingstonbrass.com](mailto:service@kingstonbrass.com)  
12775 Reservoir Street, Chino, CA91710

# FAUCETURE

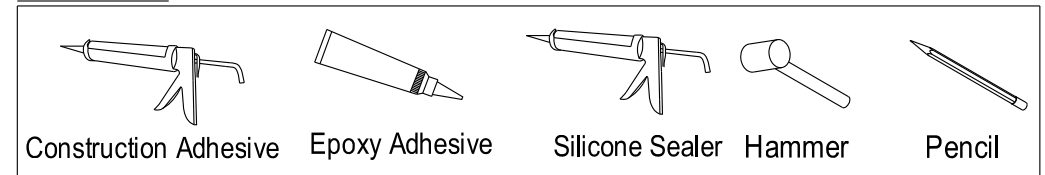
## INSTALLATION INSTRUCTIONS For Use WALL MOUNT BASIN

### Granite/Marble Care & Maintenance

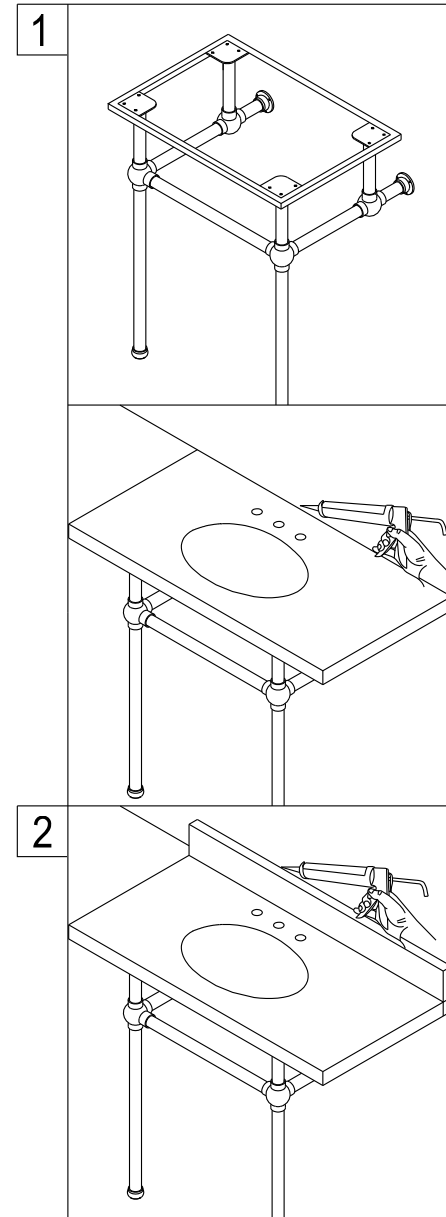
Your new granite/marble vessel top has been factory sealed and polished to a smooth glass finish. In order to maintain the surface and keep it looking fresh and natural, we recommend the following procedures:

1. All stone products require a resealing at least once a year. Since your top has already been sealed at the factory, you will need to schedule your top for resealing accordingly.
2. Before applying the sealer, the exposed areas should be completely clean and dry.
3. For routine maintenance and cleaning, we recommend Stone Care's "Clean Encounters." The cleaner should be used weekly and more frequently with heavier than usual use or for cleaning of chemicals, such as those commonly found in the bathroom. Be sure to follow the instructions on the container.
4. To keep your granite/marble vessel top hygienically clean, we recommend Stone Care's "Counteriffic" on a weekly basis. This spray disinfectant will kill all types of bacteria and is FDA and EPA approved for food handling surfaces.
5. Liquid spills, such as alcohol, medications, etc should be cleaned up promptly. Some liquids with high-acid content can etch granite/marble surfaces if left for any length of time. Popular products that should be promptly cleaned up are: shaving cream, toothpaste, perfume, cologne, nail polish remover, hair coloring and perm products, shampoo, drain opener, and toilet bowl cleaner.
6. Place protective pads on the bottoms of any heavy objects, such as pottery, appliances, or other objects that may scratch the granite/marble surface.
7. Avoid abrasive cleaners or rough cleaning pads. If necessary, a soft buffing pad can be used.
8. Use coasters under drinking glasses to prevent glass rings on the surface.
9. Do not stand on the granite/marble top to fix overhead lights or other items

### Need Tools:



### Installation Step :

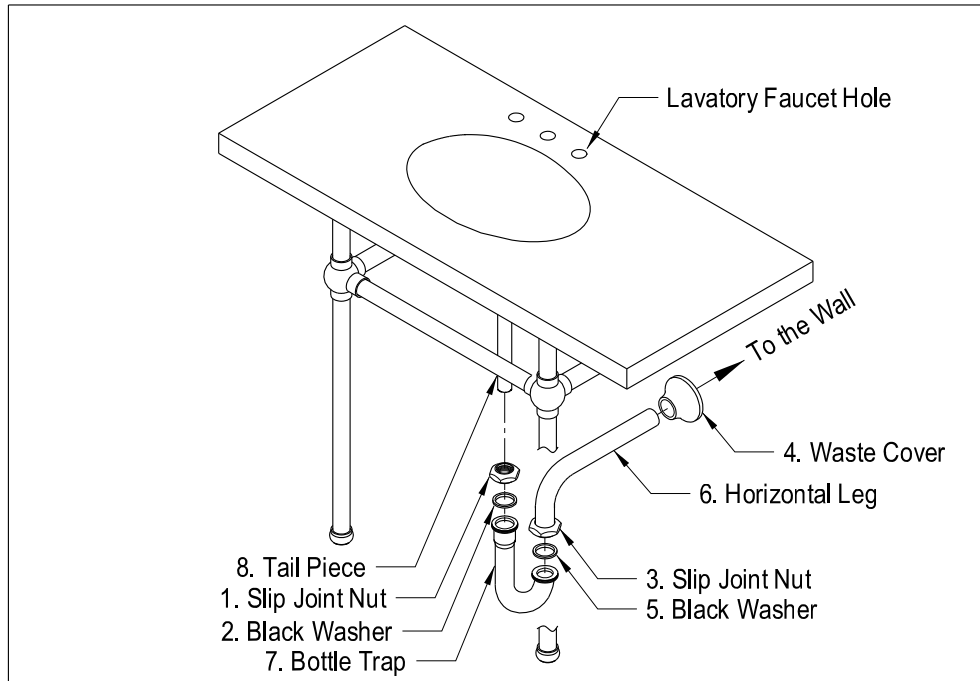


1. Apply a bead of silicone sealer on the top edges of the vanity cabinet. Place your Pegasus granite/marble top on it with an overhang of 1/2" on the edges and permit the sealer to dry. See manufacturers instructions for drying time.
2. If you plan to use the enclosed and provided 4" back splash, apply two beads of caulking or construction adhesive on the rear of the backsplash (and the sides splash if required) and push firmly to the wall. Be sure the wall is clean, dry and smooth. You may use a polishing compound if your wall is uneven or has holes or indentations. Remove loose paint or any wallpaper or decorative material before installation of the back or side splash.

### CAUTION!!!!:

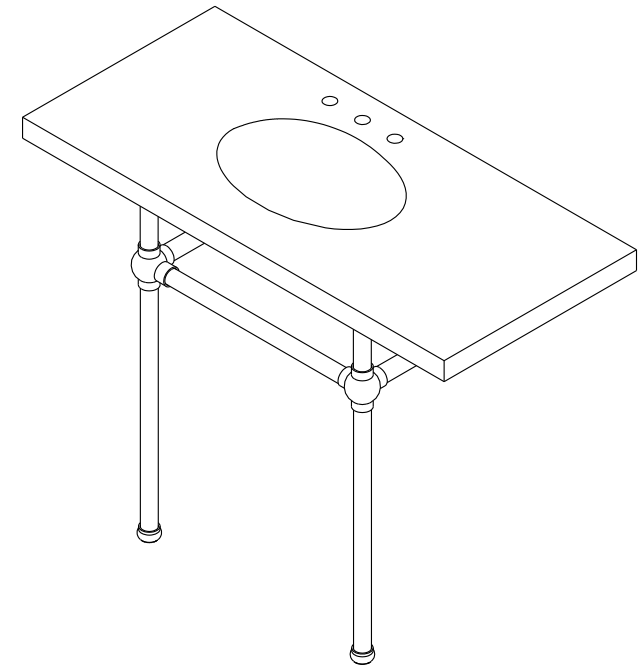
Please make sure the faucet you have selected will not interfere with the backsplash. In some installations, the base of your faucet might be too large in diameter to allow for back splash installation.

## P-Trap Installation:


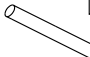
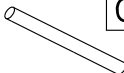
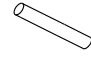


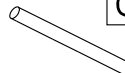



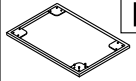


1. Remove horizontal leg and slip joint nut from bottle trap.
2. Apply teflon to all exposed threads.
3. Insert slip joint nut(3) and waste cover(4) onto horizontal leg(6).
4. Insert horizontal leg into wall waste opening, do not tighten.
5. Insert black washer(2) and slip joint nut(1) onto tail piece(8).
6. Attach bottle trap(7) to tail piece and hand tighten slip joint nut(1).
7. Align bottle trap with horizontal leg and tail piece, at this point it may be necessary to cut part of tail piece or part of horizontal leg to obtain proper alignment.
8. After all components have been properly aligned, insert horizontal leg making sure to insert black washer(5) before tightening slip joint nut(3).
9. Thread both slip joint nuts onto bottle trap and tighten along with slip joint securing horizontal leg to wall waste opening.
10. Check for leakage by opening faucet and letting water run for at least 45 seconds.

**KINGSTON BRASS**  
THE TRADITION OF FINE BRASS



### Parts:

| Flange  | Side bar  | Support bar   | Support bar   | 3-Way Ball Joint  | 4-Way Ball Joint  |
|---|---|---|---|---|---|
|  A |  B |  C |  D |  E |  F |
| 6 Pcs   | 2 Pcs   | 2 Pcs   | 2 Pcs   | 2 Pcs   | 2 Pcs   |
| Front Bar   | Foot Piece  | Floor Screw   | Mounting Screw & Anchor   | Frame   |   |
|  G |  H |  I |  J |  K |   |
| 1 Pc  | 2 Pcs   | 2 Pcs   | 6 Pcs   | 1 Pc  |   |

[www.kingstonbrass.com](http://www.kingstonbrass.com)

TOLL-FREE CUSTOMER SERVICE: 1-877-2-KBRASS  
TECHNICAL SUPPORT E-mail: [service@kingstonbrass.com](mailto:service@kingstonbrass.com)  
12775 Reservoir Street, Chino, CA91710

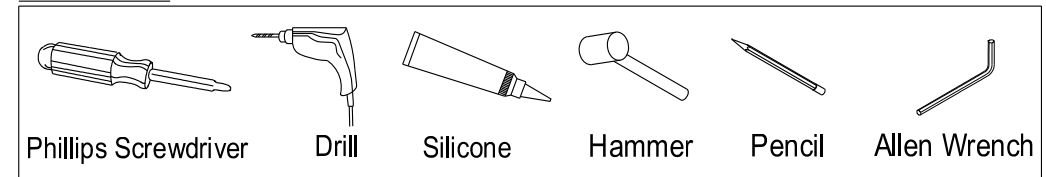
# KINGSTON BRASS

THE TRADITION OF FINE BRASS

## INSTALLATION INSTRUCTIONS

For Use KB's WASH BASIN PEDESTAL

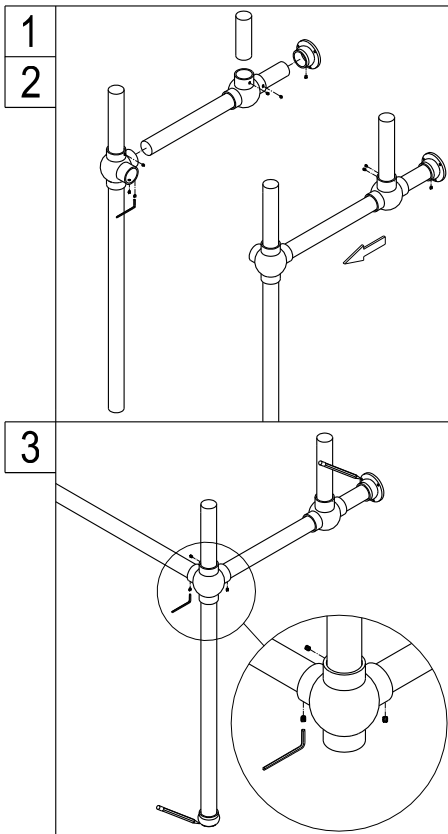
### Need Tools:



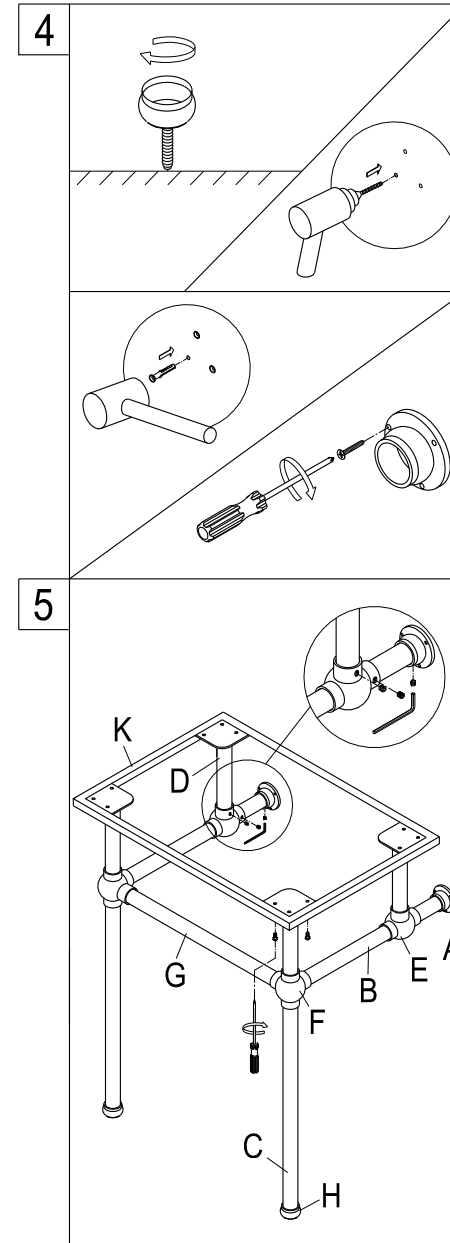
### Before Installation :

1. Prior the installation, unpack your new Kingston Brass product and inspect it keep the product in its original package until you are ready to install it.
2. Shut the water supply off when replacing an existing fixture. Preparation of the floors and walls, including all additional wall supports, maybe required.
3. Observe all local plumbing and building codes.
4. Do not install this fixture alone.
5. Make sure to select appropriate drain as some of Kingston Brass vessel sinks do not include overflow hole.

### Installation Step :



1. Start by assembling both side support legs as shown on figure 1, If necessary refer to the parts breakdown chart included in these installation instructions, after assembling Right & Left sides of the support legs, attach front bar(G) to join both sides, make sure to tighten all set screws on the leg support assembly
2. With the help of a second person position the leg support assembly at the desired location, make sure to level and plumb the leg support assembly, mark the location of the holes on the wall support flanges as well as the perimeter of the location of the floor flange.
3. Install the appropriate anchors for the type of wall and floor where this washbasin will be installed, if necessary add wood support braces inside your wall in order to insure a secure support, screw in the floor flange at the marked location.



4. Insert the assembled leg support assembly into the floor flange and attach to the wall support flanges.
5. Screw top frame to support structure by fastening with screws to each leg.

**Important:** We do recommend installing wood blocking inside your wall to add support to your stand. If you choose not to insert wood blocking, you will need to use heavy duty anchors (such as steel or toggles).

**Cleaning Instructions:** Wipe this whole set off with warm water and a soft cloth. Do not use soaps, cleansers, or brass cleaners as they will disintegrate the protective coating and leave the brass exposed therefore causing tarnishing.