

#### STEP 7

Apply caulking compound around the perimeter of the cutout opening.

#### STEP 8

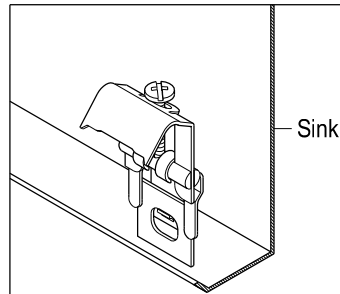
Attach faucet and strainers as necessary according to the manufacturer's instructions.

#### STEP 9

Verify your sink installation channel and clips that came with the sink and follow proper instructions below.

#### STEP 10

Place the sink upside down. Hold clip by the bracket firmly and insert one leg at a time in 45 degree angle to the slot in the I-channel, facing sharp teeth toward the outer edge of the sink.

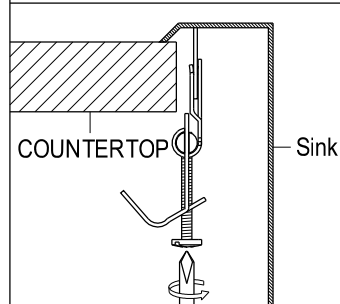


#### STEP 11

Attach 3 clips in front and back. 2 clips to each side. Use extreme caution while inserting clips as the teeth are sharp and may cause injury.

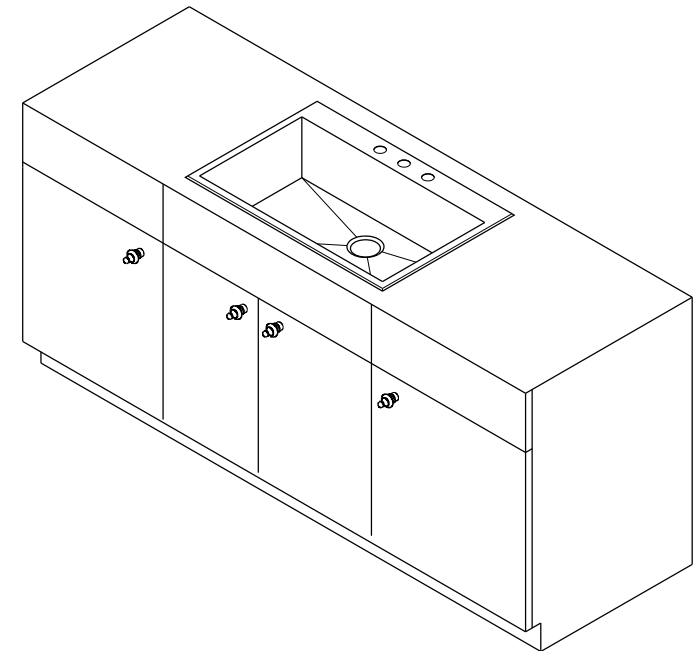
#### STEP 12

Place the sink carefully into the cutout opening and be sure it is properly seated. Make sure the sink rim covers caulking all around. Then press down firmly around perimeter of the sink rim.



#### STEP 13

Tighten all clips evenly and do not over tighten as damage can result. Install drain and water supply fitting as necessary. Wipe excess caulking compound and check carefully as some adjustment for position and tightness may be required.



[www.kingstonbrass.com](http://www.kingstonbrass.com)

TOLL-FREE CUSTOMER SERVICE: 1-877-2-KBRASS

TECHNICAL SUPPORT E-mail: [service@kingstonbrass.com](mailto:service@kingstonbrass.com)

12775 Reservoir Street, Chino, CA91710



## KINGSTON BRASS INSTALLATION INSTRUCTIONS SELF-RIMMING SINK

These instructions are for installing Kingston Brass self-rimming stainless steel sink and self-rimming Sinks are sinks that are installed from above the countertop and sealed to the top of the counter.

If you are Installing another type of sink, such as an undermount sink which sits below the countertop, please refer to instructions specifically for those sinks.

Templates are supplied only as a guide.

The physical use of the sink will ensure a more accurate cutout.

### Note:

It is recommended that all countertops be cut by an approved or certified installer and that. The sinks be installed by the installer whenever possible. The countertop/sink unit ideally should be Installed as one on the jobsite.

Before installing the sink, inspect it for damage. Do not install a damaged unit. Remember, it is your responsibility to follow all local plumbing and building codes. The warranty will be voided if these installation instructions are not followed.

### STEP 1

Remove your new sink from the carton. Use caution as sink edges may cause minor cuts. Wear safety gloves for your protection.

### STEP 2

If you are replacing old sink, remove old one and verify existing countertop opening will fit your new sink by setting it temporarily.

### STEP 3

If you are installing a sink to a new counter top please follow directions as shown. (Please see template that comes with the sink)

### STEP 4

Place sink upside down on the counter top in desired position and trace completely outside sink rim using soft lead pencil. (Figure 1)

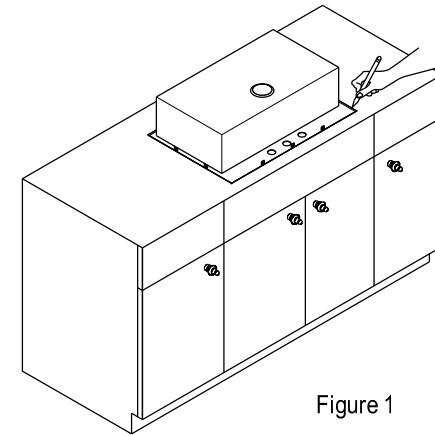


Figure 1

### STEP 5

Remove sink from counter top and draw cutout line 5/16" inside the original rim outside line with 1-1/2" radius at corners. Drill hole at the inside corner of the cutout line. (Figure 2)

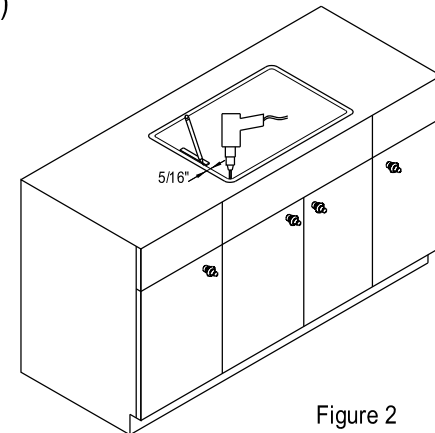


Figure 2

### STEP 6

Using a jig saw, start cutting from the drilled hole along the cutout line. (Figure 3)

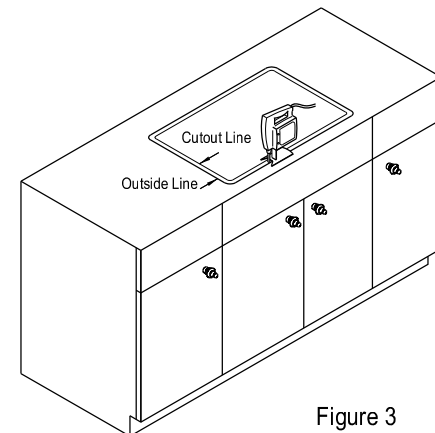


Figure 3