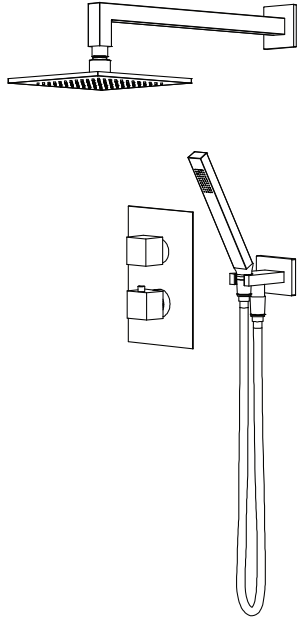


160.7050 | Two Output Shower W/ Rain Head & Hand Held



COMPONENTS

- HS1011SA - 16" Shower Arm
- HS1001A - 8" Shower Head
- 160.4420T - Shower Trim
- TVH.4420 - Shower Valve
- HS1003 - Hand Held Set

SHOWER VALVE:

- Thermostatic shower valve
- Valve includes service stops
- Turn bottom handle to set temp.
- Top handle controls water diversion
- No shared ports

SHOWER HEAD:

- Solid brass construction
- 1.8 GPM flow rate

HAND HELD:

- Solid Brass construction
- 1.8 GPM flow rate
- With back flow prevention check valve

STANDARDS:

- ASME A112.18.1 / CSA B125.1

See individual component specification sheets on following pages for further details.



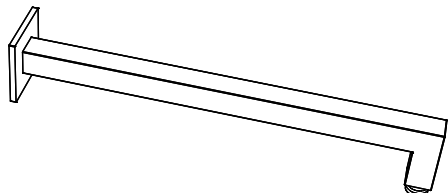
HS1011SA | Square Shower Arm - 400mm - 16"

SPECIFICATIONS:

- Solid Brass Shower Arm
- With Sliding Flange

FAST SHIP FINISHES :

- Chrome - HS1011SACP / Brushed Nickel - HS1011SABN



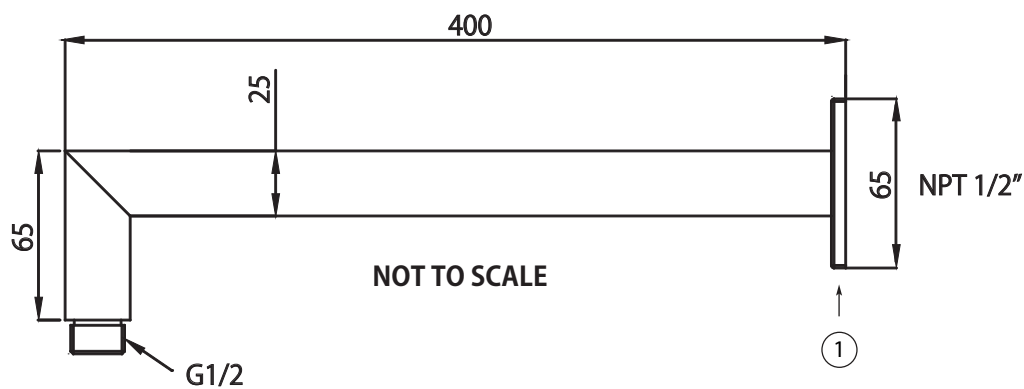
Legislation Compliance



ZeroDrip Technology



Technical Diagram



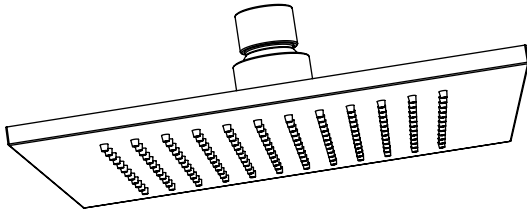
Part Number Guide:

- ① Flange - HS1001SA-1253CP - Chrome
HS1001SA-1253BN - Brushed Nickel

HS1001A | 8" Brass Shower Head

SPECIFICATIONS:

- Solid Brass Shower Head
- Scrub rubber nozzles to easily clean water sediment
- 1.8 GPM Flow Rate



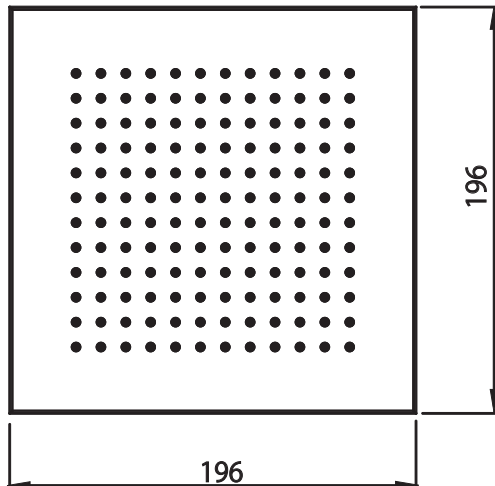
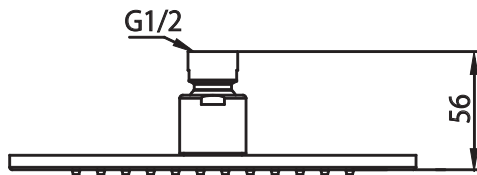
Legislation Compliance



ZeroDrip Technology

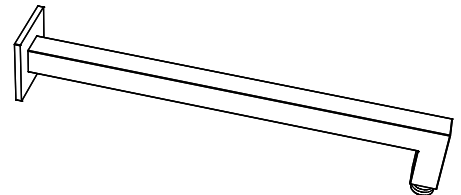


Technical Diagram

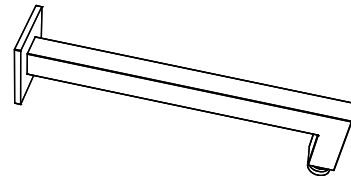


MATCHING SHOWER ARMS:

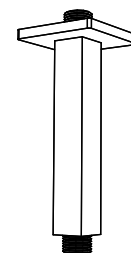
- 1) HS1011SA (16" Wall Mount Shower Arm)



- 2) HS1001SA (12" Wall Mount Shower Arm)



- 3) 160.6CSA (6" Ceiling Mount Shower Arm)





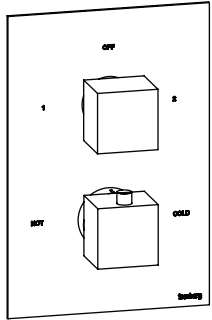
160.4420 | 3/4" Thermostatic Valve With 2-Way Diverter & Integrated Volume Control & Trim

SPECIFICATIONS:

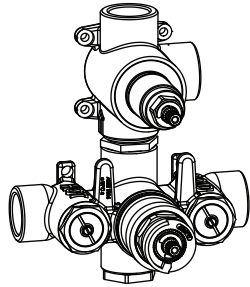
- Turn bottom handle to control temperature.
- Turn top handle to divert water & control volume.
- Includes Thermostatic valve (TVH.4420) w/ service stops
- Thermostatic Valve Flow Rate - 13.0 GPM @ 60 PSI
- Extension Available - TVH.4101E**

FAST SHIP FINISHES :

- Chrome - 160.4420CP / Brushed Nickel - 160.4420BN



Trim
[160.4420T**]



Valve
[TVH.4420]

! A separate volume control is **not** needed to turn water supply off. Volume control functionality is integrated within this valve.

CALGreen Compliant



Belgian Mirror Finish



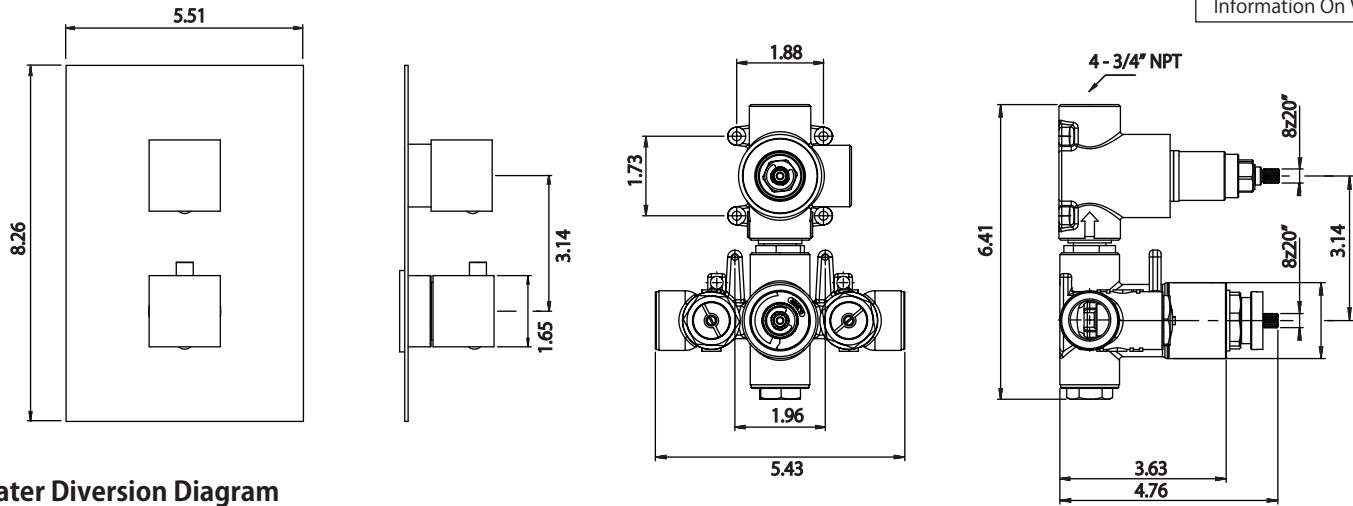
Legislation Compliance



ZeroDrip Technology

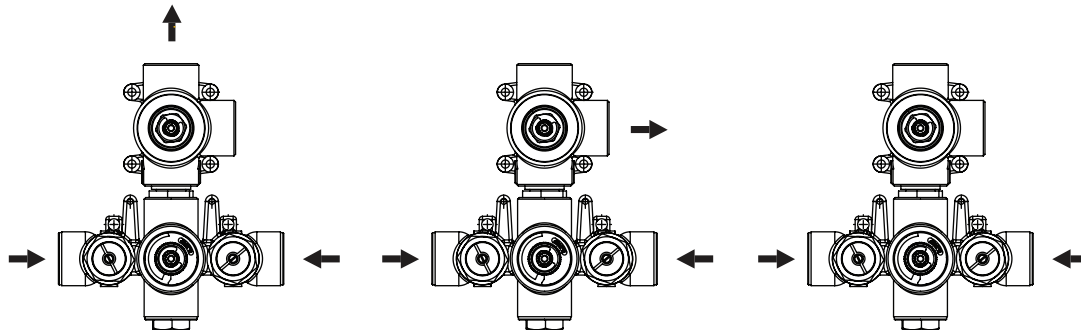


Technical Diagram



See Spec Sheet For TVH.4420 For Detailed Information On Valve.

Water Diversion Diagram

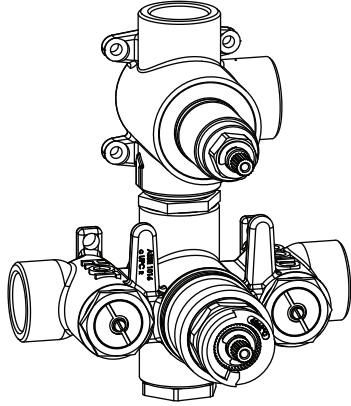


Diverter Position = 1

Diverter Position = 2

Diverter Position = off

TVH.4420 | 3/4" Thermostatic Valve With 2-Way Diverter & Integrated Volume Control Page 1 of 2



SPECIFICATIONS:

- Turn bottom knob to control temperature.
- Turn top knob to control water flow.
- Thermostatic Valve Flow Rate - 13.0 GPM @ 60 PSI

STANDARDS:

- ASME A112.18.1 / CSA B125.1

!
A separate volume control is **not** needed to turn water supply off. Volume control functionality is integrated within this valve.

CALGreen Compliant



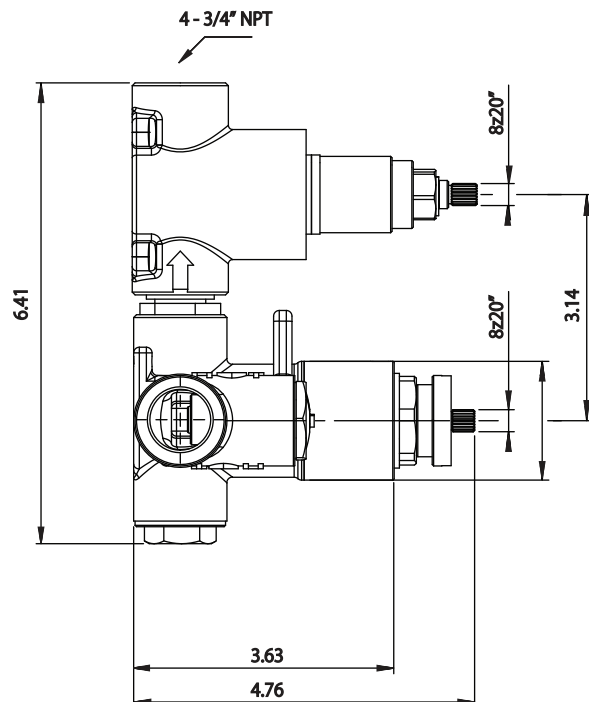
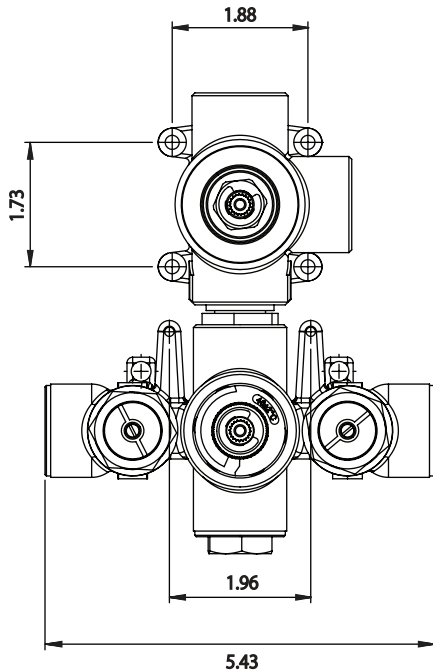
Legislation Compliance



ZeroDrip Technology



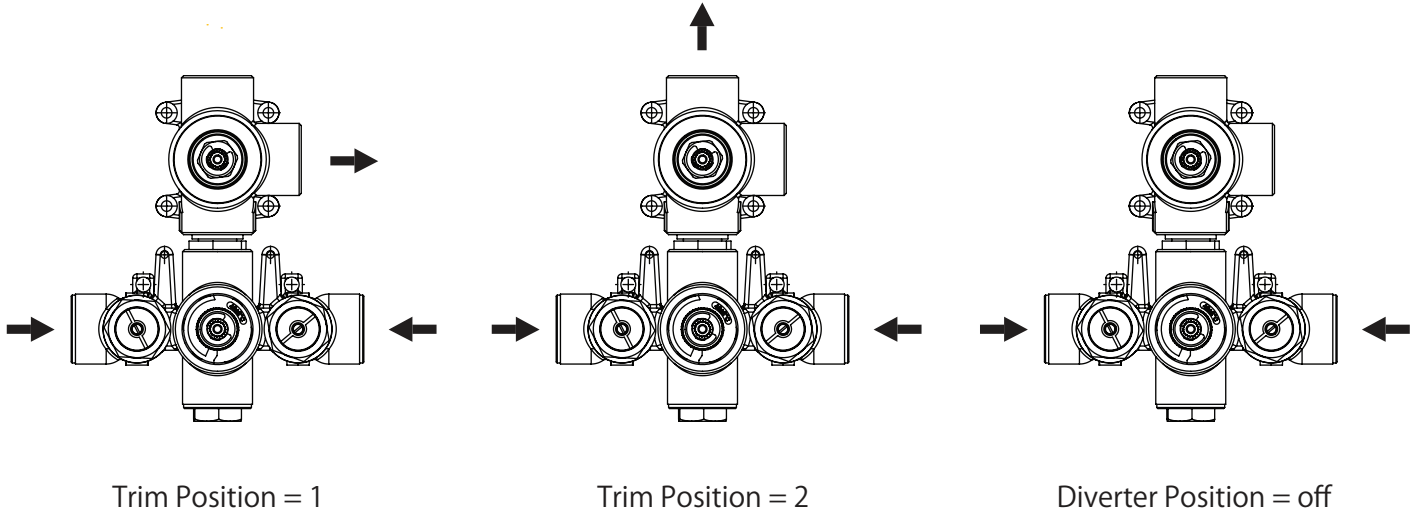
Technical Diagram



TVH.4420 | 3/4" Thermostatic Valve With 2-Way Diverter & Integrated Volume Control
Volume Control Page 2 of 2



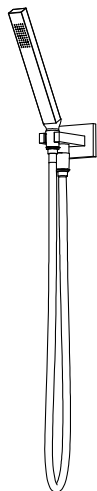
Water Diversion Diagram



HS1003 | Solid Brass Hand Shower Set

SPECIFICATIONS:

- Solid Brass construction
- Single function hand held
- 1/2" female elbow connection
- Includes check valve with back-flow prevention
- 1.8 GPM Flow Rate



Legislation Compliance



ZeroDrip Technology



Technical Diagram

