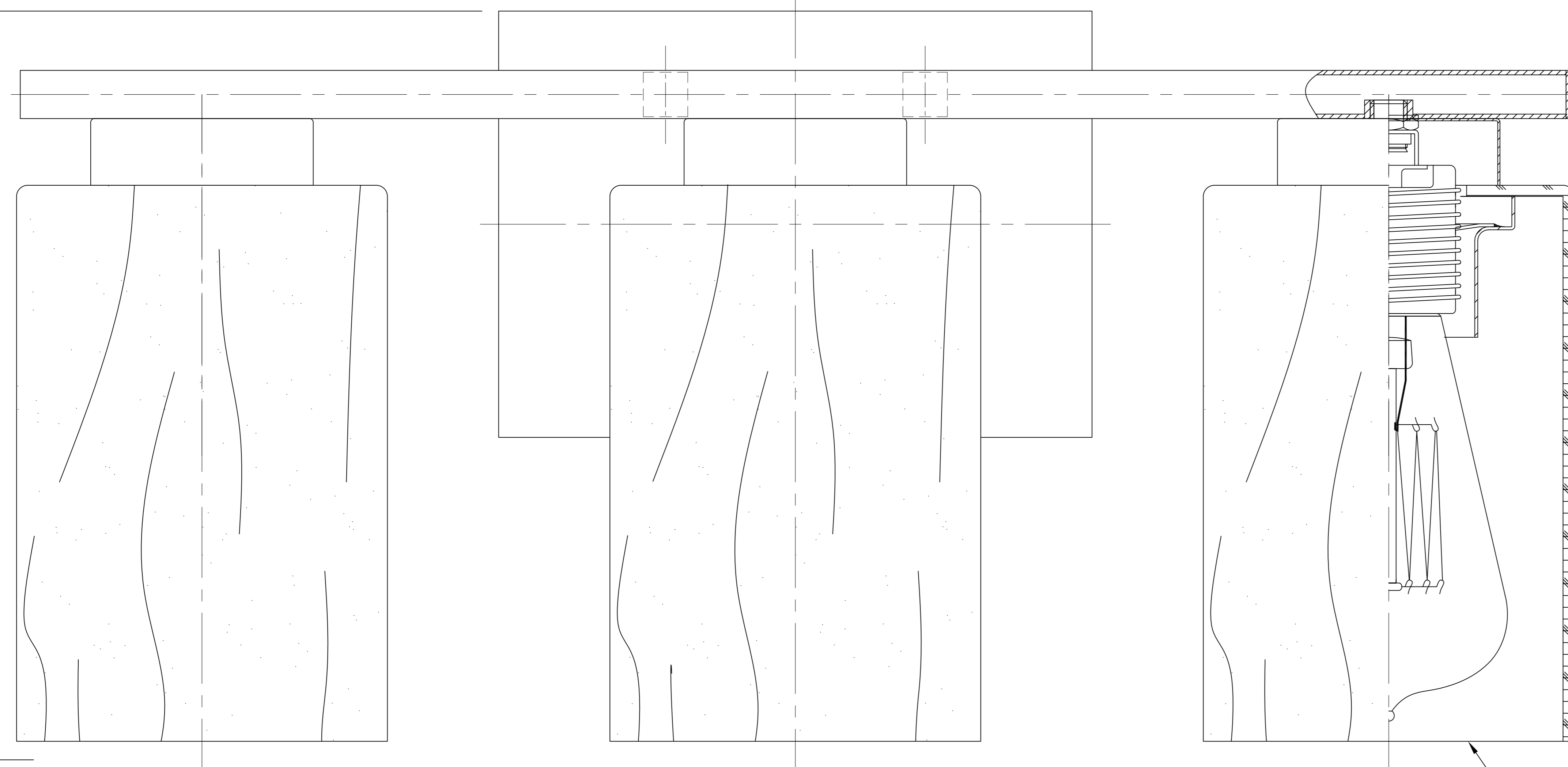
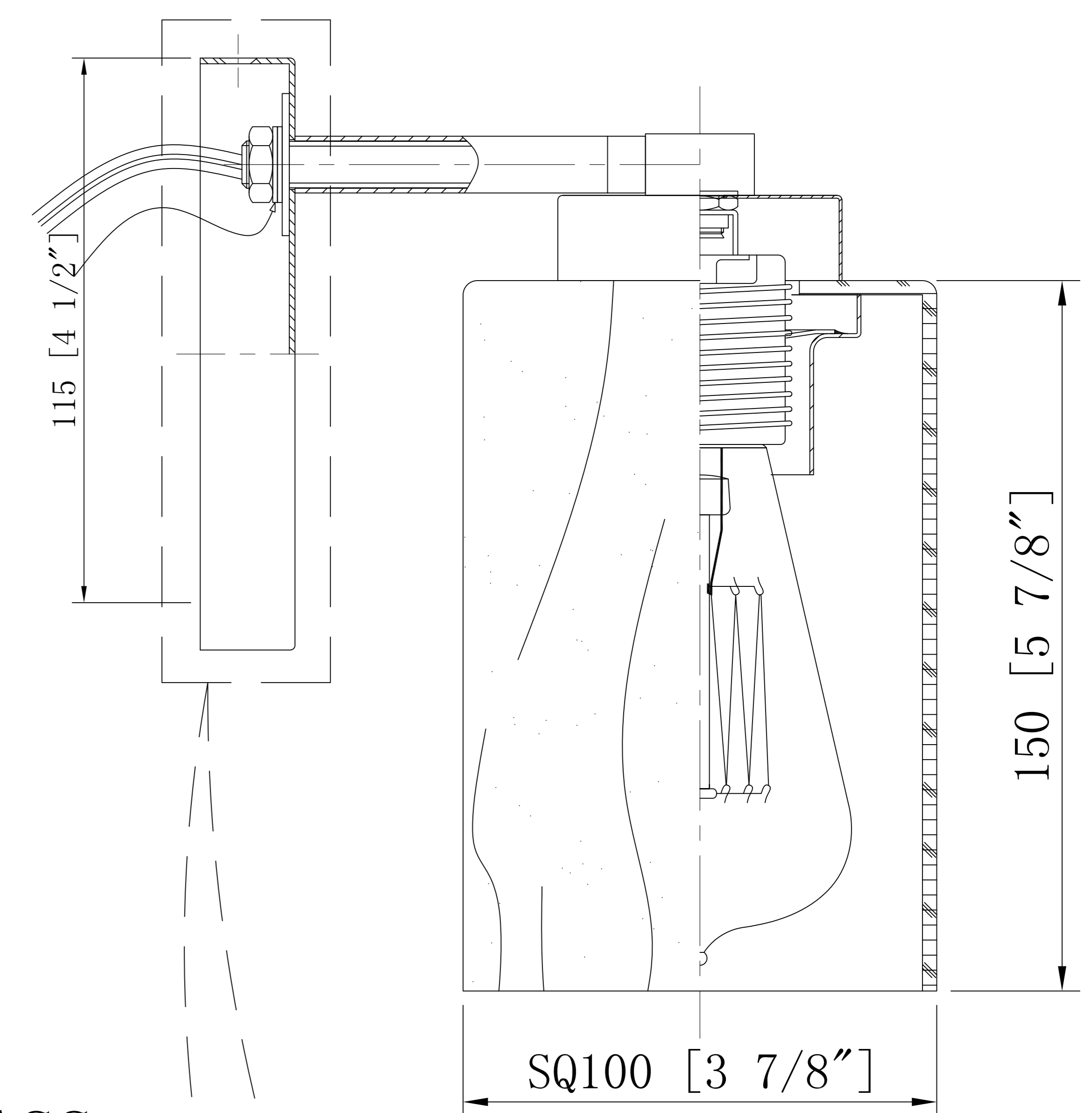


202 [8"]



419 [16 1/2"]

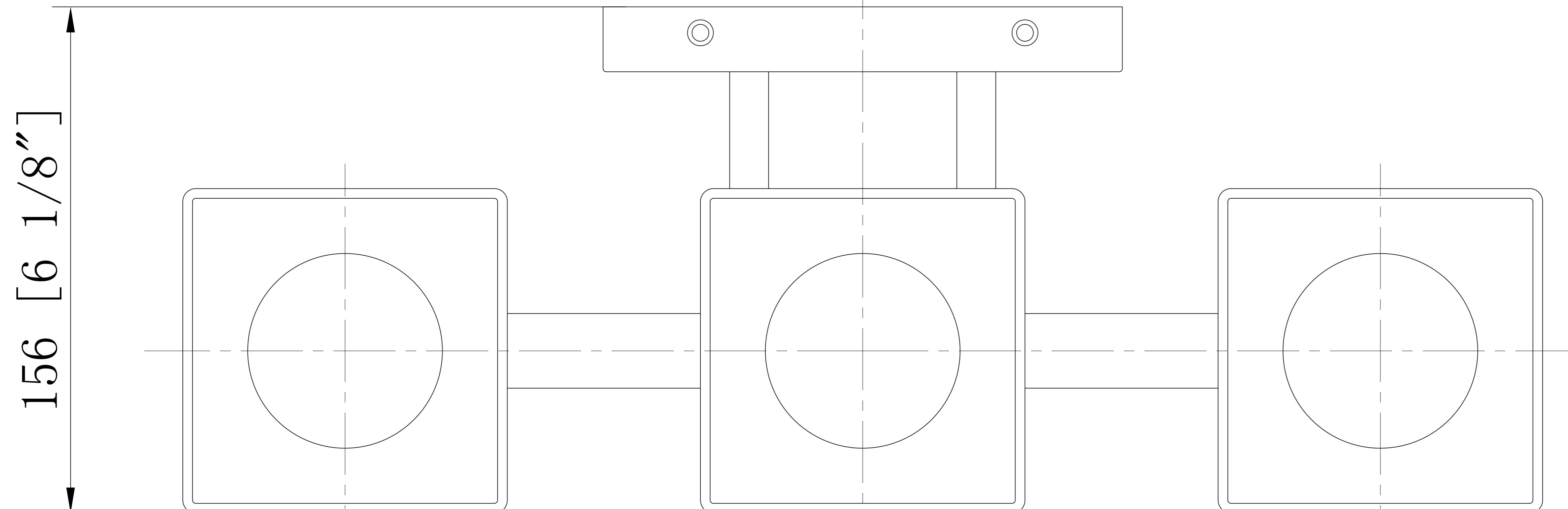
BARK GLASS



115 [4 1/2"]

150 [5 7/8"]

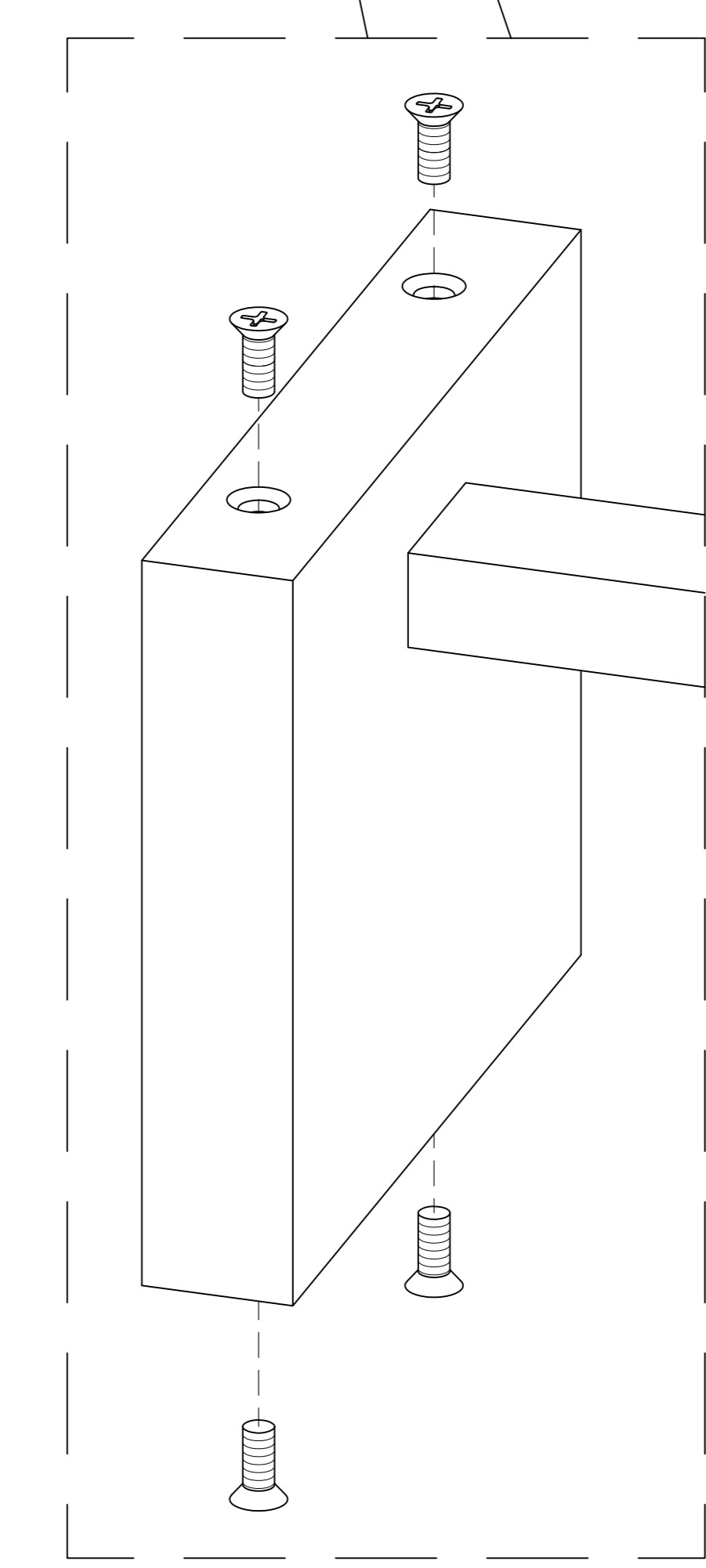
SQ100 [3 7/8"]



156 [6 1/8"]

160 [6 1/4"]

160 [6 1/4"]



ITEM: 419-3W

INNOVATIONS LIGHTING  
DESIGN COPYRIGHT - 12/12/2019  
ALL RIGHTS RESERVED AND MAY  
NOT BE DUPLICATED WITHOUT OUR  
WRITTEN PERMISSION