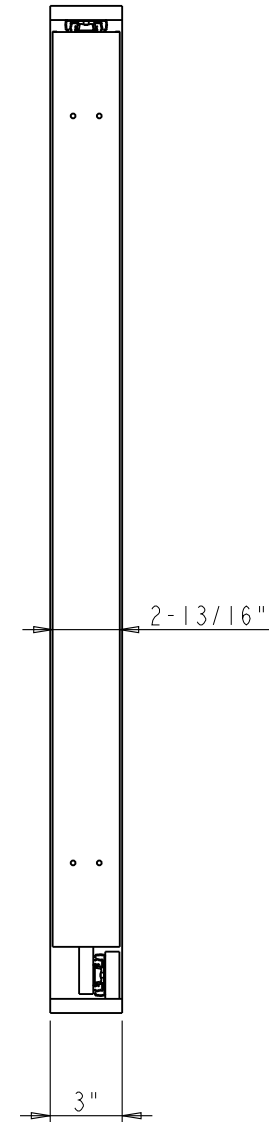
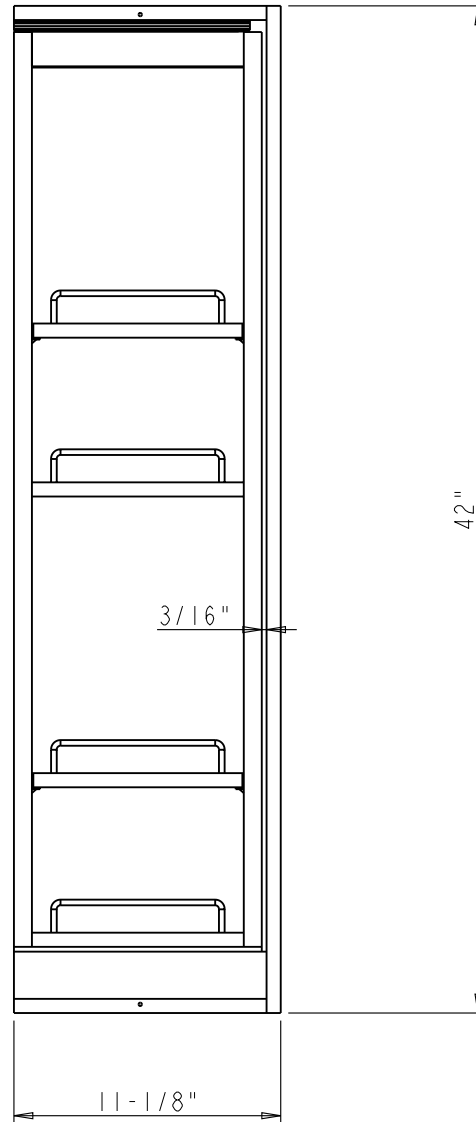
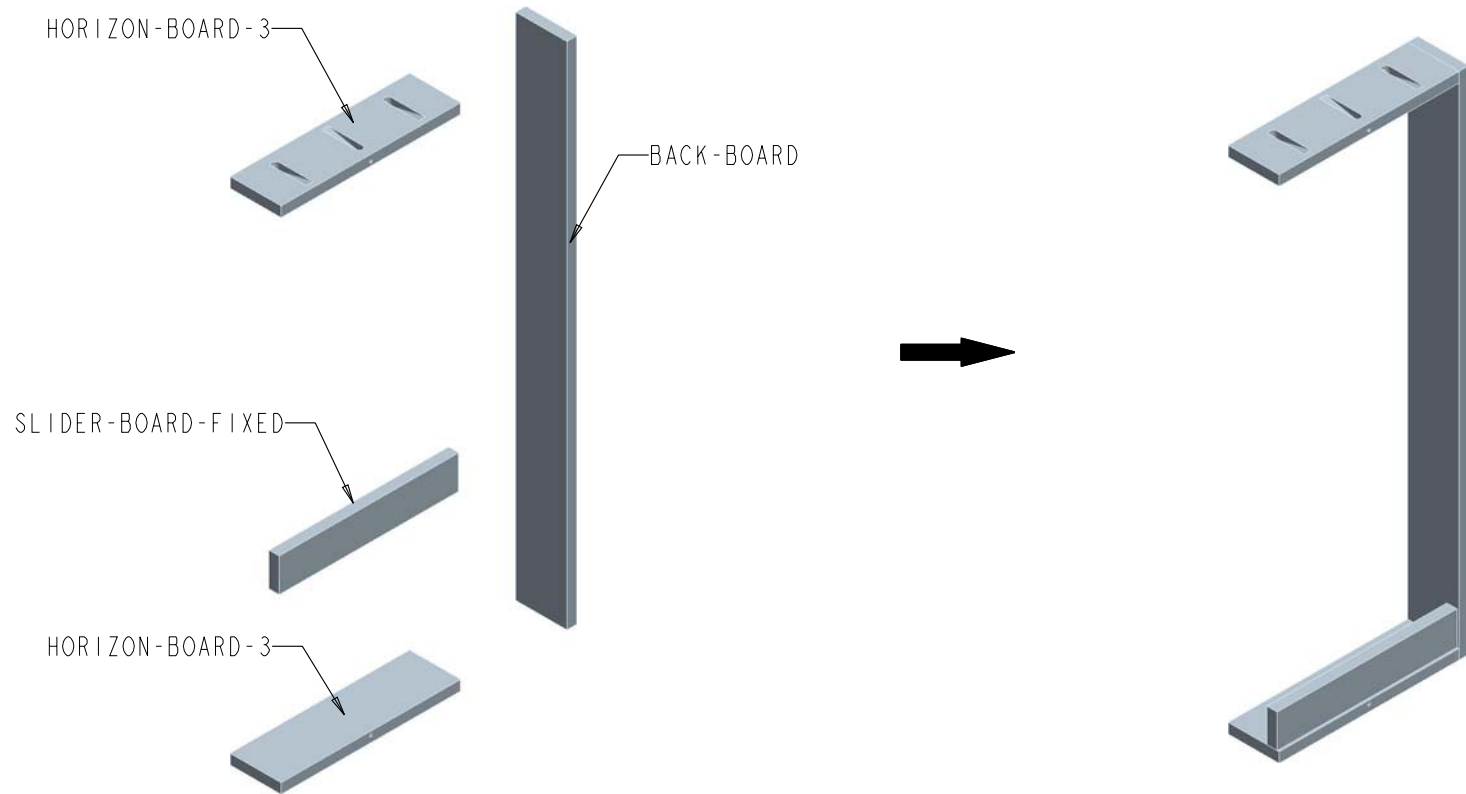


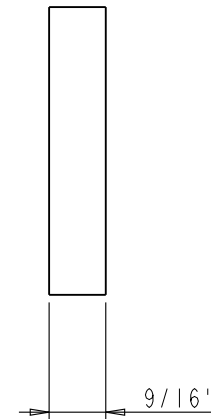
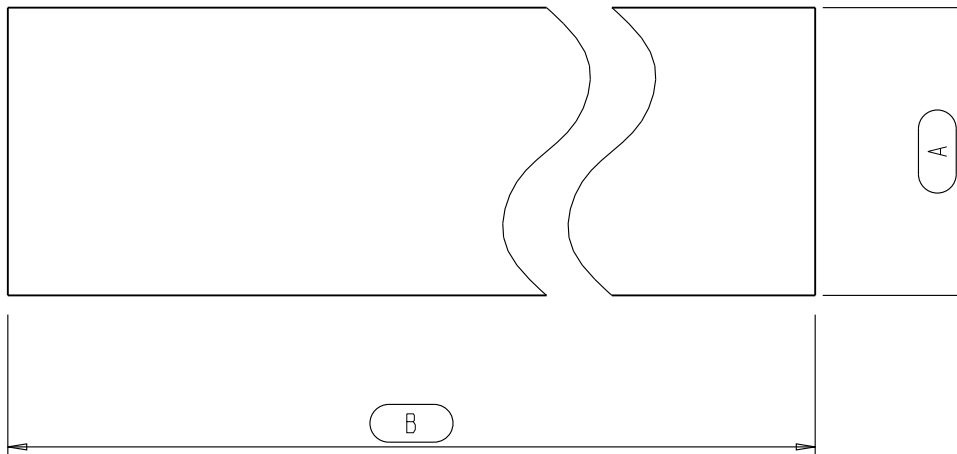
	ITEM:	WF P0342		MATERIAL:
	FINISH:			WEIGHT: 9
PROPRIETARY AND CONFIDENTIAL THE INFORMATION CONTAINED IN THIS DRAWING IS THE SOLE PROPERTY OF HARDWARE RESOURCES INC. ANY REPRODUCTION IN PART OR AS A WHOLE WITHOUT THE WRITTEN PERMISSION OF HARDWARE RESOURCES INC. IS PROHIBITED.	TOLERANCE UNLESS OTHERWISE SPECIFIED:	UNIT:	DRAWN BY:	DATE:
	X : MM ±0.20	SIZE:	<i>alan.liu</i>	DATE:
	X.X : MM ±0.10		CHECKED BY:	DATE:
	X.XX : MM ±0.05		APPROVED BY:	DATE:
ANGULAR: ±0.5°	DO NOT SCALE DRAWING			



	ITEM:	WF P0342		MATERIAL:
	FINISH:			WEIGHT: 9
PROPRIETARY AND CONFIDENTIAL THE INFORMATION CONTAINED IN THIS DRAWING IS THE SOLE PROPERTY OF HARDWARE RESOURCES INC. ANY REPRODUCTION IN PART OR AS A WHOLE WITHOUT THE WRITTEN PERMISSION OF HARDWARE RESOURCES INC. IS PROHIBITED.	TOLERANCE UNLESS OTHERWISE SPECIFIED:	UNIT:	DRAWN BY:	DATE:
	X : MM ±0.20	SIZE:	<i>alan.liu</i>	DATE:
	X.X : MM ±0.10	CHECKED BY:		DATE:
	X.XX : MM ±0.05	APPROVED BY:		DATE:
	ANGULAR: ±0.5°			
	DO NOT SCALE DRAWING			



	ITEM#: MOUNT - FRAME - 3XX		MATERIAL:		
	FINISH:		WEIGHT: 9		
PROPRIETARY AND CONFIDENTIAL THE INFORMATION CONTAINED IN THIS DRAWING IS THE SOLE PROPERTY OF HARDWARE RESOURCES INC. ANY REPRODUCTION IN PART OR AS A WHOLE WITHOUT THE WRITTEN PERMISSION OF HARDWARE RESOURCES INC. IS PROHIBITED.	TOLERANCE UNLESS OTHERWISE SPECIFIED: X : MM ±0.20 X.X : MM ±0.10 X.XX : MM ±0.05 ANGULAR: ±0.5° DO NOT SCALE DRAWING		UNIT: SIZE:	DRAWN BY: <i>alan.liu</i>	DATE:
			CHECKED BY:	DATE:	
			APPROVED BY:	DATE:	
				DATE:	



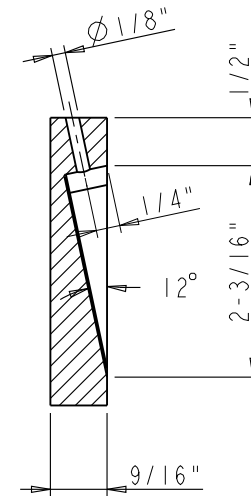
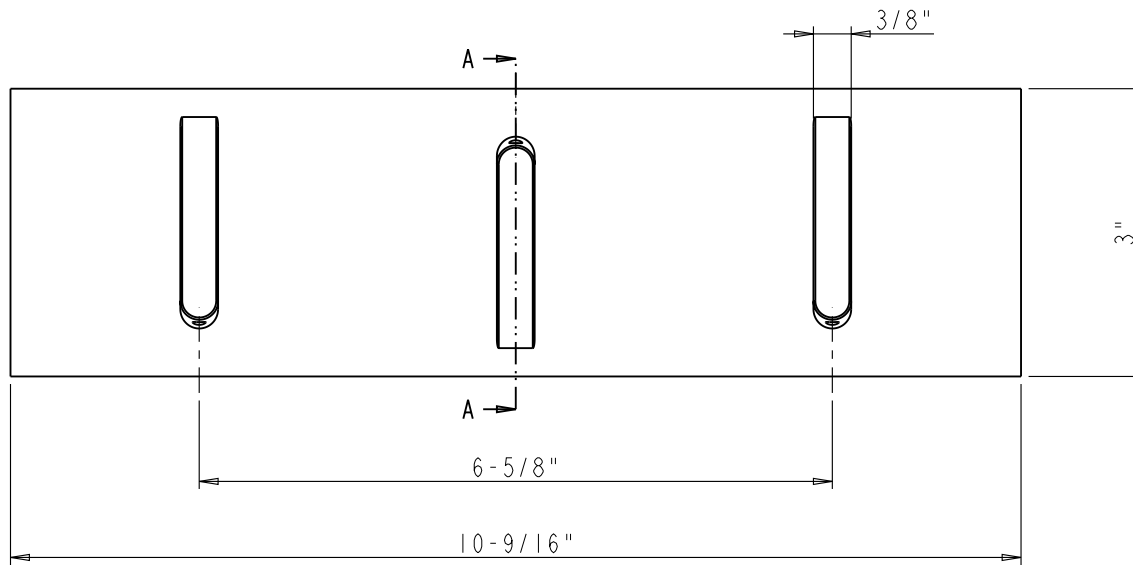
BACK-BOARD SPEC SHEET:

Part Name	A	B
BACK-BOARD-330	3"	30"
BACK-BOARD-336	3"	36"
BACK-BOARD-342	3"	42"
BACK-BOARD-630	6"	30"
BACK-BOARD-636	6"	36"
BACK-BOARD-642	6"	42"

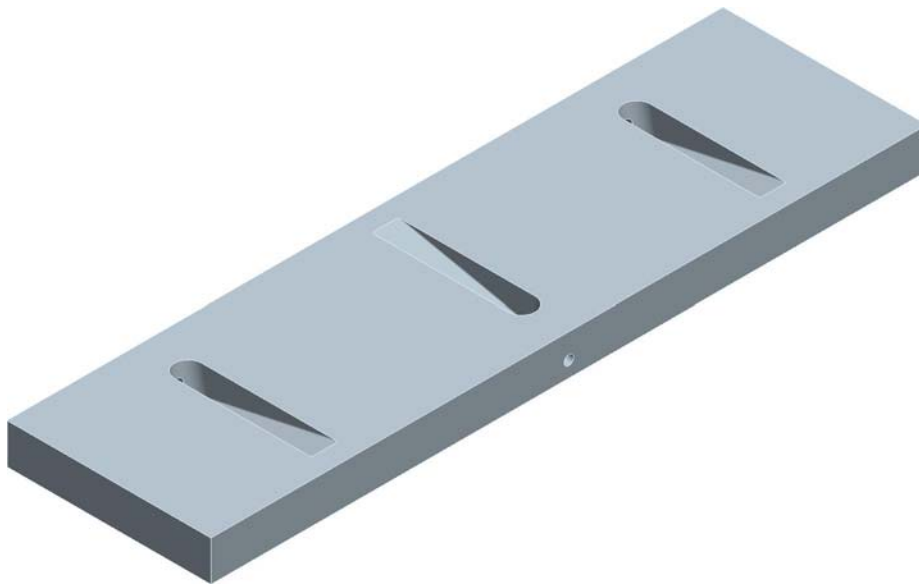
NOTE:

The dimension A & B of current BACK-BOARD is showing with red frame

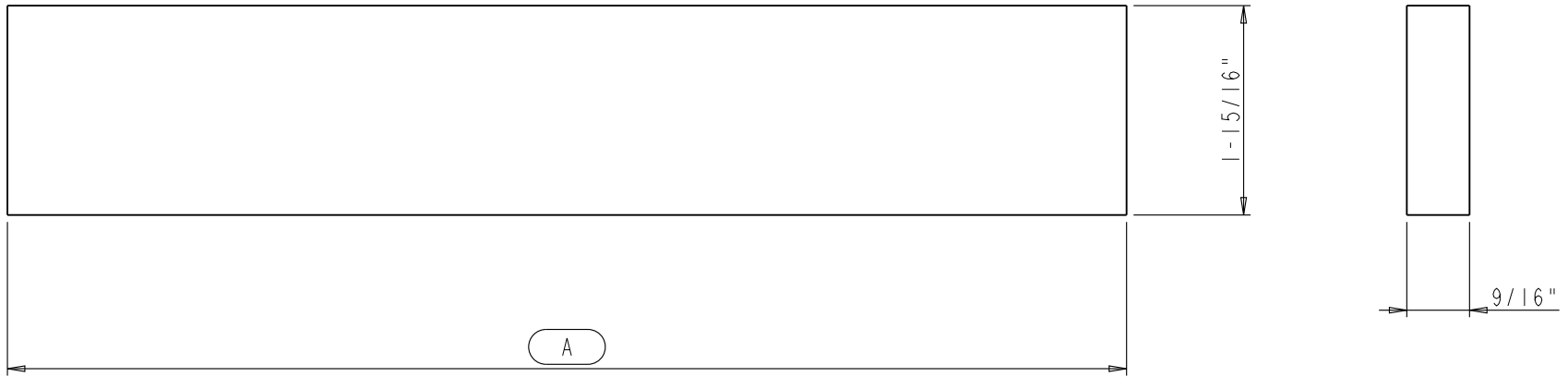
	ITEM: BACK-BOARD		MATERIAL: PLY Wood		
	FINISH:		WEIGHT: 9		
PROPRIETARY AND CONFIDENTIAL THE INFORMATION CONTAINED IN THIS DRAWING IS THE SOLE PROPERTY OF HARDWARE RESOURCES INC. ANY REPRODUCTION IN PART OR AS A WHOLE WITHOUT THE WRITTEN PERMISSION OF HARDWARE RESOURCES INC. IS PROHIBITED	TOLERANCE UNLESS OTHERWISE SPECIFIED: X : MM ±0.20 XX : MM ±0.10 XXX : MM ±0.05 ANGULAR: ±0.5° DO NOT SCALE DRAWING		UNIT:	DRAWN BY: <i>alan.liu</i>	DATE:
	SIZE:	CHECKED BY:	DATE:		
	APPROVED BY:		DATE:		
	PROJECTION:				



SECTION A-A



	ITEM: HORIZON-BOARD-3		MATERIAL: PLY Wood	
	FINISH:		WEIGHT: 9	
PROPRIETARY AND CONFIDENTIAL THE INFORMATION CONTAINED IN THIS DRAWING IS THE SOLE PROPERTY OF HARDWARE RESOURCES INC. ANY REPRODUCTION IN PART OR AS A WHOLE WITHOUT THE WRITTEN PERMISSION OF HARDWARE RESOURCES INC. IS PROHIBITED.	TOLERANCE UNLESS OTHERWISE SPECIFIED:		PROJECTION:	
	X: MM ±0.20	UNIT:	DRAWN BY: <i>alan.liu</i>	
	X.X: MM ±0.10	SIZE:	CHECKED BY:	
	X.XX: MM ±0.05		APPROVED BY:	
ANGULAR: ±0.5°			DATE:	
DO NOT SCALE DRAWING			DATE:	



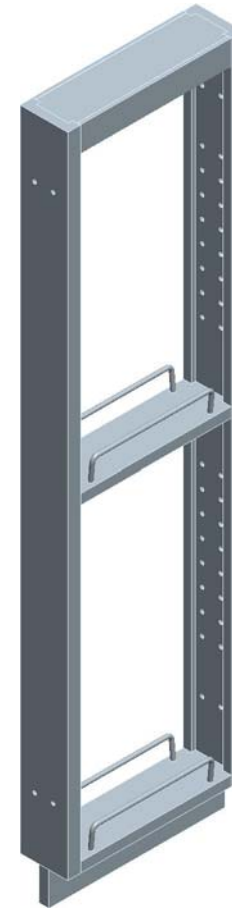
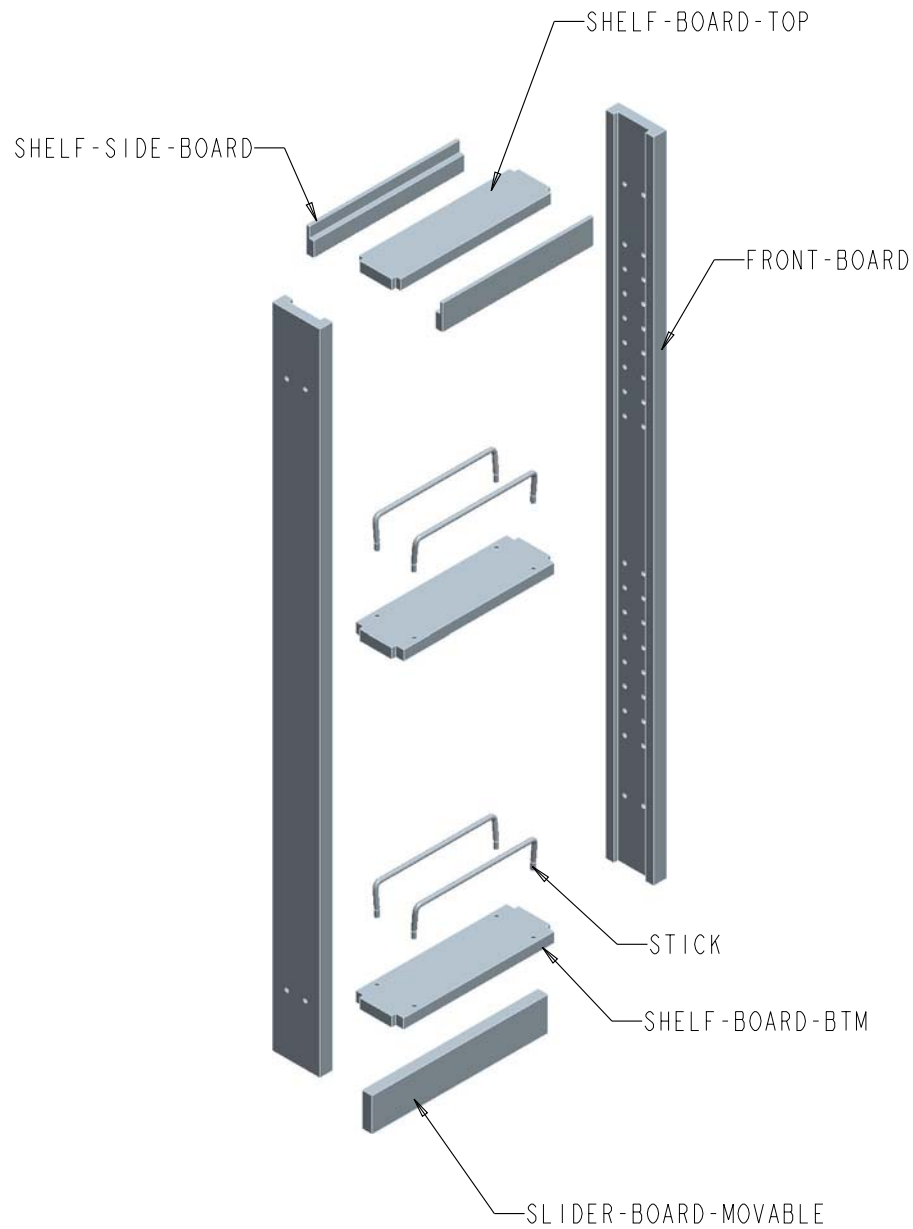
SLIDER-BOARD SPEC SHEET:

Part Name	A
SLIDER-BOARD-FIXED	10-9/16"
SLIDER-BOARD-MOVABLE	10-5/16"

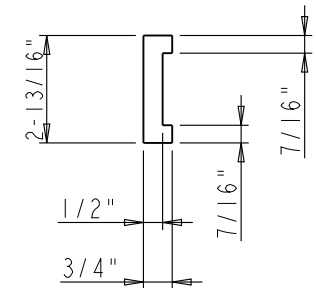
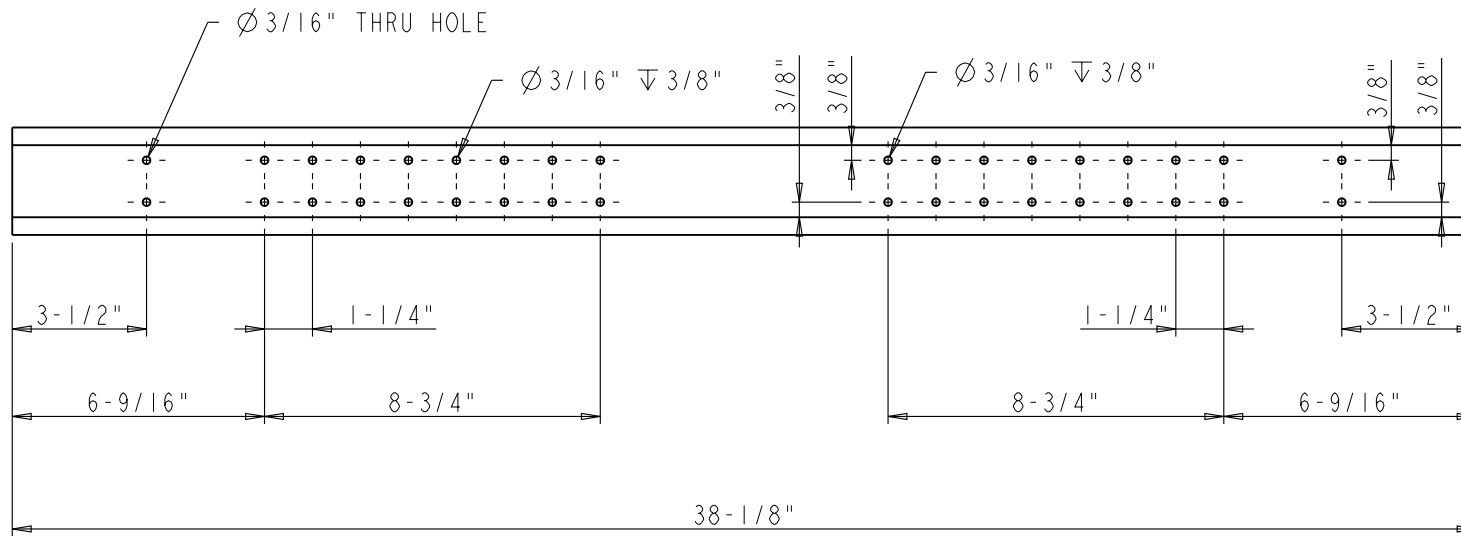
NOTE:

The dimension A of current SLIDER-BOARD is showing with red frame

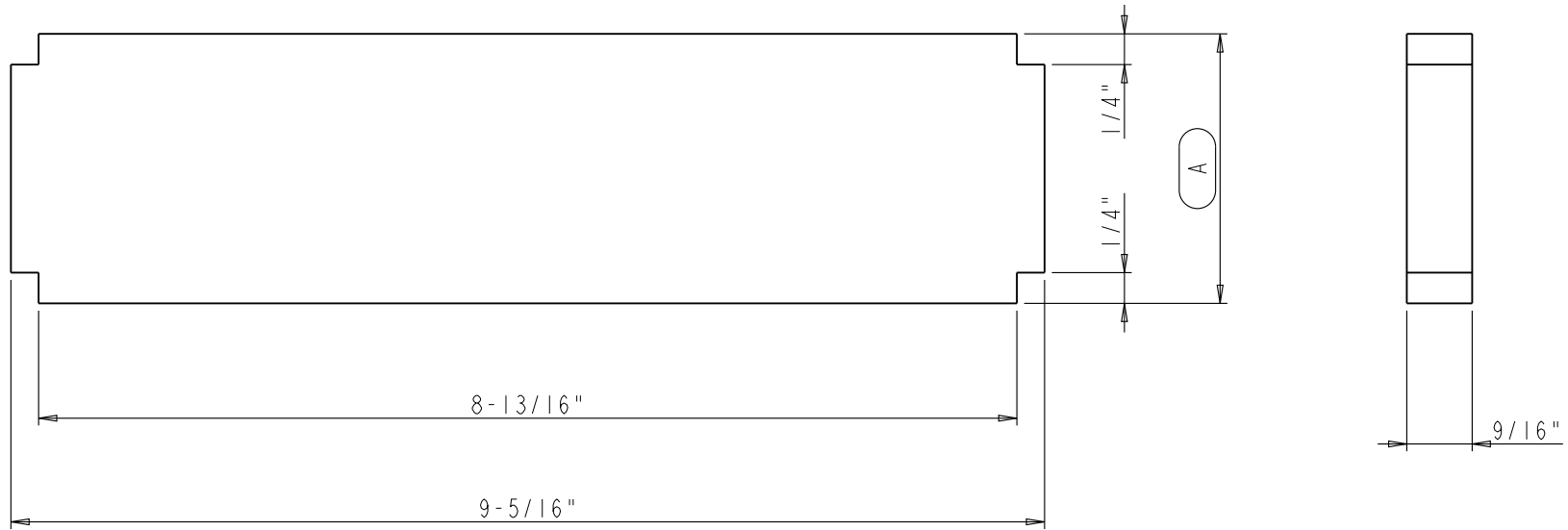
	ITEM:	SLIDER-BOARD		MATERIAL:	PLY Wood
	FINISH:			WEIGHT:	g
PROPRIETARY AND CONFIDENTIAL THE INFORMATION CONTAINED IN THIS DRAWING IS THE SOLE PROPERTY OF HARDWARE RESOURCES INC. ANY REPRODUCTION IN PART OR AS A WHOLE WITHOUT THE WRITTEN PERMISSION OF HARDWARE RESOURCES INC. IS PROHIBITED	TOLERANCE UNLESS OTHERWISE SPECIFIED:	UNIT:	DRAWN BY:	DATE:	
	X : MM ±0.20	SIZE:	<i>alan.liu</i>	DATE:	
	X.X : MM ±0.10		CHECKED BY:	DATE:	
	X.XX : MM ±0.05		APPROVED BY:	DATE:	
ANGULAR: ±0.5°					
DO NOT SCALE DRAWING					



	ITEM: PULL-FRAME - # 42		MATERIAL:		
	FINISH:		WEIGHT: 9		
PROPRIETARY AND CONFIDENTIAL THE INFORMATION CONTAINED IN THIS DRAWING IS THE SOLE PROPERTY OF HARDWARE RESOURCES INC. ANY REPRODUCTION IN PART OR AS A WHOLE WITHOUT THE WRITTEN PERMISSION OF HARDWARE RESOURCES INC. IS PROHIBITED.	TOLERANCE UNLESS OTHERWISE SPECIFIED: X : MM ±0.20 X.X : MM ±0.10 X.XX : MM ±0.05 ANGULAR: ±0.5° DO NOT SCALE DRAWING		UNIT:	DRAWN BY: <i>alan.liu</i>	DATE:
	SIZE:	CHECKED BY:	DATE:		
	APPROVED BY:		DATE:		
	PROJECTION:				



	ITEM:	FRONT-BOARD-342		MATERIAL:
	FINISH:			WEIGHT: 9
PROPRIETARY AND CONFIDENTIAL THE INFORMATION CONTAINED IN THIS DRAWING IS THE SOLE PROPERTY OF HARDWARE RESOURCES INC. ANY REPRODUCTION IN PART OR AS A WHOLE WITHOUT THE WRITTEN PERMISSION OF HARDWARE RESOURCES INC. IS PROHIBITED.	TOLERANCE UNLESS OTHERWISE SPECIFIED: X: MM ±0.20 X.X: MM ±0.10 X.XX: MM ±0.05 ANGULAR: ±0.5° DO NOT SCALE DRAWING	UNIT: SIZE:	DRAWN BY: <i>alan.liu</i>	DATE:
			CHECKED BY:	DATE:
			APPROVED BY:	DATE:



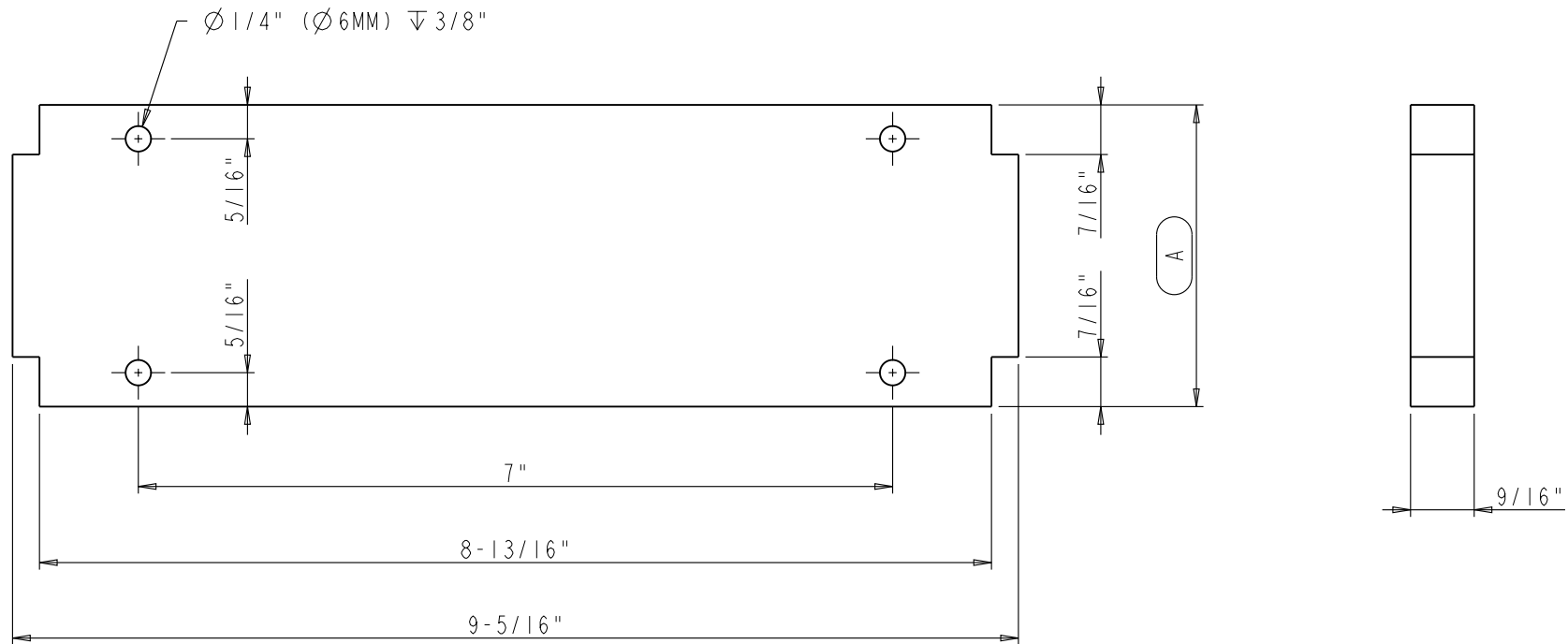
NOTE:

The dimension A of current SHELF-BOARD-TOP is showing with red frame

SHELF-BOARD-TOP SPEC SHEET:

Part Name	A
SHELF-BOARD-3-TOP	2-7/16"
SHELF-BOARD-6-TOP	5-7/16"

	ITEM#: SHELF-BOARD-TOP		MATERIAL: PLY Wood		
	FINISH:		WEIGHT: 9		
PROPRIETARY AND CONFIDENTIAL THE INFORMATION CONTAINED IN THIS DRAWING IS THE SOLE PROPERTY OF HARDWARE RESOURCES INC. ANY REPRODUCTION IN PART OR AS A WHOLE WITHOUT THE WRITTEN PERMISSION OF HARDWARE RESOURCES INC. IS PROHIBITED	TOLERANCE UNLESS OTHERWISE SPECIFIED: X : MM ±0.20 X.X : MM ±0.10 X.XX : MM ±0.05 ANGULAR: ±0.5° DO NOT SCALE DRAWING		UNIT:	DRAWN BY: <i>alan.liu</i>	DATE:
	SIZE:	CHECKED BY:	DATE:		
	APPROVED BY:		DATE:		
	PROJECTION:				



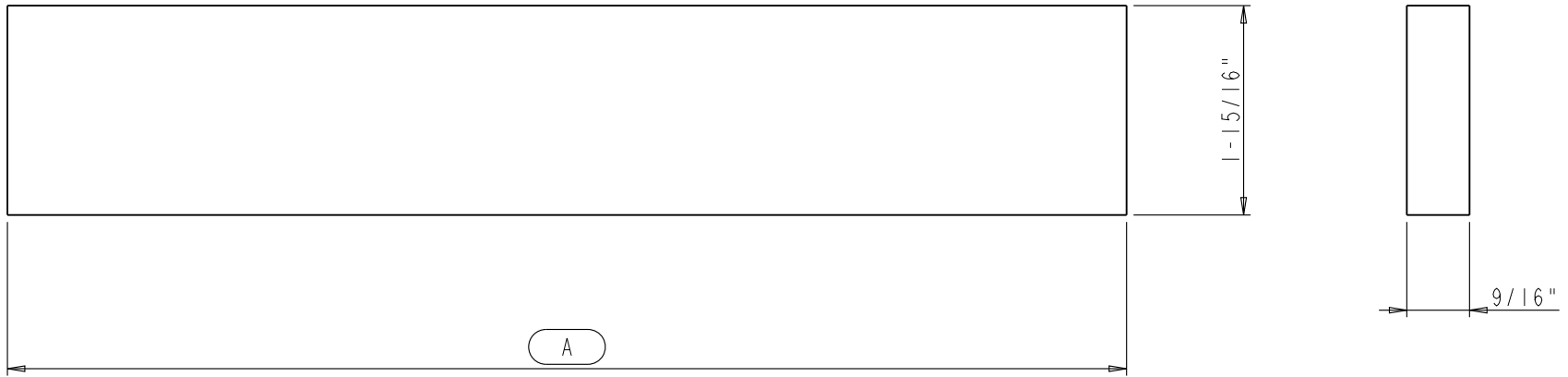
NOTE:

The dimension A of current SHELF-BOARD-BTM is showing with red frame

SHELF-BOARD-BTM SPEC SHEET:

Part Name	A
SHELF-BOARD-3-BTM	2-13/16"
SHELF-BOARD-6-BTM	5-13/16"

	ITEM:	SHELF-BOARD-BTM		MATERIAL:	PLY Wood	
	FINISH:			WEIGHT:	g	
PROPRIETARY AND CONFIDENTIAL THE INFORMATION CONTAINED IN THIS DRAWING IS THE SOLE PROPERTY OF HARDWARE RESOURCES INC. ANY REPRODUCTION IN PART OR AS A WHOLE WITHOUT THE WRITTEN PERMISSION OF HARDWARE RESOURCES INC. IS PROHIBITED.	TOLERANCE UNLESS OTHERWISE SPECIFIED:	UNIT:	DRAWN BY:	DATE:		
	X : MM ±0.20	SIZE:		DATE:		
	X.X : MM ±0.10			DATE:		
	X.XX : MM ±0.05			DATE:		
ANGULAR: ±0.5°	APPROVED BY:	DATE:		DATE:		
DO NOT SCALE DRAWING						


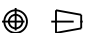


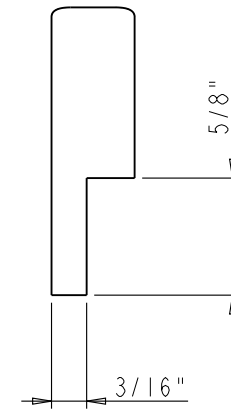
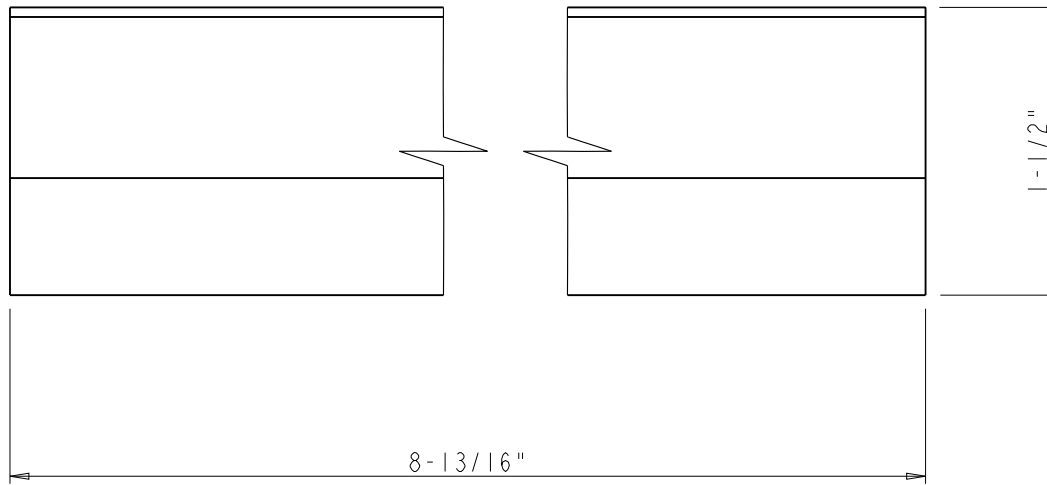
SLIDER-BOARD SPEC SHEET:


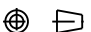
Part Name	A
SLIDER-BOARD-FIXED	10-9/16"
SLIDER-BOARD-MOVABLE	10-5/16"

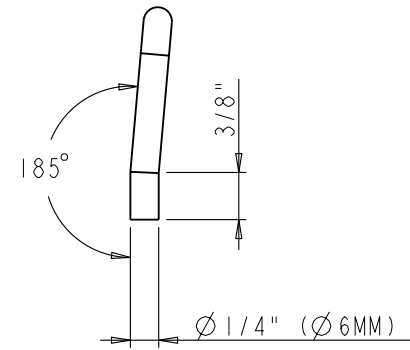
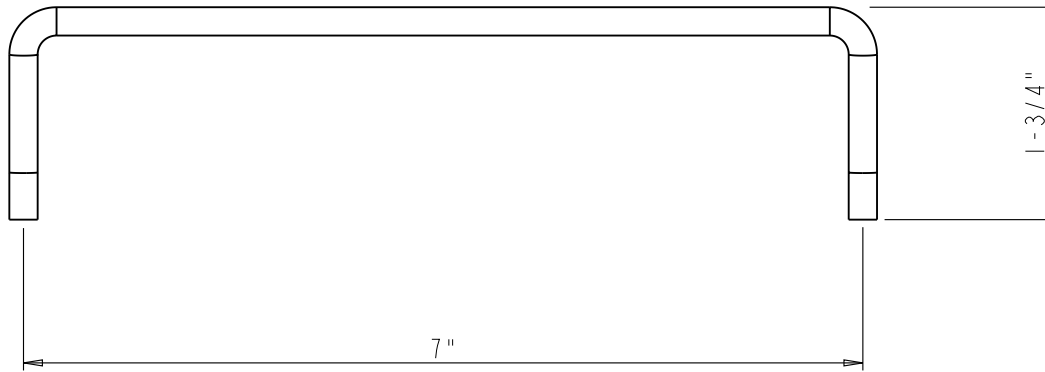
NOTE:

The dimension A of current SLIDER-BOARD is showing with red frame

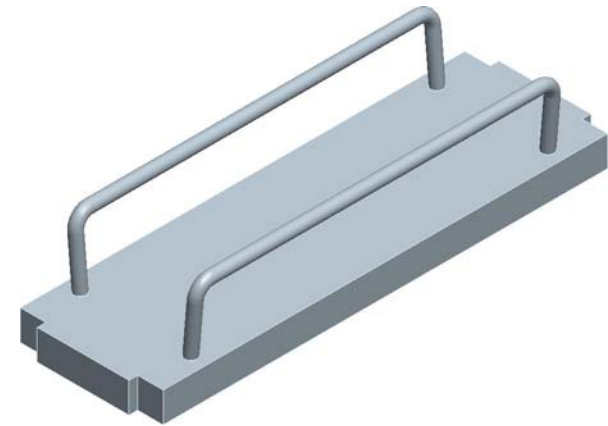
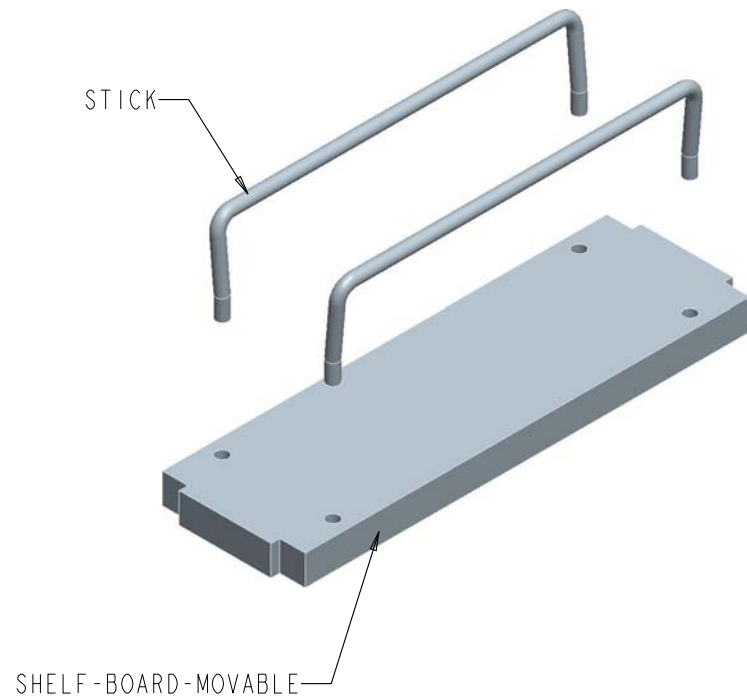
	ITEM: SLIDER-BOARD		MATERIAL: PLY Wood		
	FINISH:		WEIGHT: g		
PROPRIETARY AND CONFIDENTIAL THE INFORMATION CONTAINED IN THIS DRAWING IS THE SOLE PROPERTY OF HARDWARE RESOURCES INC. ANY REPRODUCTION IN PART OR AS A WHOLE WITHOUT THE WRITTEN PERMISSION OF HARDWARE RESOURCES INC. IS PROHIBITED.	TOLERANCE UNLESS OTHERWISE SPECIFIED: X : MM ±0.20 X.X : MM ±0.10 X.XX : MM ±0.05 ANGULAR: ±0.5° DO NOT SCALE DRAWING		UNIT:	DRAWN BY: <i>alan.liu</i>	DATE:
	SIZE:	CHECKED BY:	DATE:		
	APPROVED BY:		DATE:		
	PROJECTION: 				


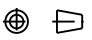


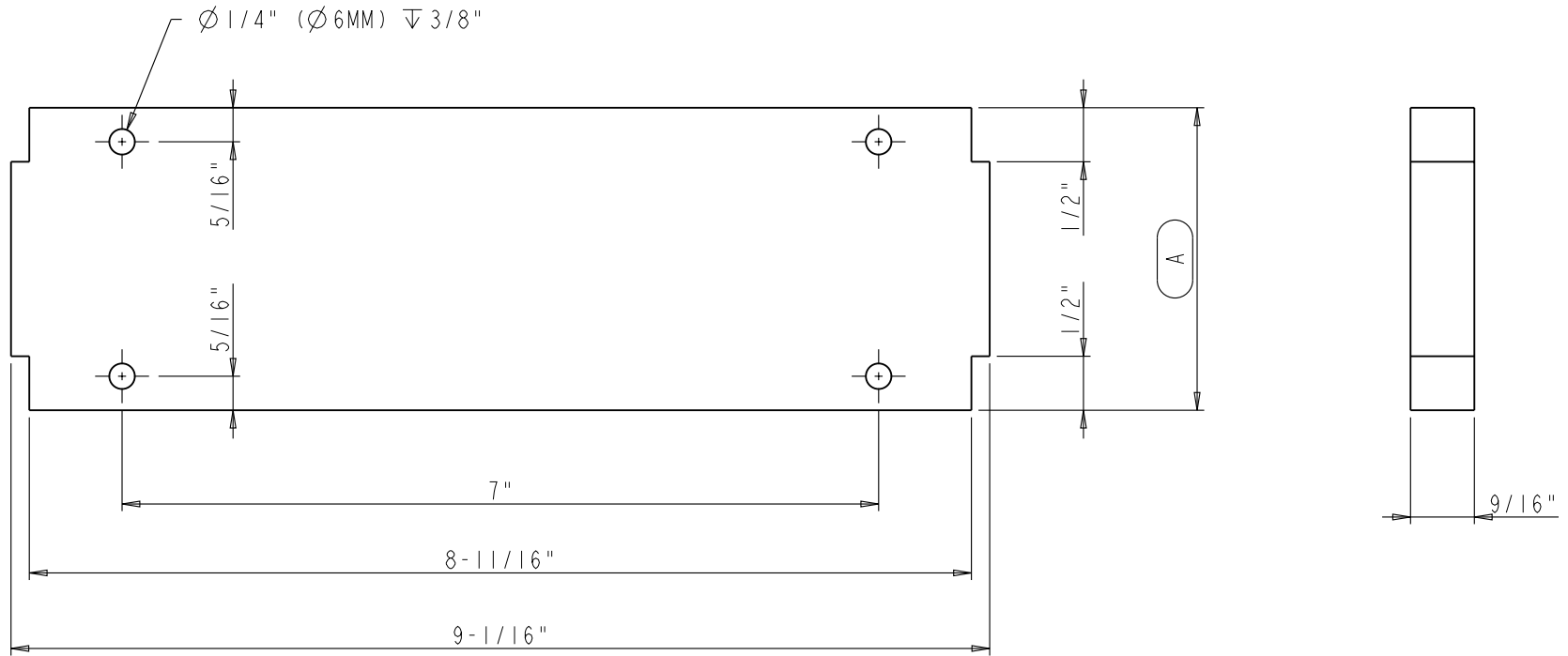
	ITEM#: SHELF-SIDE-BOARD		MATERIAL: Maple		
	FINISH:		WEIGHT: g		
PROPRIETARY AND CONFIDENTIAL THE INFORMATION CONTAINED IN THIS DRAWING IS THE SOLE PROPERTY OF HARDWARE RESOURCES INC. ANY REPRODUCTION IN PART OR AS A WHOLE WITHOUT THE WRITTEN PERMISSION OF HARDWARE RESOURCES INC. IS PROHIBITED.	TOLERANCE UNLESS OTHERWISE SPECIFIED: X : MM ±0.20 X.X : MM ±0.10 X.XX : MM ±0.05 ANGULAR: ±0.5° DO NOT SCALE DRAWING		UNIT:	DRAWN BY: <i>alan.liu</i>	DATE:
	SIZE:	CHECKED BY:	DATE:		
	APPROVED BY:		DATE:		
	PROJECTION: 				



	ITEM: STICK		MATERIAL:		
	FINISH:		WEIGHT: 9		
PROPRIETARY AND CONFIDENTIAL THE INFORMATION CONTAINED IN THIS DRAWING IS THE SOLE PROPERTY OF HARDWARE RESOURCES INC. ANY REPRODUCTION IN PART OR AS A WHOLE WITHOUT THE WRITTEN PERMISSION OF HARDWARE RESOURCES INC. IS PROHIBITED.	TOLERANCE UNLESS OTHERWISE SPECIFIED: X : MM ± 0.20 X.X : MM ± 0.10 X.XX : MM ± 0.05 ANGULAR: $\pm 0.5^\circ$ DO NOT SCALE DRAWING		UNIT: SIZE:	DRAWN BY: <i>alan.liu</i>	DATE:
				CHECKED BY:	DATE:
				APPROVED BY:	DATE:



	ITEM: REMOVABLE - SHELF		MATERIAL:		
	FINISH:		WEIGHT: 9		
PROPRIETARY AND CONFIDENTIAL THE INFORMATION CONTAINED IN THIS DRAWING IS THE SOLE PROPERTY OF HARDWARE RESOURCES INC. ANY REPRODUCTION IN PART OR AS A WHOLE WITHOUT THE WRITTEN PERMISSION OF HARDWARE RESOURCES INC. IS PROHIBITED.	TOLERANCE UNLESS OTHERWISE SPECIFIED: X : MM ±0.20 X.X : MM ±0.10 X.XX : MM ±0.05 ANGULAR: ±0.5° DO NOT SCALE DRAWING		UNIT:	DRAWN BY: <i>alan.liu</i>	DATE:
	SIZE:	CHECKED BY:	DATE:		
	APPROVED BY:		DATE:		
	PROJECTION: 				



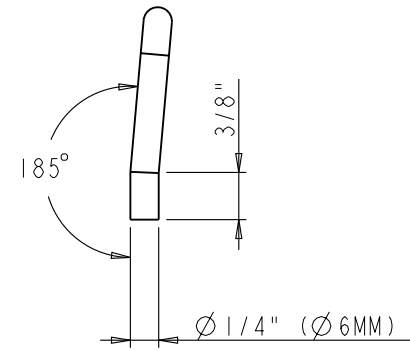
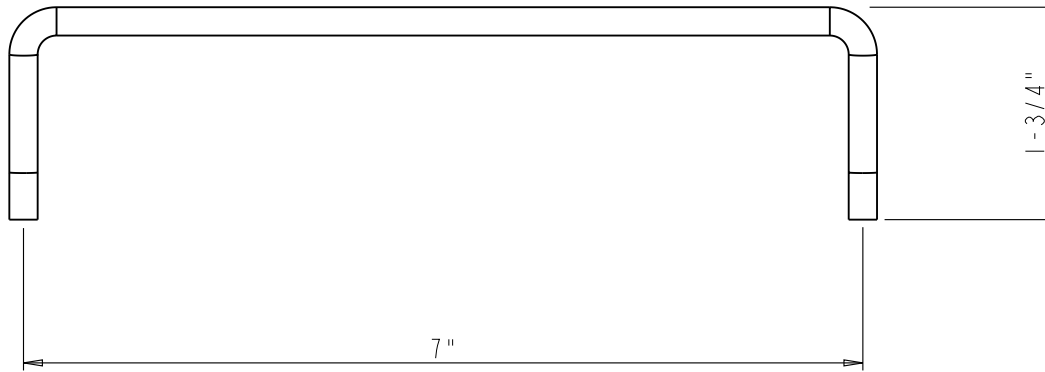
NOTE:

The dimension A of current SHELF-BOARD-MOVABLE is showing with red frame

SHELF-BOARD-MOVABLE SPEC SHEET:

Part Name	A
SHELF-BOARD-3-MOVABLE	2-13/16"
SHELF-BOARD-6-MOVABLE	5-13/16"

	ITEM:	SHELF-BOARD-MOVABLE		MATERIAL:	PLY Wood
	FINISH:			WEIGHT:	g
PROPRIETARY AND CONFIDENTIAL THE INFORMATION CONTAINED IN THIS DRAWING IS THE SOLE PROPERTY OF HARDWARE RESOURCES INC. ANY REPRODUCTION IN PART OR AS A WHOLE WITHOUT THE WRITTEN PERMISSION OF HARDWARE RESOURCES INC. IS PROHIBITED.	TOLERANCE UNLESS OTHERWISE SPECIFIED: X : MM ±0.20 X.X : MM ±0.10 X.XX : MM ±0.05 ANGULAR: ±0.5° DO NOT SCALE DRAWING	UNIT: SIZE:	DRAWN BY: <i>alan.liu</i>	DATE:	PROJECTION:
			CHECKED BY:	DATE:	
			APPROVED BY:	DATE:	



	ITEM: STICK		MATERIAL:		
	FINISH:		WEIGHT: 9		
PROPRIETARY AND CONFIDENTIAL THE INFORMATION CONTAINED IN THIS DRAWING IS THE SOLE PROPERTY OF HARDWARE RESOURCES INC. ANY REPRODUCTION IN PART OR AS A WHOLE WITHOUT THE WRITTEN PERMISSION OF HARDWARE RESOURCES INC. IS PROHIBITED.	TOLERANCE UNLESS OTHERWISE SPECIFIED: X : MM ± 0.20 X.X : MM ± 0.10 X.XX : MM ± 0.05 ANGULAR: $\pm 0.5^\circ$ DO NOT SCALE DRAWING		UNIT: SIZE:	DRAWN BY: <i>alan.liu</i>	DATE:
				CHECKED BY:	DATE:
				APPROVED BY:	DATE: