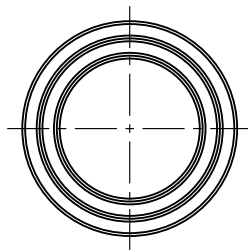
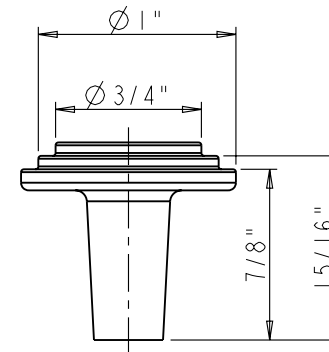
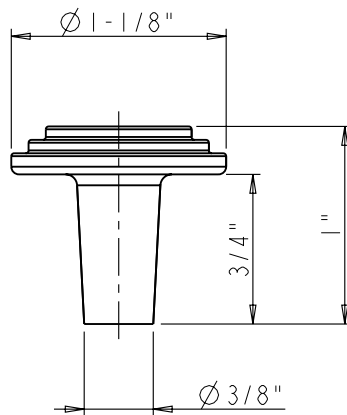
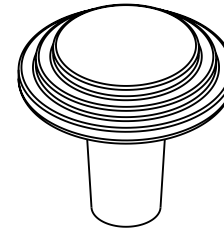



8-32 UNC - DRILL\_DEPTH 3/4"  
SCREW\_DEPTH 1/2"



 <b>PROPRIETARY AND CONFIDENTIAL</b> THE INFORMATION CONTAINED IN THIS DRAWING IS THE SOLE PROPERTY OF HARDWARE RESOURCES INC. ANY REPRODUCTION IN PART OR AS A WHOLE WITHOUT THE WRITTEN PERMISSION OF HARDWARE RESOURCES INC. IS PROHIBITED.	ITEM#: 331	MATERIAL: ZINC
	FINISH:	WEIGHT: 29.35 g
TOLERANCE UNLESS OTHERWISE SPECIFIED: X ±0.20 X.X ±0.10 X.XX ±0.05 ANGULAR: ±0.5° DO NOT SCALE DRAWING	UNITS:	DRAWN BY: <i>Alan Liu</i>
	SIZE: A4	APPROVED BY:
	SHEET: 1 OF 1	RELEASE LEVEL:
	DATE:	DATE:
		REVISION: