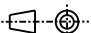
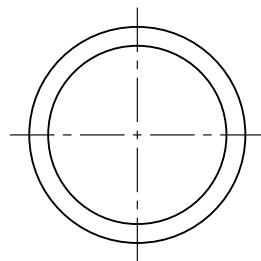
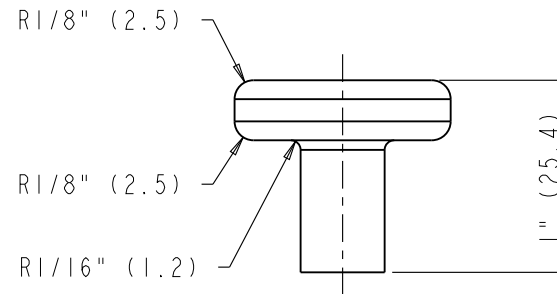
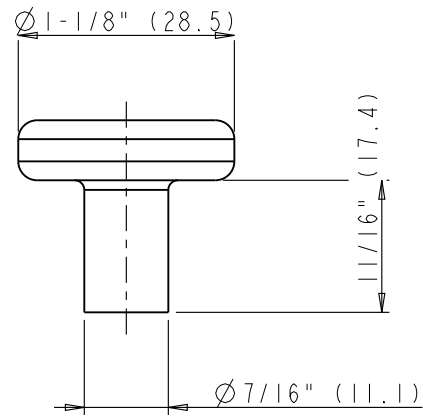
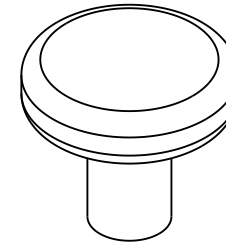
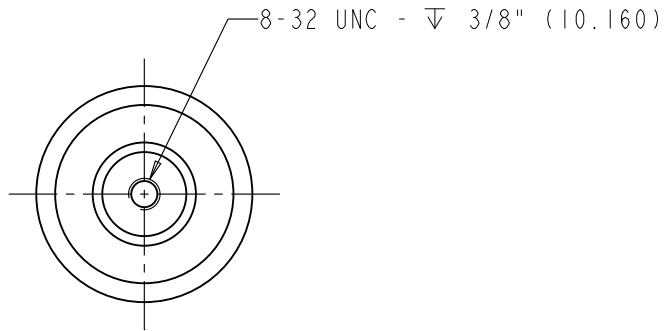

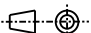
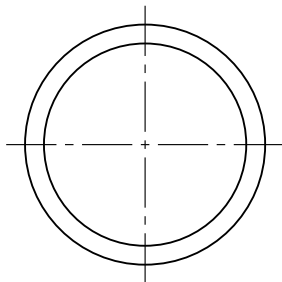
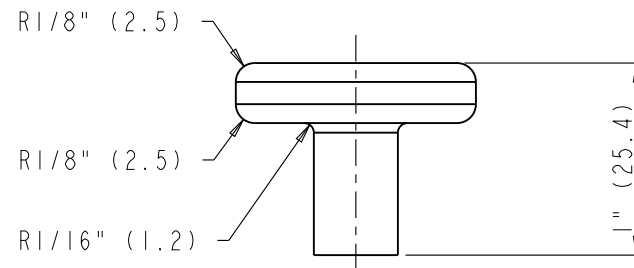
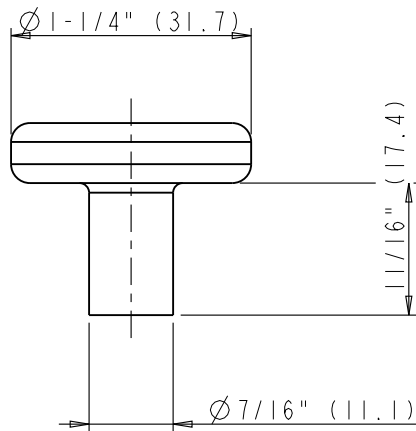
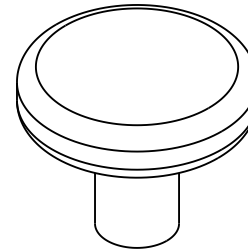
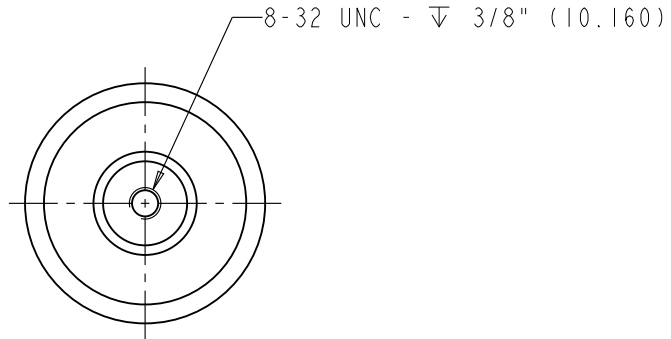

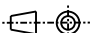
	ITEM#: 105-A		MATERIAL: Zinc		
	Finish:		WEIGHT: 35.0 Gram/0.077 LBS		
<b>PROPRIETARY AND CONFIDENTIAL</b> THE INFORMATION CONTAINED IN THIS DRAWING IS THE SOLE PROPERTY OF HARDWARE RESOURCES INC. ANY REPRODUCTION IN PART OR AS A WHOLE WITHOUT THE WRITTEN PERMISSION OF HARDWARE RESOURCES INC. IS PROHIBITED.	TOLERANCE UNLESS OTHERWISE SPECIFIED: X $\pm 0.20$ X.X $\pm 0.10$ X.XX $\pm 0.05$ ANGULAR: $\pm 0.5^\circ$		UNITS: DRAWN BY: <b>Alexander.W</b>	DATE: Jan-14-20	
	DO NOT SCALE DRAWING		SIZE: APPROVED BY:	DATE:	
			SHEET:	RELEASE LEVEL:	REVISION:
					



	ITEM#: 105-B		MATERIAL: Zinc	
	Finish:		WEIGHT: 41.0 Gram/0.090 LBS	
<b>PROPRIETARY AND CONFIDENTIAL</b> THE INFORMATION CONTAINED IN THIS DRAWING IS THE SOLE PROPERTY OF HARDWARE RESOURCES INC. ANY REPRODUCTION IN PART OR AS A WHOLE WITHOUT THE WRITTEN PERMISSION OF HARDWARE RESOURCES INC. IS PROHIBITED.	TOLERANCE UNLESS OTHERWISE SPECIFIED: X $\pm 0.20$ X.X $\pm 0.10$ X.XX $\pm 0.05$ ANGULAR: $\pm 0.5^\circ$		UNITS: DRAWN BY: <b>Alexander.W</b>	DATE: Jan-14-20
	DO NOT SCALE DRAWING		SIZE: APPROVED BY:	DATE:
			SHEET: RELEASE LEVEL:	REVISION:
			PROJECTION 	



 <b>PROPRIETARY AND CONFIDENTIAL</b> THE INFORMATION CONTAINED IN THIS DRAWING IS THE SOLE PROPERTY OF HARDWARE RESOURCES INC. ANY REPRODUCTION IN PART OR AS A WHOLE WITHOUT THE WRITTEN PERMISSION OF HARDWARE RESOURCES INC. IS PROHIBITED. DO NOT SCALE DRAWING	ITEM:	105-C		MATERIAL:	Zinc
	Finish:			WEIGHT:	49.0 Gram/0.107 LBS
				PROJECTION	
	TOLERANCE UNLESS OTHERWISE SPECIFIED:	UNITS:	DRAWN BY:	DATE:	
X ±0.20		<b>Alexander.W</b>	Jan-14-20		
X.X ±0.10	SIZE:	APPROVED BY:	DATE:		
X.XX ±0.05	SHEET:	RELEASE LEVEL:	REVISION:		
ANGULAR: ±0.5°					