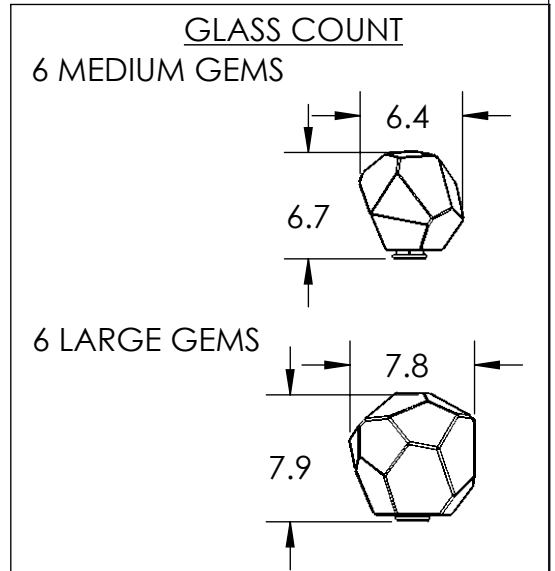
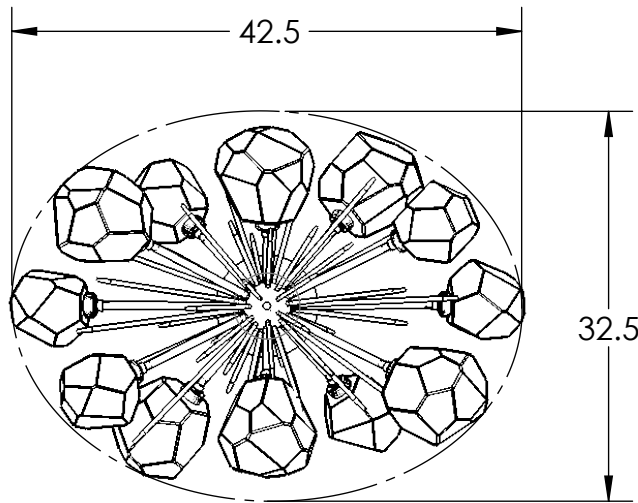
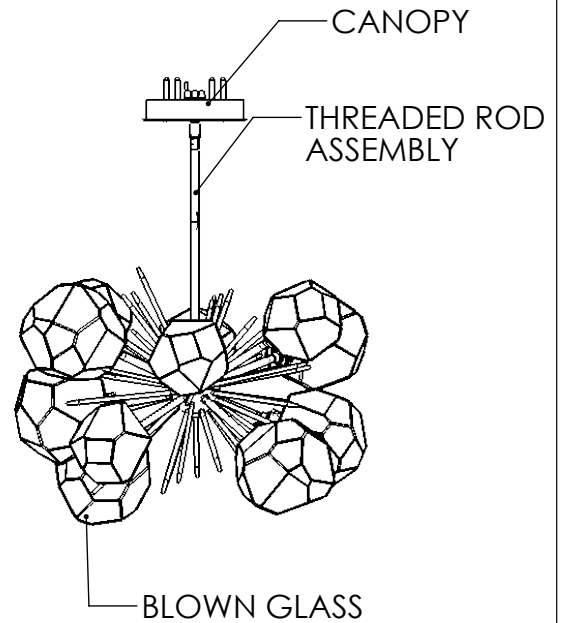
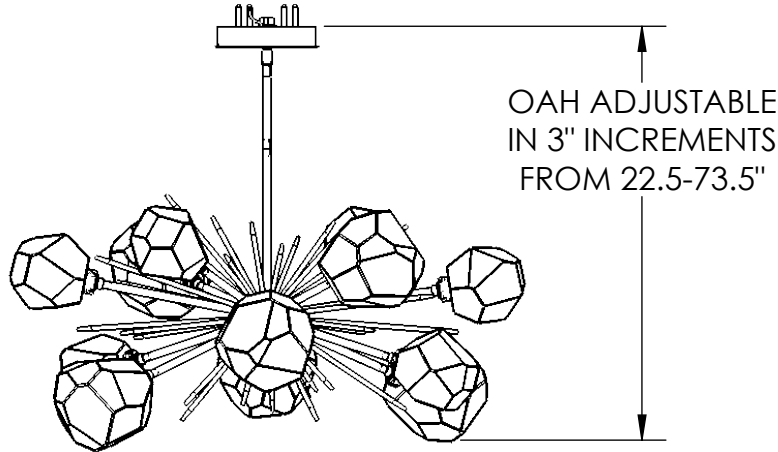


Collection: GEM

Product #: PLB0039-0D



All dimensions are shown in inches unless otherwise stated.
Visit hammertonstudio.com for product options.

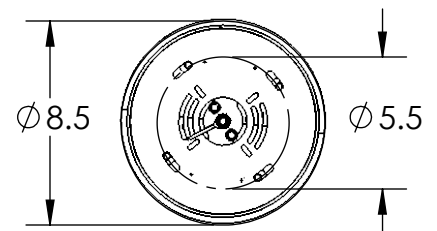
10/25/2022 (B)

Mounting Packet: Z	Weight(lbs.):55	Electrical Type: LED	CCT:2700/3000 K
UL Location: DRY		Elec. Qty: 12	Wattage: 21 Voltage: 120
Finish: SEE WEBSITE FOR OPTIONS		Source Lumens: Ambient:1565	Down:N/A
Top Diffuser: CLOSED GLASS		Dimmable: Forward/Reverse Phase To 1%	
Bottom Diffuser: CLOSED GLASS		CRI: 93+	Power Factor: >0.9

All fixtures created by Hammerton are handcrafted by artisans. Dimensions may vary up to 7/8".

© Copyright 2021. All rights in design, detail or invention of this drawing are reserved as the property of Hammerton. Any imitation or adaptation without written consent is strictly prohibited.

Canopy Mounting Detail



MOUNTS TO BUILDING STRUCTURE