

Chelsea Fireclay Collection

Fire Clay Apron Front 60/40 Double Bowl

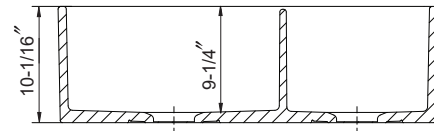
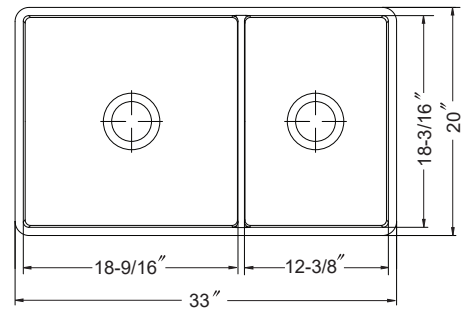
Model CHE-3320DA64-WH - White
 CHE-3320DA64-BQ - Biscuit
 CHE-3320DA64-MB - Matte Black
 CHE-3320DA64-MG - Matte Gray



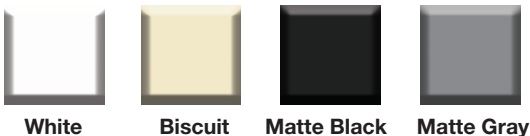
FEATURES

- Non-porous glossy surface
- 9-1/4" depth
- 3-1/2" drain opening
- Chip, crack and scratch resistant
- Available in 4 colors
- Requires Custom Cabinet
- Supplied with fasteners and instructions
- No cut out template is supplied as each sink dimension will vary due to the nature of fireclay manufacturing process.
- Lifetime Limited Warranty

CHE-3320DA64



OPTIONAL COLORS



Color variations possible due to printing constraints.

OVERALL DIMENSIONS	EACH BOWL	PACKAGING*	WEIGHT*
33" x 20"	18-9/16" x 18-3/16" 12-3/8" x 18-3/16"	1/10 pcs.	100/1040lbs.

*Standard packaging: Single boxed /Pallet of single boxed.
 All dimensions are in inches. Specifications subject to change without notice.

OPTIONAL ACCESSORIES

Bottom Grid: SWG-1818F, SWG-1218F
 Strainer : BAS-2000-SS

Project/Job name _____

Architect/Engineer _____

Contractor _____

Model _____ Q'ty _____

Notes _____