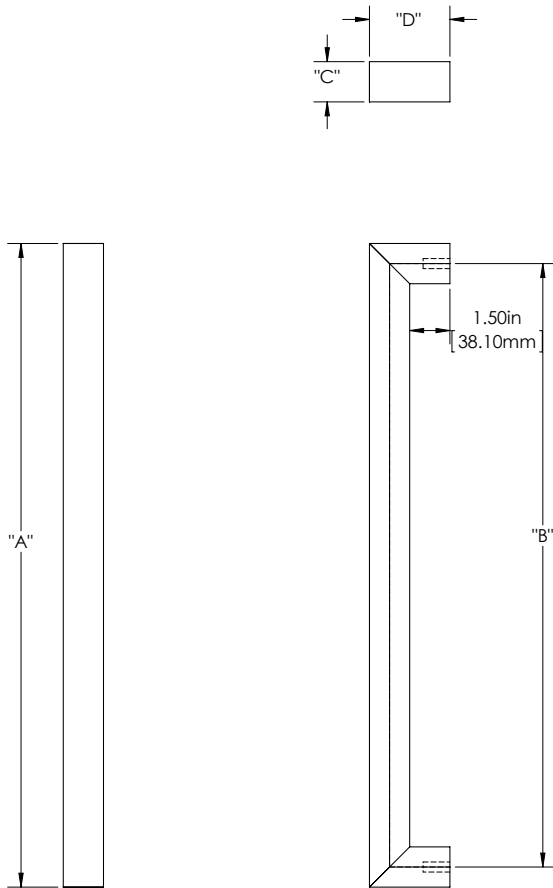




SPECIFICATIONS



Product Description: 1/2" Solid "D" Mitered Grip in Brass

Material	Acrylic	Aluminum	Brass	Stainless Steel	Wood
Grip			✓		
Mount(s)			✓		

Overall Length "A"	Center To Center "B"	Dimension "C" x "D"
18"(457mm)	17"(432mm)	1 1/2" x 3"(38mm x 76mm)
24"(610mm)	23"(584mm)	1 1/2" x 3"(38mm x 76mm)
36"(914mm)	35"(889mm)	1 1/2" x 3"(38mm x 76mm)

Finishes	Aged Brass	Antique Brass	Polished Brass	Satin Brass	Oil Rubbed Bronze	Polished Chrome	Satin Chrome	Polished Nickel	Satin Nickel	Brushed Stainless	Polished Stainless	Powder Coat	Lithonia
Grip	✓	✓	✓	✓	✓	✓	✓	✓	✓			✓	✓
Mount(s)	✓	✓	✓	✓	✓	✓	✓	✓	✓			✓	✓

Custom sizes & finishes available upon request

Dimensions are approximate and provided for reference purposes only