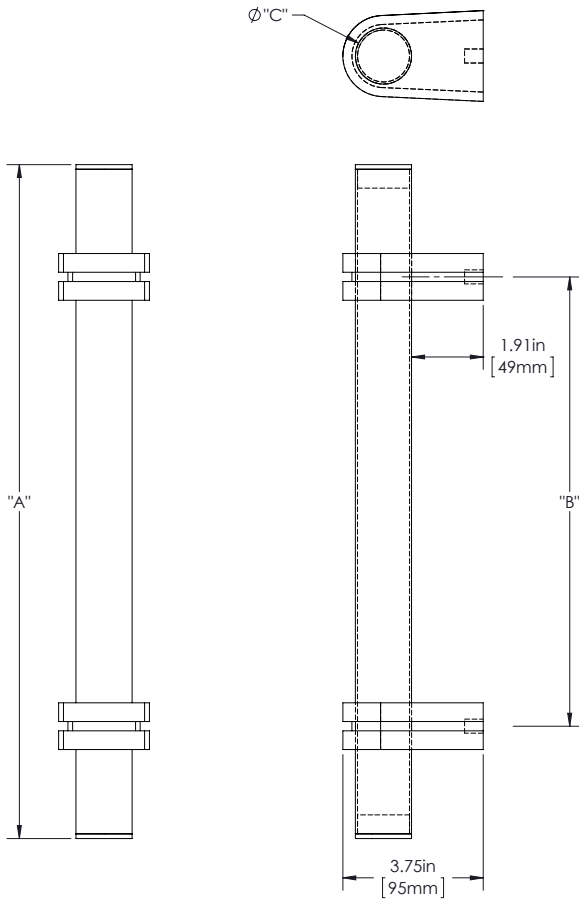




SPECIFICATIONS



Product Description: 1 1/2" Tubular Round Grip with End Caps and Cleverlander Mounts in Brass

Material	Acrylic	Aluminum	Brass	Stainless Steel	Wood
Grip			✓		
Mount(s)			✓		

Overall Length "A"	Center To Center "B"	Overall Diameter "C"
18"(457mm)	12"(305mm)	1 1/2"(38mm)
24"(610mm)	18"(457mm)	1 1/2"(38mm)
36"(914mm)	24"(610mm)	1 1/2"(38mm)

Finishes	Aged Brass	Antique Brass	Polished Brass	Satin Brass	Oil Rubbed Bronze	Polished Chrome	Satin Chrome	Polished Nickel	Satin Nickel	Brushed Stainless	Polished Stainless	Powder Coat	Lithonia
Grip	✓	✓	✓	✓	✓	✓	✓	✓	✓			✓	✓
Mount(s)	✓	✓	✓	✓	✓	✓	✓	✓	✓			✓	✓

Custom sizes & finishes available upon request

Dimensions are approximate and provided for reference purposes only