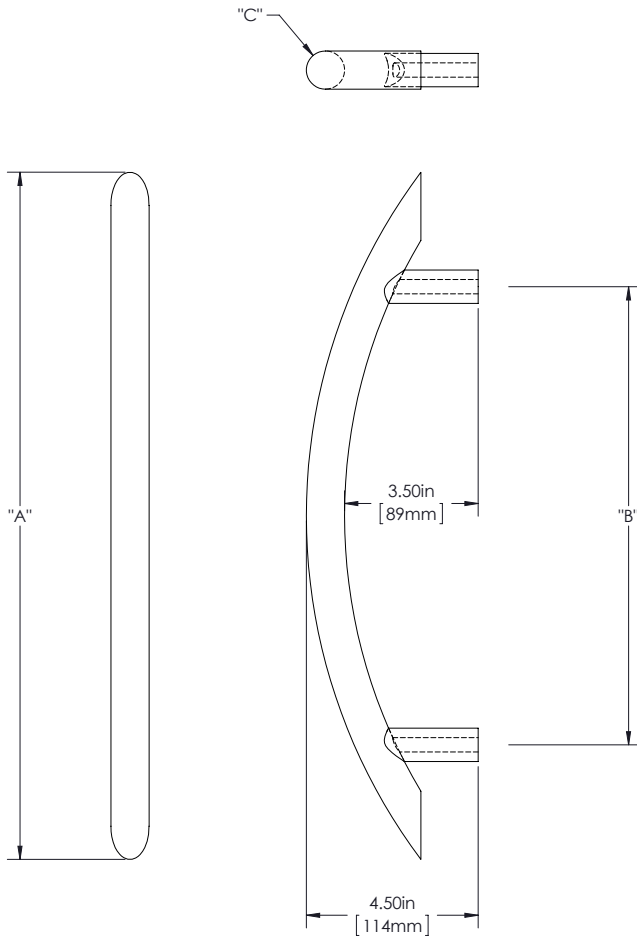




SPECIFICATIONS



Product Description: 1" Tubular Round Front Curved Grip with Mitered and Welded Ends and Straight Round Mounts in Stainless Steel

Material	Acrylic	Aluminum	Brass	Stainless Steel	Wood	Overall Length "A"	Center To Center "B"	Overall Diameter "C"
Grip				✓		12"(305mm)	8"(203mm)	1"(25mm)
Mount(s)				✓		24"(609mm)	14"(356mm)	1"(25mm)
						36"(914mm)	26"(660mm)	1"(25mm)

Finishes	Aged Brass	Antique Brass	Polished Brass	Satin Brass	Oil Rubbed Bronze	Polished Chrome	Satin Chrome	Polished Nickel	Satin Nickel	Brushed Stainless	Polished Stainless	Powder Coat	Lithonia
Grip										✓	✓	✓	✓
Mount(s)										✓	✓	✓	✓

Custom sizes & finishes available upon request

Dimensions are approximate and provided for reference purposes only