

# NIT A-3520

## wall lamp

Date	Type
Project	
Location	
Model #	Quantity
Specifier	

### Description

Metallic wall lamp with a wooden shelf.  
Adjustable reading arm.  
2 Amp USB charger.  
On/off switch at the bottom of the shelf.

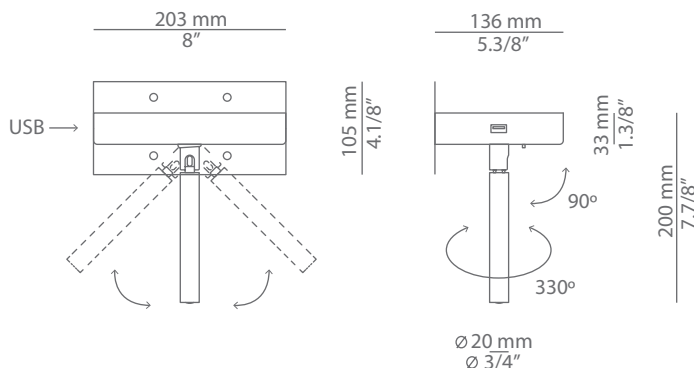


Pictures above might not show the specified dimensions or material. They are for illustration purposes only.



### Ordering information

Product Code	Lamp	Finish	Shelf
■ A-3520	■ LED 1W (3000K / Ang 60° / >80 CRI / 350mA) 120V (included) / Typ* 96 lumens / Non Dimmable On/Off switch / 2Amp USB Charger	■ 74 WH White ■ CUSTOM	■ 80 FSN O Olive Ash ■ 81 ZB Zebrawood ■ CUSTOM



## SPECIAL REQUIREMENTS

### Custom finishes and versions

We offer custom shelf material and RAL finishes.  
Alternate lamping and versions available for projects. Consult our offices.

### Special instructions

---



---