

BALLOON T-3055C

suspension lamp

Date	Type
Project	
Location	
Model #	Quantity
Specifier	

Description

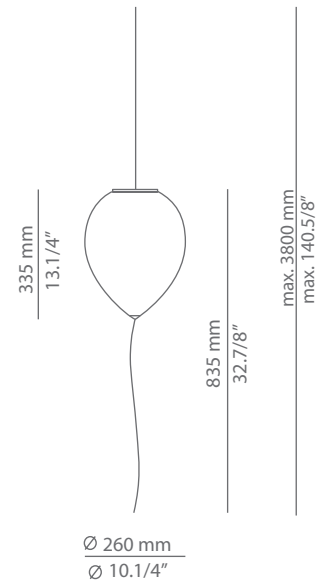
Ceiling lamp providing direct and indirect light.
Shades is made of satinated translucent polyethylene.



Pictures above might not show the specified dimensions or material. They are for illustration purposes only.

Ordering information

Product Code	Lamp	Finish
■ T-3055C	■ LED or Fluor. up to 26W Medium base / 120V (not included) Dimmable when using dim. lamps	■ 74 WH White



SPECIAL REQUIREMENTS

Custom finishes and versions

Alternate lamping and sizes available for projects.

Standard compositions bellow, other compositions available with multiple canopies. Consult our offices.

Special instructions

BALLOON T-3055S

suspension lamp

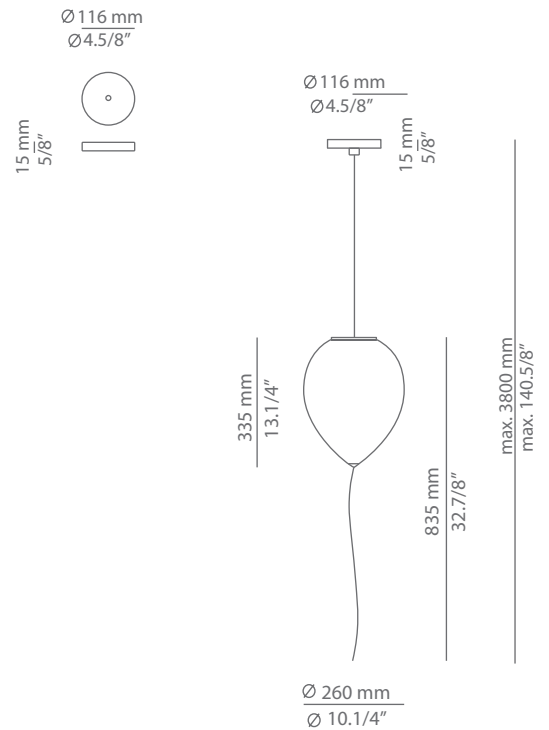
Date	Type
Project	
Location	
Model #	Quantity
Specifier	

Ordering information

Code	Lamp	Canopy	Finish
■ T-3055S	■ LED or Fluor. up to 26W / Medium base / 120V (not included) Dimmable when using dim. lamps	■ 71 WH White	■ 74 WH White

Product includes

Code	Description
■ 113416710	■ 1 Canopy for 1 single pendant
■ T-3055C	■ 1 Balloon pendant



SPECIAL REQUIREMENTS

Custom finishes and versions

Alternate lamping and sizes available for projects.

Standard compositions bellow, other compositions available with multiple canopies. Consult our offices.

Special instructions

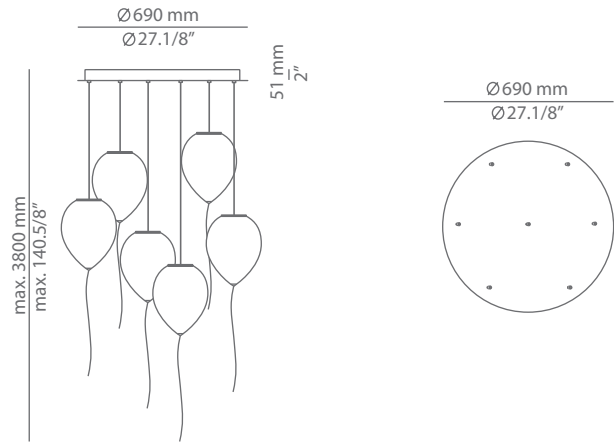
BALLOON T-3055C

suspension lamp

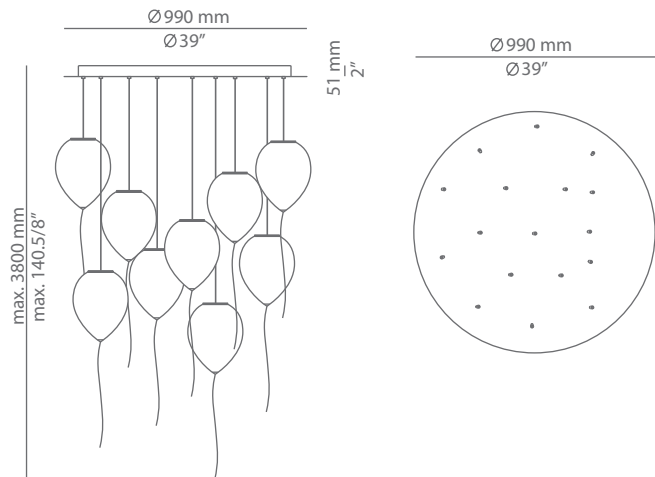
Date	Type
Project	
Location	
Model #	Quantity
Specifier	

Many possible configurations with T-3055C

Code	Composition includes						
R70.6 balloon	<ul style="list-style-type: none"> 1 round canopy 113415XX4 6 units of T-3055C Add up to 1 additional Balloon 						
<table border="0"> <tr> <td>Canopy</td> <td>Finish</td> </tr> <tr> <td>26 BLK Black</td> <td>74 WH White</td> </tr> <tr> <td>71 WH White</td> <td></td> </tr> </table>		Canopy	Finish	26 BLK Black	74 WH White	71 WH White	
Canopy	Finish						
26 BLK Black	74 WH White						
71 WH White							



Code	Composition includes						
R100.9 balloon	<ul style="list-style-type: none"> 1 round canopy 113415XX5 9 units of T-3055C Add up to 8 additional Balloon 						
<table border="0"> <tr> <td>Canopy</td> <td>Finish</td> </tr> <tr> <td>26 BLK Black</td> <td>74 WH White</td> </tr> <tr> <td>71 WH White</td> <td></td> </tr> </table>		Canopy	Finish	26 BLK Black	74 WH White	71 WH White	
Canopy	Finish						
26 BLK Black	74 WH White						
71 WH White							



Code	Composition includes						
M5 balloon	<ul style="list-style-type: none"> 1 multipoint canopy 113415XX2 5 units of T-3055C 5 ceiling holders Add up to 2 additional Balloon 						
<table border="0"> <tr> <td>Canopy</td> <td>Finish</td> </tr> <tr> <td>26 BLK Black</td> <td>74 WH White</td> </tr> <tr> <td>71 WH White</td> <td></td> </tr> </table>		Canopy	Finish	26 BLK Black	74 WH White	71 WH White	
Canopy	Finish						
26 BLK Black	74 WH White						
71 WH White							

