

ARO

suspension

T-3542 / T-3543

Date	Type
Project	
Location	
Model #	Quantity
Specifier	

Description

Metallic suspension lamp with circular, adjustable heads and acrylic diffusers.

The heads rotate up to 106°.

The lamp can be mounted with all heads facing up or all heads facing down.

Dimmable 1-10V.

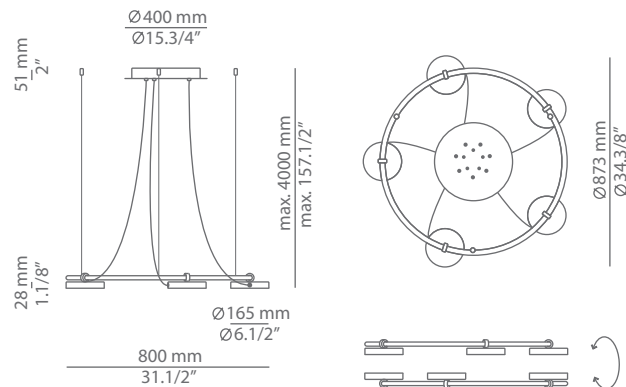
Composition aro R40.1M1L luminaires are dimmable independently (two circuits) and can be mounted with heads facing up or down.



Pictures above might not show the specified dimensions or material. They are for illustration purposes only.

Ordering information

Product Code	Lamp	Finish	Canopy
■ T-3542-W	■ LED 5x10W (2700K / Ang 116° / >80 CRI / 700mA) 120V (included) / Typ* 5x1437 lumens Dimmable 1-10V	■ 56 BLK Black ■ CUSTOM	■ 26 BLK Black ■ 74 WH White ■ CUSTOM



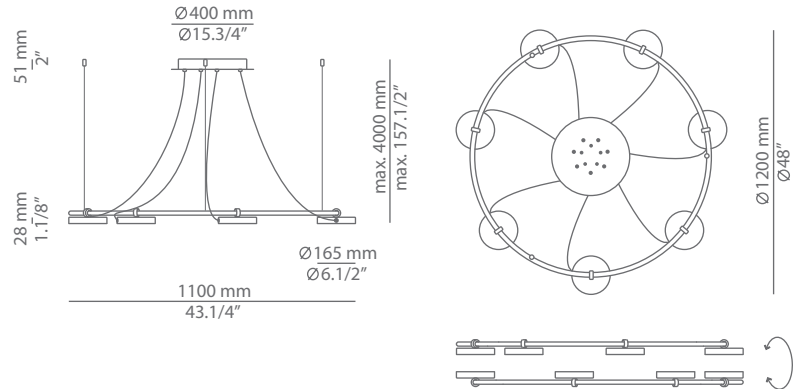
ARO

suspension

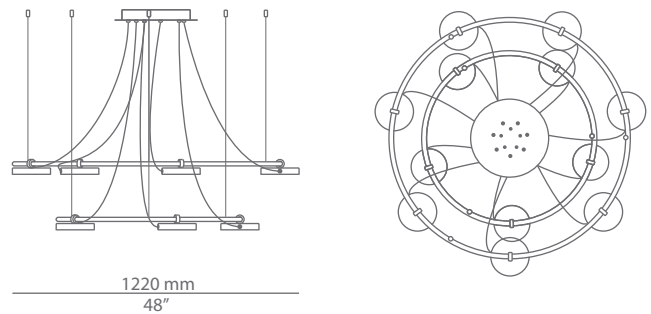
T-3542 / T-3543

Date	Type
Project	
Location	
Model #	Quantity
Specifier	

Product Code	Lamp	Finish	Canopy
■ T-3543-W	<ul style="list-style-type: none"> LED 7x10W (2700K / Ang 116° / >80 CRI / 700mA) 120V (included) / Typ* 7x1437 lumens Dimmable 1-10V 	<ul style="list-style-type: none"> ■ 56 BLK Black ■ CUSTOM 	<ul style="list-style-type: none"> ■ 26 BLK Black ■ 74 WH White ■ CUSTOM



Product Code	Composition includes	Finish	Canopy
■ R40.1M1L	<ul style="list-style-type: none"> 1 round canopy 113542263 1 unit of T-3542C-W 1 unit of T-3543C-W 2 drivers / Dimmable 1-10V 	<ul style="list-style-type: none"> ■ 56 BLK Black ■ CUSTOM 	<ul style="list-style-type: none"> ■ 26 BLK Black ■ 74 WH White ■ CUSTOM



SPECIAL REQUIREMENTS

Custom finishes and versions

We offer custom RAL finishes.

Alternate lamping and sizes available for projects. Consult our offices.

Special instructions
