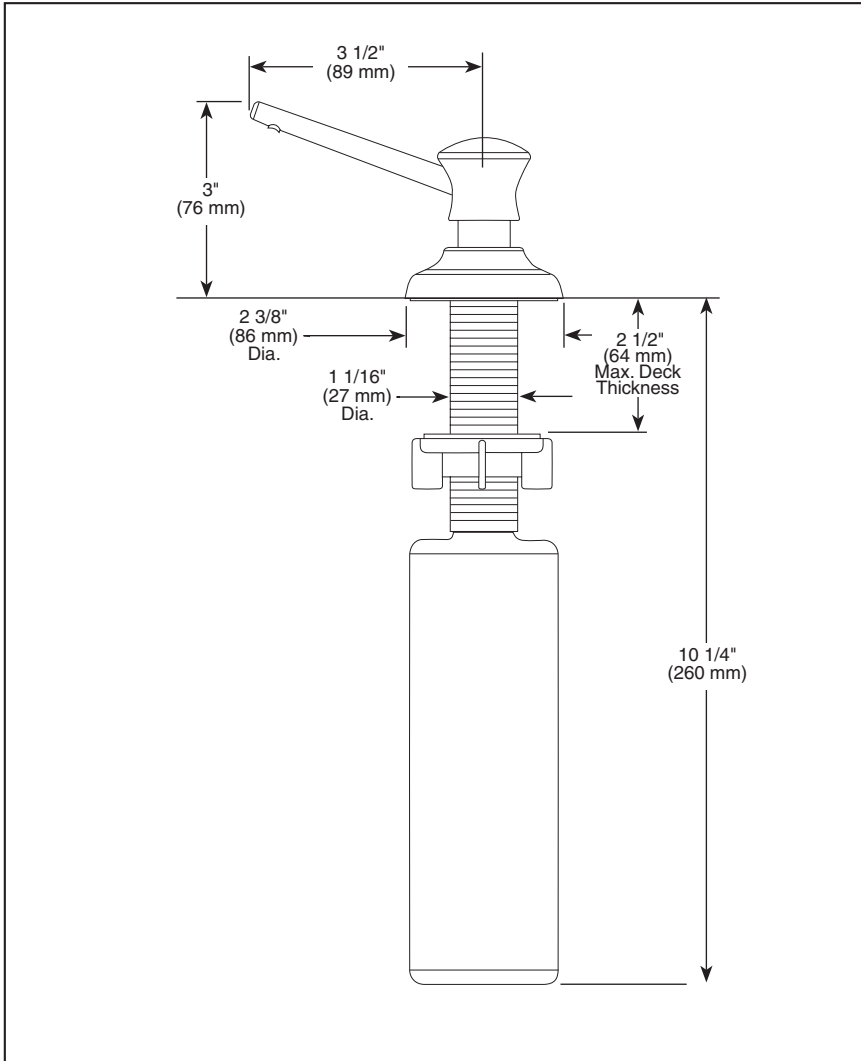


Submitted Model No.: _____

Specific Features: _____



▲ Designate Proper Finish Suffix



SOAP DISPENSER

STANDARD SPECIFICATIONS:

- 13 ounce bottle.
- Refillable from above the deck.
- 2 1/2" max. deck thickness.
- Includes RP30395 refill funnel.

WARRANTY

- Lifetime Faucet and Finish Limited Warranty to the original consumer purchaser to be free from defects in material and workmanship.
- 5 Year Limited Warranty for usage in all industrial, commercial and business applications.



Delta reserves the right (1) to make changes in specifications and materials, and (2) to change or discontinue models, both without notice or obligation. Dimensions are for reference only. See current full-line price book or www.specselect.com for finish options and product availability.

DSP-K-RP1002 Rev. A

55 E. 111th Street, Indianapolis, Indiana 46280
 395 Matheson Blvd. E., Mississauga, ON L4Z 2H2
 © 2010 Masco Corporation of Indiana