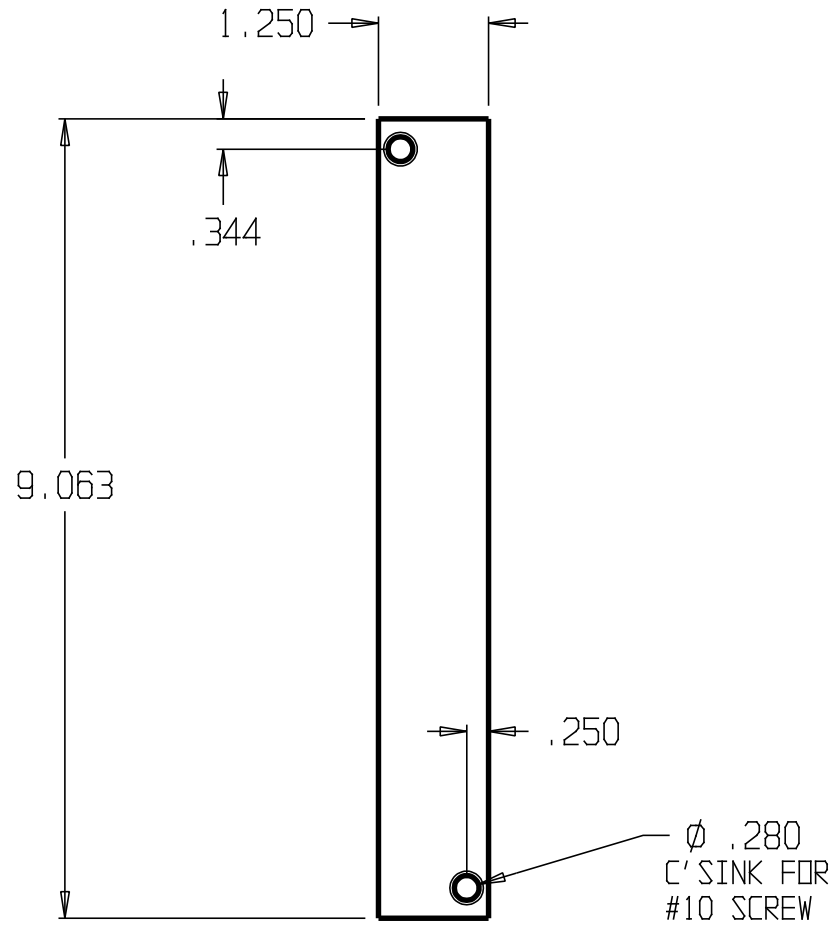


REVISIONS			
ZONE	REV	FINISHES:	GAUGE:
		PRIME COAT	1/4"



DON-JO MFG. INC.

DESIGNER	SIZE	DATE:	PART NO.	REV
	A	11/15/04	EPT-1	
APPROVED	SCALE	RELEASE DATE	WEIGHT	SHEET