

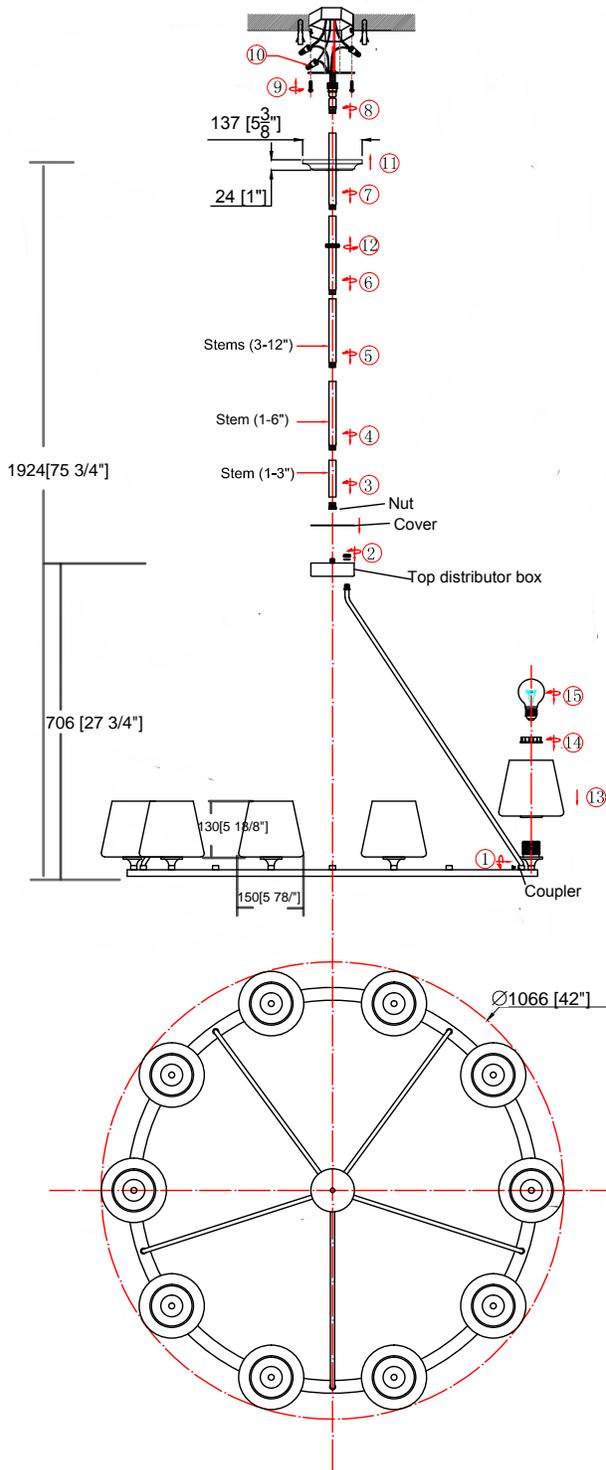
CRYSTORAMA

LIGHTING THE WAY FOR SIXTY YEARS



Crystorama.com

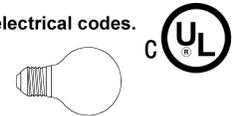
ASSEMBLY INSTRUCTION MODEL # KEE-A3009-MK



WARNING:

Electrical Danger Turn Power Off

All electrical components must be installed by a licensed electrician in accordance with the National Electric Code and the appropriate local electrical codes.



**You will need 10 Medium Base Bulb
40 Watts Recommended 60 Watts Max.
USE LED BULBS FOR EXTENDED USE(This fixture is Dry rated)**

How to Install

1. Please place the fixture parts on a soft-cloth covered platform before installation. Do not remove the packaging on the arms until after installation is completed.
2. Insert one end of the rod into the coupler on the bottom ring and secure it with the set screw. Repeat for other rods.
3. Place the top distributor box over the other end of hang rods and secure with washer and hex nut.
4. Place the cover over the distributor box and secure with the nut.
5. Pass the wire through the stems and put them together.
6. Pass the screw collar loop and canopy over the stems and screw the swivel onto the top of upper-most stem.
7. Raise the fixture up to the ceiling and do the wire connection. Place the canopy over the junction box and secure with screw collar ring.
8. Place the glass over the socket and secure with socket ring.

WARNING: This product can expose you to Lead, which is known to the State of California to cause cancer and/or birth defects or reproductive harm. For more information go to www.P65Warnings.ca.gov

CRYSTORAMA

LIGHTING THE WAY FOR SIXTY YEARS



Crystorama.com

PART NUMBER MODEL KEE-A3009-MK

Part Number

Part Numbers

- A. (1)-Mounting Hardware
- B. (1)-Canopy; ϕ W5.3*H7/8"
(XBN3009MKCAN5.3IN)
- C. (1)-Screw Collar Loop
- D. (1)-Swivel
- E. (1)-Stems; 3" (XBN3009MKSTEM3IN)
- F. (1)-Stems; 6" (XBN3009MKSTEM6IN)
- G. (3)-Stems; 12" (XBN3009MKSTEM12IN)
- H. (5)-Support bar L31 1/5"
- I. (10)-Glass shade D6"XH5.1"
(XBN3009SHA5.1IN)

