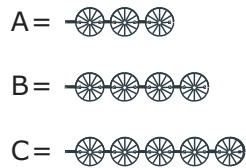
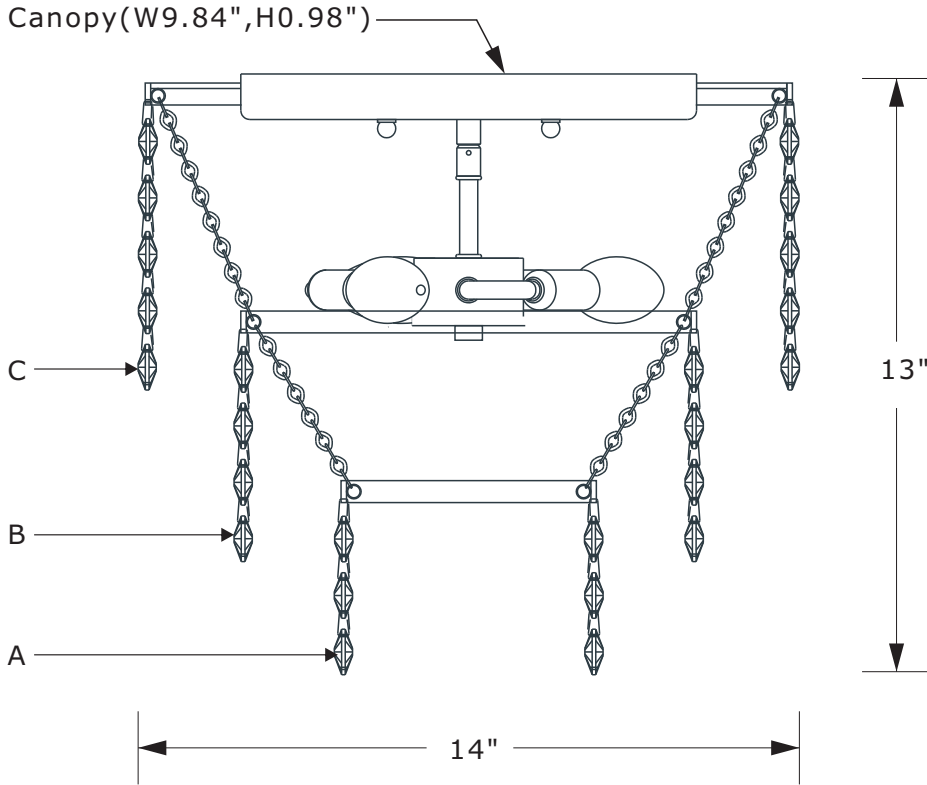


CRYSTORAMA

LIGHTING THE WAY FOR SIXTY YEARS

ASSEMBLY INSTRUCTION MODEL #GAB-B7303-GA



All electrical components must be installed by a licensed electrician in accordance with the National Electric Code and the appropriate local electrical codes.



You will need 3-Candelabra Base Bulb
40 Watts Recommended 60 Watts Max.

USE LED BULBS FOR EXTENDED USE

This fixture is DAMP rated

How to Install

1. Do a complete inventory of all parts and components before you start installation.
2. Attach the light cluster to the swivel.
3. Insert recommended bulb (not included).
4. Attach the top end of the chain to the hook located inside the top banding.
5. Raise the canopy onto the outlet box, and secure it with the ball nuts.
6. Dress the fixture with crystal as illustrated.

Bead Sets

A. 16 Sets.
(3) 25mm 2 holes

B. 28 Sets.
(4) 25mm 2 holes

C. 40 Sets.
(5) 25mm 2 holes

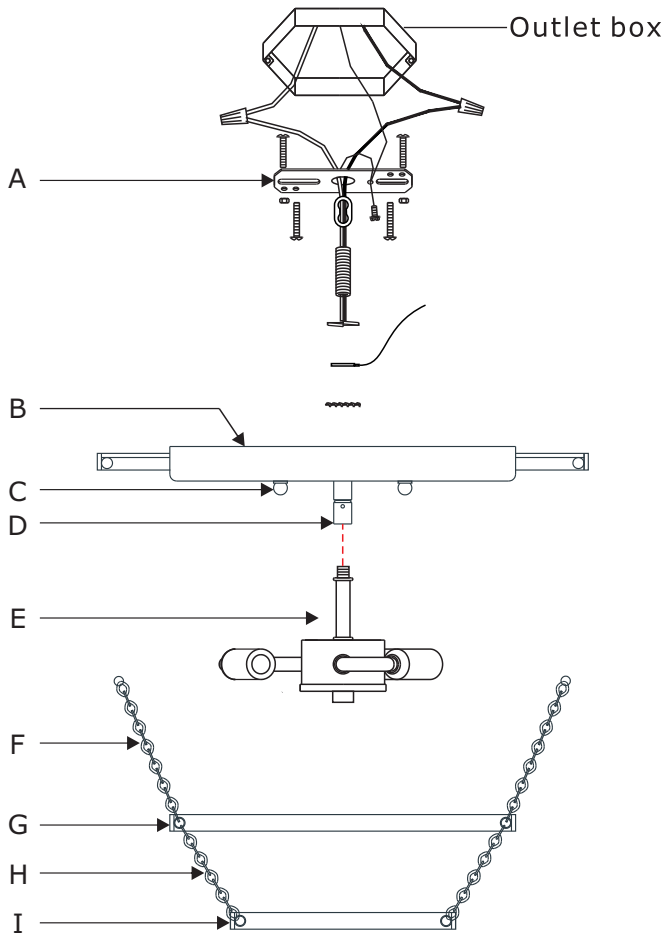
WARNING: This product can expose you to Lead, which is known to the State of California to cause cancer and/or birth defects or reproductive harm. For more information go to www.P65Warnings.ca.gov.

CRYSTORAMA

LIGHTING THE WAY FOR SIXTY YEARS

PART NUMBER MODEL #GAB-B7303-GA

Part Number



- A. (1) - Mounting Hardware
- B. (1) - Canopy(W9.84",H0.98") #XRE7303GACAN9.84IN
- C. (2) - Ball Nut #XRE7303GABANUT
- D. (1) - Swivel
- E. (1) - Light Cluster
- F. (3) - Top Chain(L5",D1.8MM)
- G. (1) - Middle Ring
- H. (3) - Bottom Chain(3.74",D1.8MM)
- I. (1) - Bottom Ring