

# CRYSTORAMA

95 Cantiague Rock Road , Westbury, NY 11590 • toll free: 1.800.888.4470 fax: 516.931 .1254 • info@crystorama.com • www.crystorama.com

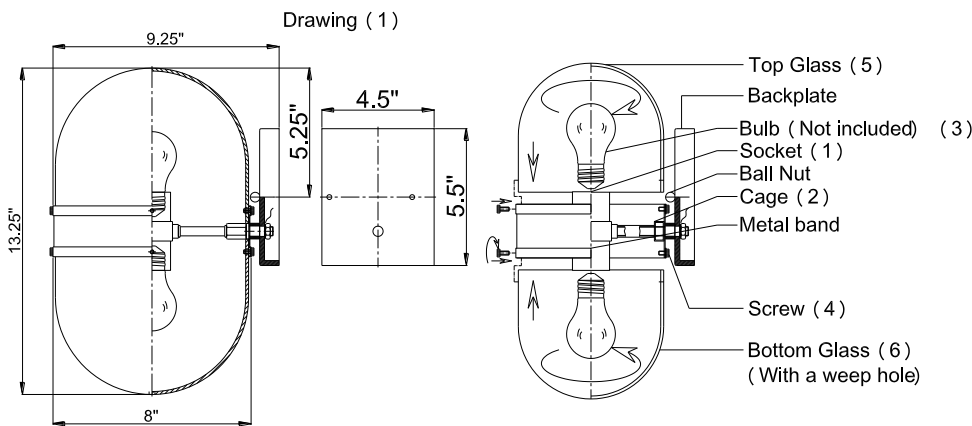
## MODEL#: CAP-8504-MK-TG ASSEMBLY INSTRUCTIONS



All electrical components must be installed by a licensed electrician in accordance with the National Electric Code and the appropriate local electrical codes.



You will need 2 - Med.Bulb  
40 Watts Recommended  
60 Watts Max  
USE LED BULBS FOR EXTENDED USE  
California T24 JA8-2016 Qualified: Satco (S9612); 10.5 watt LED Medium Base recommended. Bulb not included



### Assembly:

1. To install glass, separate the Cage (2), by removing the Screws (4).
2. Install the bulb (3) to the socket (1).
3. Connect the Top Glass (5) and the Bottom Glass (6), by screwing in Screws (4) to secure cage.
4. The backplate of the fixture can now be mounted to the wall by following instruction **Drawing 2**.

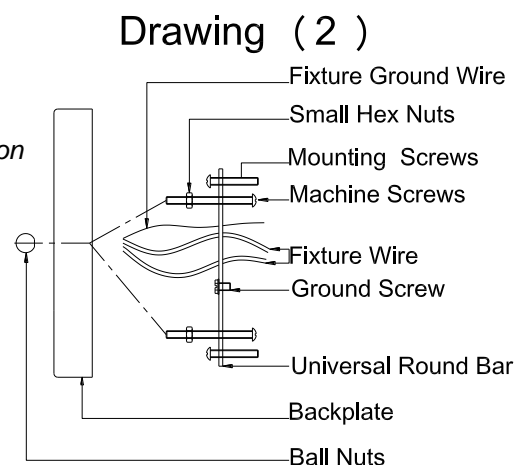
### Replacement Glass installation:

1. Follow instructions # 1 and # 3 above to install new glass. Complete by connecting the Top glass (5) and the bottom Glass (6) by screwing in Screws (4) to secure cage.

### Bulb replacement:

1. Separate the top Glass (5) and the bottom glass (6), by removing Screws (4).
2. Install the bulb (3) into the socket
3. Complete by connecting the top Glass (5) and the bottom glass (6) by screwing in Screws (4) to secure cage.

After securing fixture to the wall it is recommended that the gap between the wall and the backplate be sealed on the top and both sides, with a good quality waterproof caulk or silicone sealant (NOT INCLUDED)



2017-11-02