

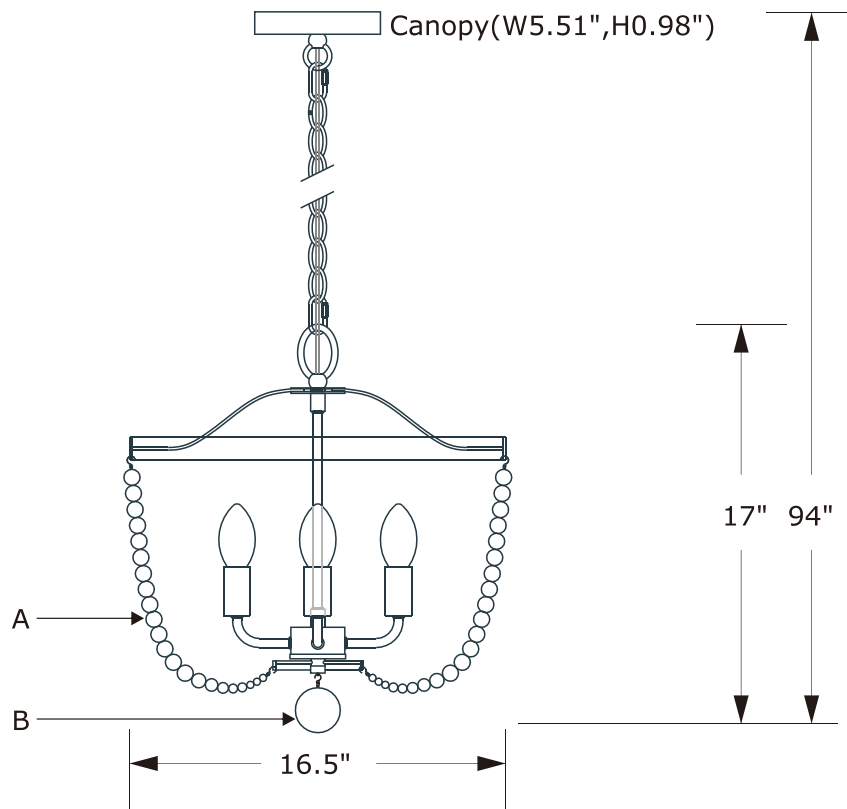
CRYSTORAMA

LIGHTING THE WAY FOR SIXTY YEARS

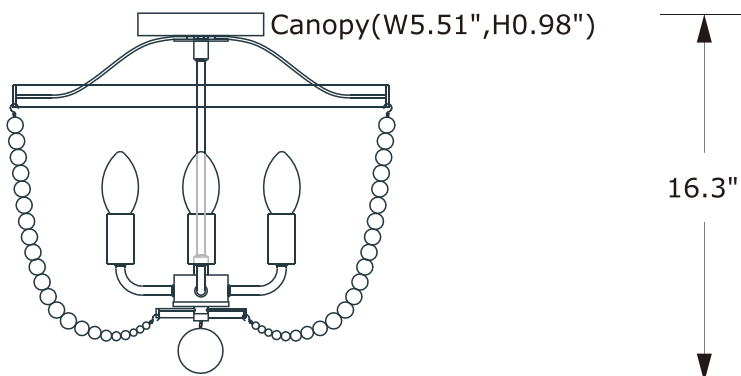


ASSEMBLY INSTRUCTION MODEL #604-MK-FR

Hanging



Ceiling



A=

B=



All electrical components must be installed by a licensed electrician in accordance with the National Electric Code and the appropriate local electrical codes.



You will need 4-Candelabra Base Bulb
40 Watts Recommended 60 Watts Max.

USE LED BULBS FOR EXTENDED USE

This fixture is DAMP rated

How to install

For hanging:

1. Do a complete inventory of all parts and components before you start installation.
2. Attach the center stem assembly onto the light cluster.
3. Attach the other end of the center stem onto the swivel. Attach the bottom ring onto the bottom of cluster. Secure it with Drop "B".

4. Press the end of the steel strand to form a hook.

5. Dress the fixture with beads "A" and "B" as illustrated.

For ceiling:

1. Repeat step#1-3 above.
2. Remove the fixture loop and attach the canopy onto the top of fixture. Secure it with hex nut.

Bead Sets

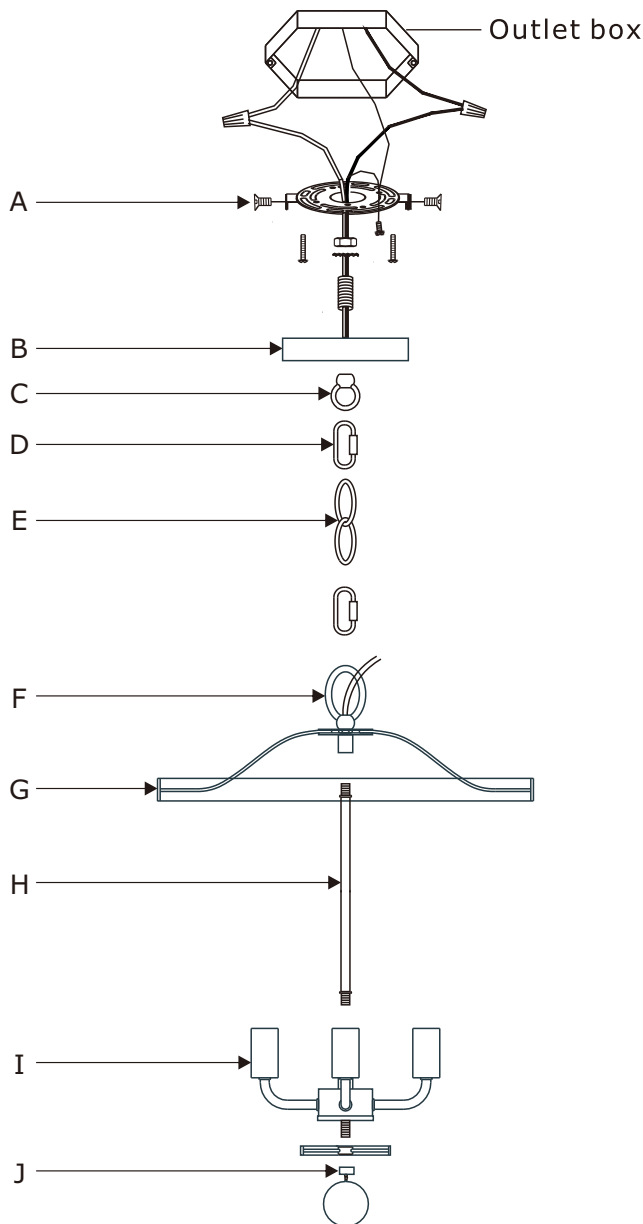
A. 40 Sets.
(14)18mm + (1)16mm +
(1)14mm + (1)12mm +
(2)10mm + (3)8mm

B. 1 Set.
(1)50mm

WARNING: This product can expose you to Lead, which is known to the State of California to cause cancer and/or birth defects or reproductive harm. For more information go to www.P65Warnings.ca.gov.



PART NUMBER MODEL #604-MK-FR



Part Number

- A. (1) - Mounting Hardware
- B. (1) - Canopy(W5.51",H0.98") #XRE604MKFRCAN5.51IN
- C. (1) - Fixture Loop1
- D. (2) - Quick Link
- E. (1) - Hanging Chain(72",4mm) #XRE603MKCHA4MM
- F. (1) - Fixture Loop2
- G. (1) - Top Banding Frame
- H. (1) - Center Stem(9.45",9.7mm)
- I. (1) - Cluster
- J. (1) - Finial #XRE604MKFRFIN