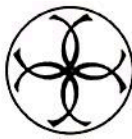
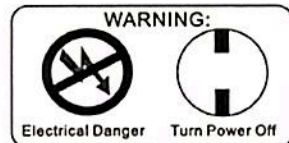


CRYST RAMA

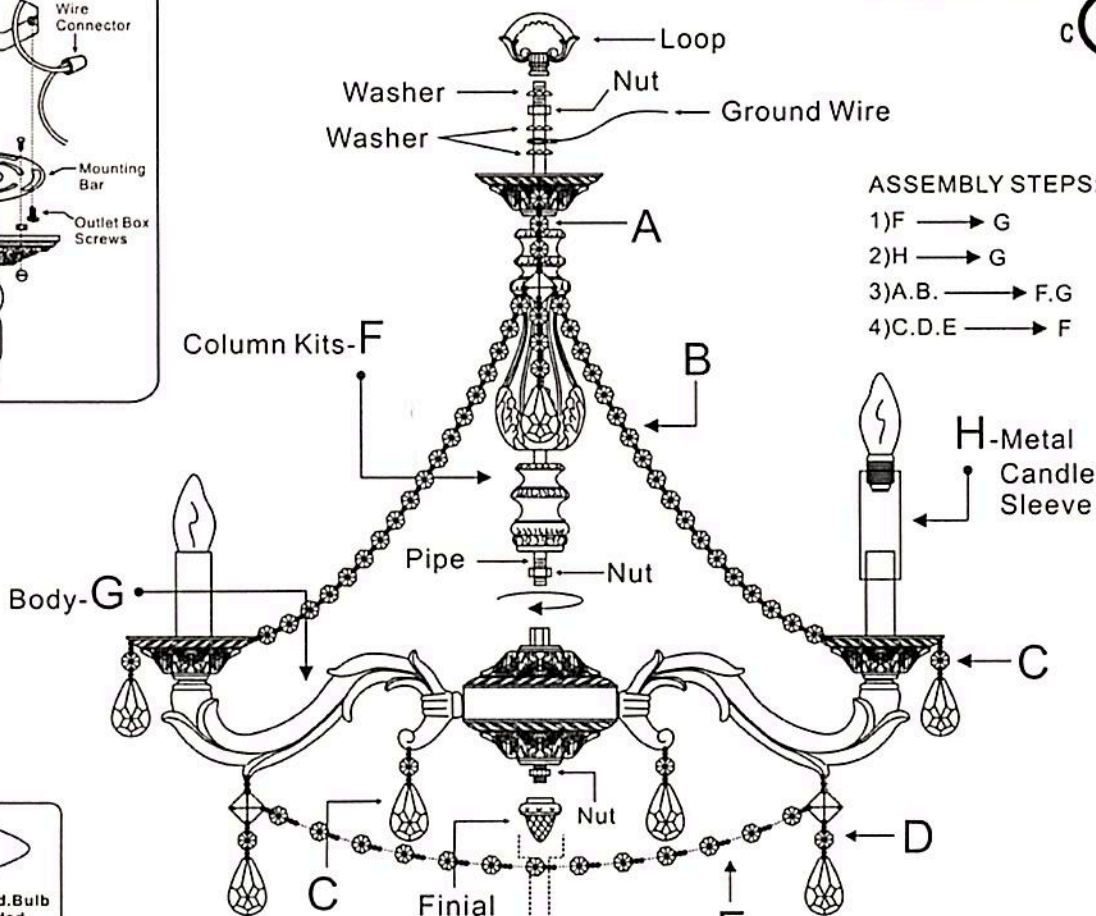
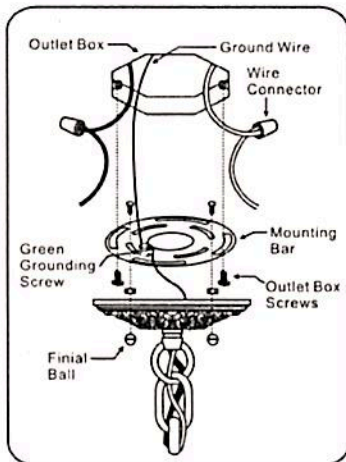


1958
95 Cantiague Rock Road, Westbury NY 11590
ph:516.931.9090 fax: 516. 931.1254
info@crystorama.com www.crystorama.com

MODEL#:5026 ASSEMBLY AND DRESSING INSTRUCTIONS

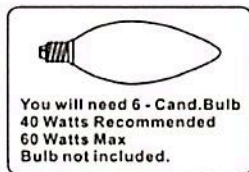


All electrical components must be installed by a licensed electrician in accordance with the National Electric Code and the appropriate local electrical codes.



ASSEMBLY STEPS:

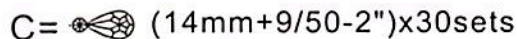
- 1) F → G
- 2) H → G
- 3) A, B → F, G
- 4) C, D, E → F



A = (14mmx3pcs+18mm+14mmx3pcs+9/50-2")x6sets



B = (14mmx18pcs)x12sets-with short pin.



C = (14mm+9/50-2")x30sets



D = (18mm+14mm+9/50-2")x6sets-Wp.h.



E = (14mmx13pcs)x6sets-with short pin.

Screw	Crossbar	Nut & Washer
Nut	Finial Ball	Green Ground Screw
Finial	Chain	Canopy
The Finial is contained in the canopy kit bag.		