

# CRYST RAMA



1958

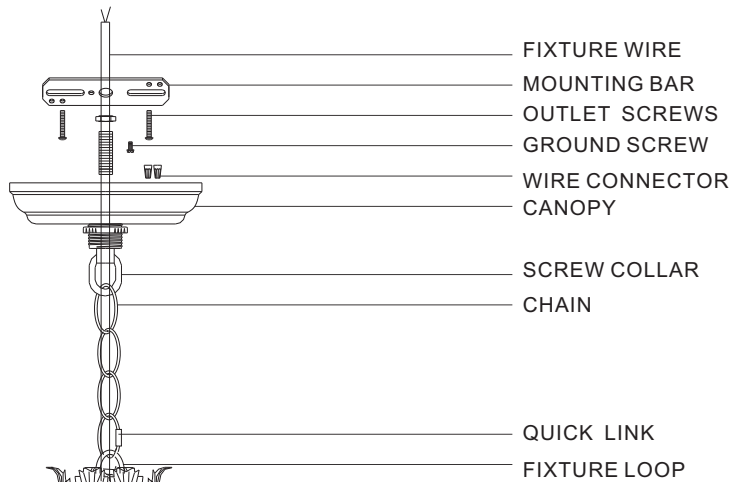
95 Cantiague Rock Road, Westbury NY 11590  
 ph:516.931.9090 fax:516.931.1254  
 info@crystorama.com • www.crystorama.com

## MODEL#:4846-CT ASSEMBLY AND DRESSING INSTRUCTIONS

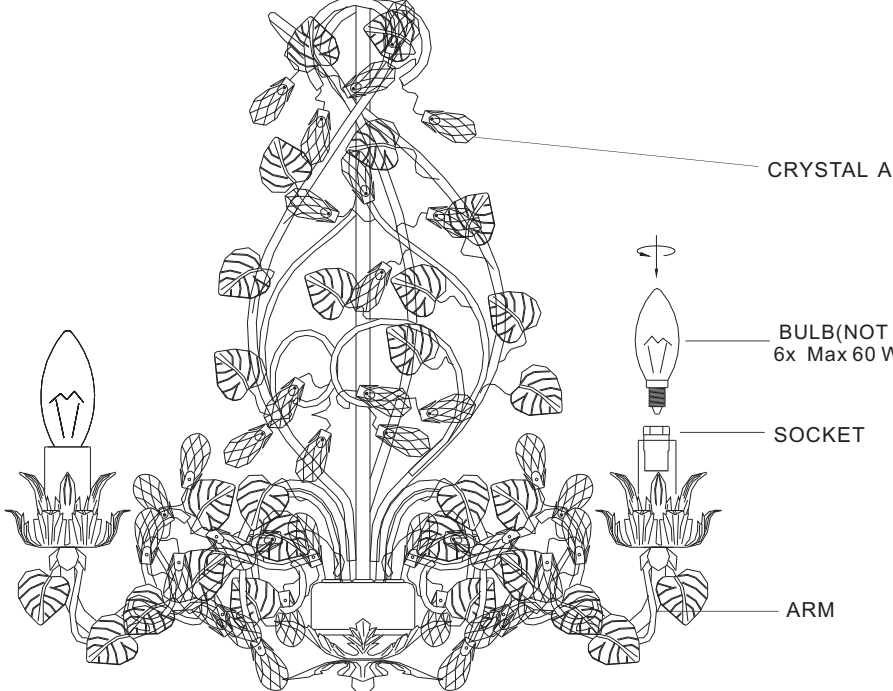
**WARNING:**

Electrical Danger      Turn Power off

All electrical components must be installed by a licensed electrician in accordance with the National Electric Code and the appropriate local electrical codes.



You will need 6- Cand, Bulb  
 40 Watts Recommended  
 60 Watts Max  
 Bulb not included.



crystal-A      pin      tool

use this tool  
 to change the crystal

CRYSTAL A=  1.5" x 138PCS

ASSEMBLE THESE PARTS TO THE BOTTOM

2012-01