

CRYSTORAMA

LIGHTING THE WAY FOR SIXTY YEARS

ASSEMBLY INSTRUCTION MODEL #4474-CH-CL-MWP



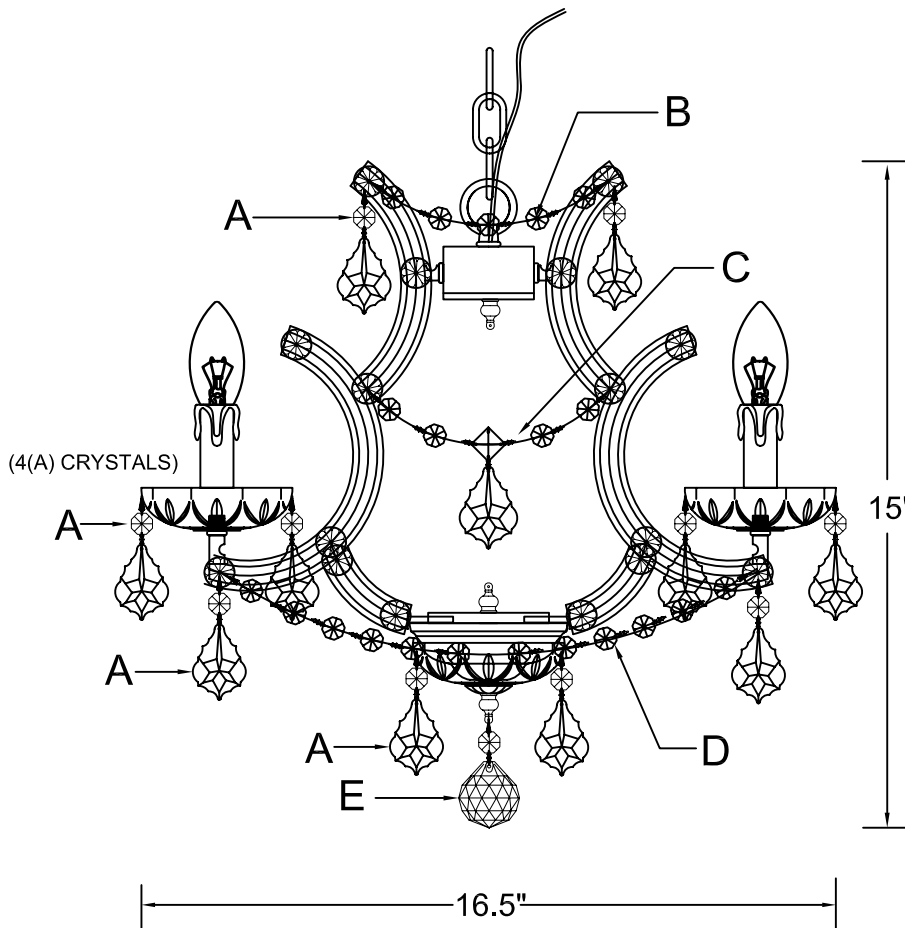
All electrical components must be installed by a licensed electrician in accordance with the National Electric Code and the appropriate local electrical codes.



You will need 4-Candelabra Base Bulb

40 Watts Recommended 60 Watts Max

USE LED BULBS FOR EXTENDED USE



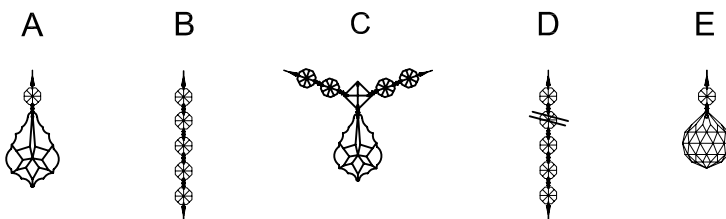
How to Install

1. Do a complete inventory of all parts and components before you start installing.
2. After safely attaching fixture into outlet box, install bobeches, bulbs and proceed to connecting the power.
3. When you begin to dress the fixture, start with packet labeled (A).
4. **IMPORTANT:** Apply crystal sets in alphabetical order.

DETAILED ILLUSTRATION

Crystal Sets

- A. 28Sets. (1)14mm + AS20-2"
- B. 4Sets. (5)14mm
- C. 4Sets. (4)14mm + (1) 14mm Square + AS20-2"
- D. 4Sets. (12)14mm
- E. 1Piece. (1)14mm + AS8-30mm Ball



WARNING: This product can expose you to Lead, which is known to the State of California to cause cancer and/or birth defects or reproductive harm. For more information go to www.P65Warnings.ca.gov

CRYSTORAMA

LIGHTING THE WAY FOR SIXTY YEARS

PART NUMBER MODEL #4474-CH-CL-MWP

Part Number

Part Numbers

- A. (2)-Wire Connector
- B. (1)-Mounting Plate
- C. (2)-Outlet Box Screws
- D. (1)-Lock washer
- E. (1)-Hex Nut
- F. (1)-Nipple
- G. (1)-Canopy; w5" x h1" (XFB4405CHCAN5IN)
- H. (1)-Collar Ring
- I. (1)-Collar Loop
- J. (1)-Chain(XFB4405CHCHA4MM)
- K. (1)-Ground Wire
- L. (1)-Frame
- M. (1)-Dish; Ø4" 11mm hole (XFB4405CHDIBOB4IN)
- N. (3)-Finial (XFB4405CHFIN)
- O. (4)-Candle Sleeve; h3" (XFB4405CDL3IN)
- P. (4)-Bobèche; Ø4" 26mm hole (XFB4405CHBOB4IN)
- Q. ()-Rosette

