

CRYST RAMA

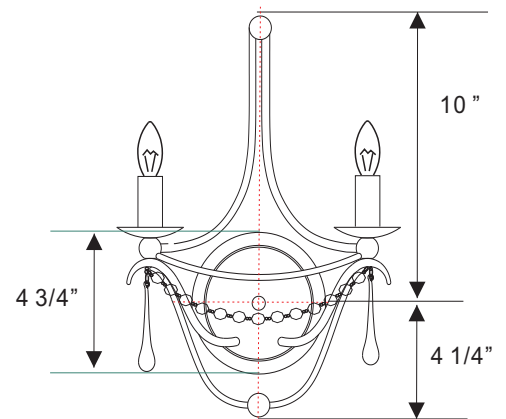
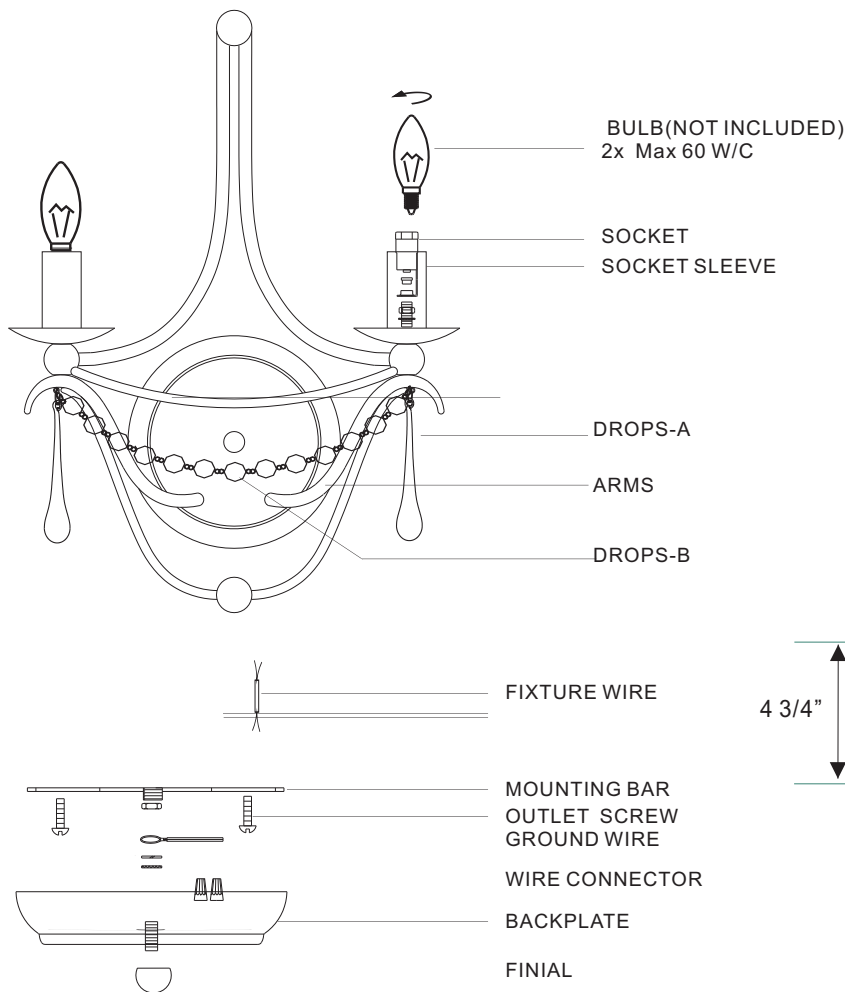
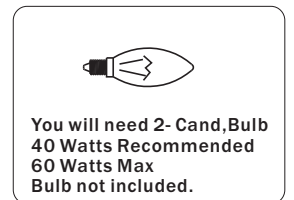
1958

95 Cantiague Rock Road, Westbury NY 11590
 ph:516.931.9090 fax:516.931.1254
 info@crystorama.com • www.crystorama.com

MODEL#:422-SA ASSEMBLY AND DRESSING INSTRUCTIONS



All electrical components must be installed by a licensed electrician in accordance with the National Electric Code and the appropriate local electrical codes.



DROPS-A=		(18mm*100mm x1pcs)	X 2 Sets
DROPS-B=		(10mm x13pcs)	X 2 Sets