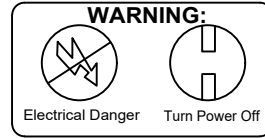
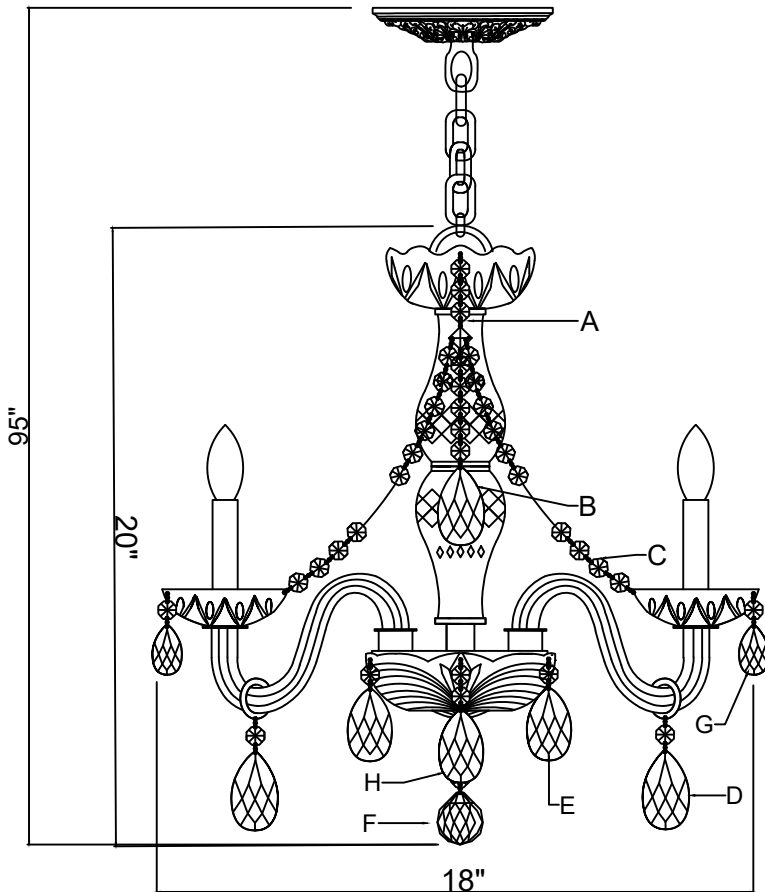


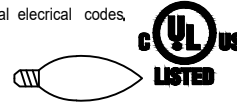
CRYSTORAMA

LIGHTING THE WAY FOR SIXTY YEARS

ASSEMBLY INSTRUCTION MODEL #1061-CH-CL-MWP



All electrical components must be installed by a licensed electrician in accordance with the National Electric Code and the appropriate local electrical codes.



You will need 5-Candelabra Base Bulb
40 Watts recommended 60 Watts Max.
USE LED BULBS FOR EXTENDED USE

The fixture is Dry rated

HOW TO INSTALL:

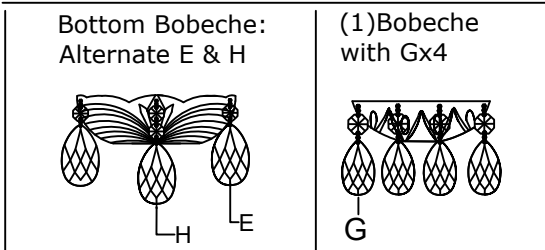
Place the fixture parts on a soft cloth-covered platform before installation of fixture.

1. Screw the Center column kit onto the distributor box.
2. Place the bottom bowl and check ring in that order, over the bottom distributor box. Secure with the finial.
3. To install the glass arms, slightly loosen each screw on the top plate over the distributor box. Pull a female plug through a hole in the plate. Connect the male plug at the end of the arm with the female plug that was just pulled. Push the end of the arm with the metal tab through the hole until stopped by the metal tab (this should also push the wires and plugs back inside the metal plate). Twist the metal tab counter-clock wise until both inserts lock onto the loose screws. Tighten the screw securing the arm in place. Repeat for all arms.
4. Put the bobèche over the socket.
5. Attach the mounting bar onto the outlet box.
6. Decide the desired hanging height and adjust the chain to the correct length.
7. Raise the fixture up and do the wire connection. Attach the canopy over the mounting bar and secure with collar ring.
8. Dress the crystals as illustrated.

Crystal Sets

- A. 5 Sets. (3)14mm + (1) Square
- B. 5 Sets. (5)14mm + AS9-2.5"
- C. 10 Sets. (15)14mm
- D. 5 Sets. (1)Ring +(1)14mm + AS9-2.5"
- E. 5 Sets. (1)14mm + AS9-2.5"
- F. 1 Piece. (1)14mm + (1)22mm + AS8-40mm Ball
- G. 20 Sets. (1)14mm + AS9-2"
- H. 5 Sets. (2)14mm + AS9-2.5"

DETAILED ILLUSTRATION

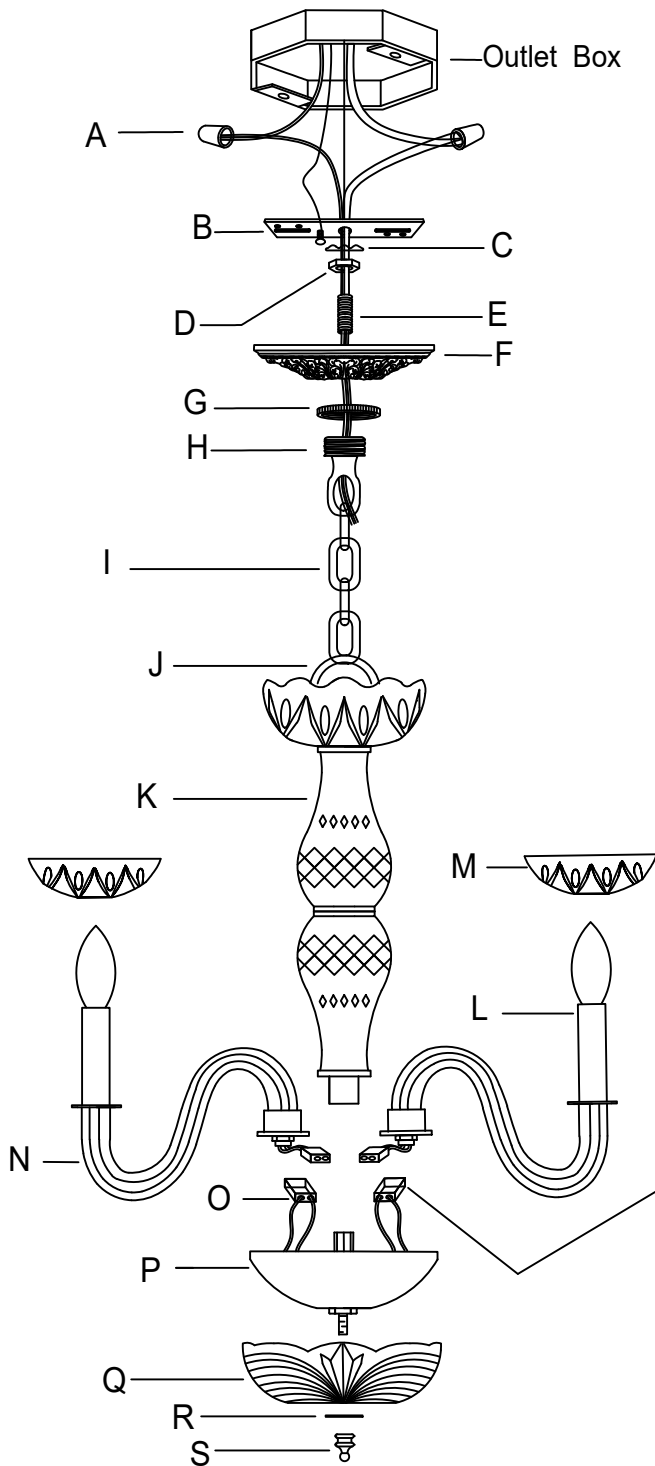


WARNING: This product can expose you to Lead, which is known to the State of California to cause cancer and/or birth defects or reproductive harm. For more information go to www.p65warnings.ca.gov

CRYSTORAMA

LIGHTING THE WAY FOR SIXTY YEARS

PART NUMBER MODEL 1061-CH-CL-MWP



Part Number

Part Numbers

- A. (2)-Wire Connector
- B. (1)-Mounting Bar
- C. (1)-Lock Washer
- D. (1)-Hex Nut
- E. (1)-Nipple
- F. (1)-Canopy (W5"xH1")-XSN1061CHCAN5IN
- G. (1)-Collar Ring
- H. (1)-Collar Loop
- I. (1)-Chain(4mmx72")-XSN1061CHCHA4MM
- J. (1)-Center Column Kit Loop
- K. (1)-Center Column Kit
Top Bobeche; Ø5", 5pin, 24mm center hole.
-XSN1061CHBOB5PN
Glass Vase x 2pieces ;H5"
- L. (5)-PVC Candle Sleeve
- M. (5)-Bobeche ; Ø4", 4pin, 24mm center hole.
-XSN1061CHBOB4PN
- N. (5)-6" Arms-XSN500CHARM6INKD
- O. (5)-Female Plug
- P. (1)-Distributor Box
- Q. (1)-Bottom Bowl; Ø6", 10 pin, 13mm center hole.
- R. (1)-Check Ring ; Ø1 3/8"
- S. (1)-Finial-XSN1061CHF1N