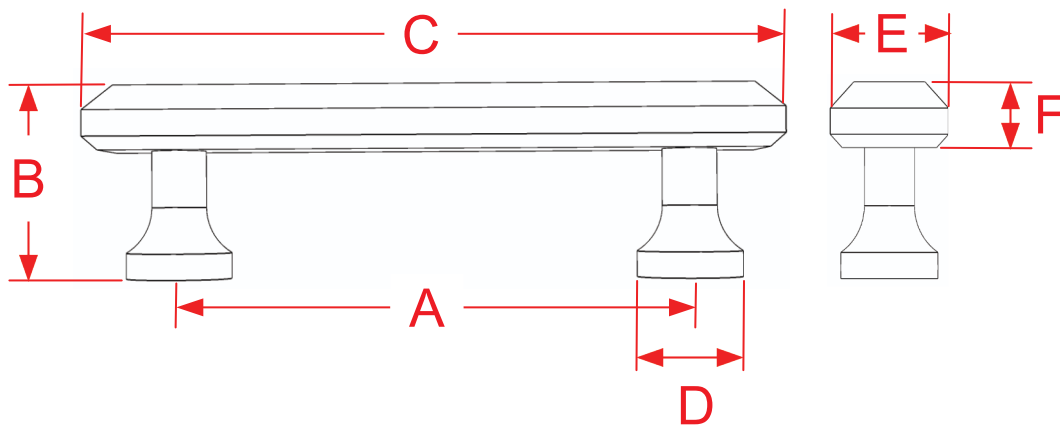


# 276 Series Appliance & Door Pulls

Finishes for Life  
TARNISH-FREE GUARANTEED



Part #	A Center to Center	B Projection	C Overall	D Base	E Bar Width	F Bar Height
276-8	8.0000"	1.6875"	10.0000"	0.7500"	1.2500"	0.5000"
276-12	12.0000"	1.6875"	16.0000"	0.7500"	1.2500"	0.5000"
Custom Sizing Available						



Manufacturing Fine Architectural Hardware  
in the USA Since 1927



Copyright 2015  
Colonial Bronze Company  
All rights reserved  
[www.colonialbronze.com](http://www.colonialbronze.com) -  
860.489.9233